

Key:

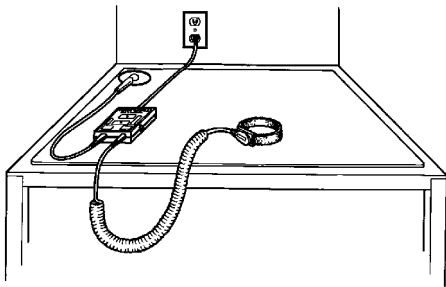
- A. 10mm (.395 in.) male snap to ground mats.
- B. Molded in green and yellow thermoplastic elastomer.
- C. High flex strand copper, 20 gauge, with PVC insulated jacket. Green insulation with yellow stripe. OD = .107"
- D. Barrel type banana plug. Crimped uniformly from 4 sides for maximum strength. Fits industry standard banana jack .166" (4.2mm).

E. Brass crimp secures conductors and provides stress relief.

F. Desco logo molded onto top of shroud.

G. Date coded to show month and year of manufacture. Arrow points to month of manufacture (12:00 = December), numerals indicate the year (03 = 2003)

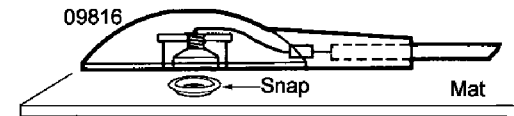
H. 6-32 x 1/4" flat head screw and countersunk washer allows floor mat ground to be bolted to mat.



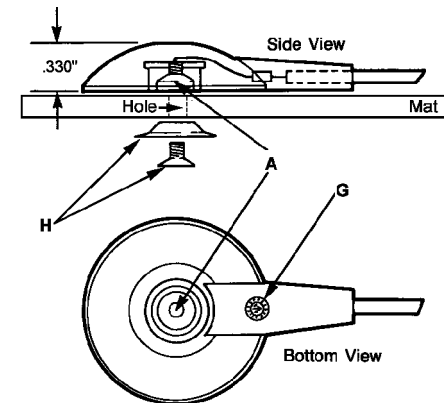
Item 09816 grounds and monitors work surface mat to your 98210/19210 Workstation Monitor.

Installation Procedure Options

1. Using existing snap on mat
 - A. Remove screw from the 09816.
 - B. Attach 09816 to 10mm snap socket on mat.



2. Permanent securing of 09816 with supplied washer and screw
 - A. Remove screw from the 09816.
 - B. Puch hole through mat using 3/8" diameter hole punch.
 - C. Use supplied counter sunk washer and screw to secure 09816 to mat.



GROUND CORD, THREADED 10MM SNAP STUD, BANANA PLUG



DESCO WEST: 3651 WALNUT AVE., CHINO, CA 91710 WEB SITE: www.desco.com
 PHONE (909) 627-8178 FAX (909) 627-7449 FAX REQUEST (909) 627-7126
 DESCO EAST: 90 HUDSON RD, CANTON, MA 02021-1407
 PHONE (781) 821-8370 FAX (781) 575-0172

DRAWING NUMBER
09816

DATE:
07/04