



SERIES R1973 SWITCHES

ROCKER SWITCHES - ILLUMINATED



SPECIFICATIONS

Contact Rating:	9A@125 VAC (cURus) 6A@250 VAC
Life Expectancy (Mechanical):	30,000 cycles
Life Expectancy (Electrical):	10,000 cycles
Contact Resistance:	20 mΩ max., initial @ 2-4 VDC
Insulation Resistance:	>1,000MΩ
Dielectric Strength:	>1,500 VAC, terminal to terminal >3,000 VAC, terminal to case
Operating Temp:	-30°C to 55°C
Safety Standard Approval:	cURus

MATERIALS

Body:	Nylon 6/6 (UL94 V-2)
Rocker:	Polycarbonate (UL94 V-2)
Contact Surface:	Coin silver, silver plated
Terminal:	Silver plated copper alloy
Illuminated Rockers:	Neon lamp or Incandescent bulb

FEATURES & BENEFITS

- ▶ Industry standard panel cut-out size
- ▶ Single & double pole options
- ▶ Fully illuminated actuator option

APPLICATIONS/MARKETS

- ▶ Audio/Visual
- ▶ Consumer Electronics
- ▶ Test/instrumentation

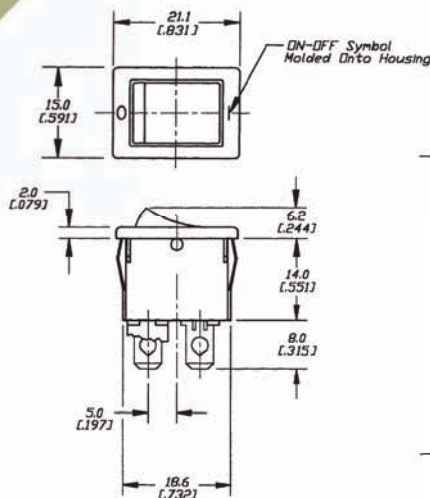
HOW TO ORDER

SERIES	CIRCUIT	HOUSING COLOR	ACTUATOR COLOR	MARKING	TERMINATION	LAMP VOLTAGE
R1973	<input type="checkbox"/>	<input type="checkbox"/>	<input type="checkbox"/>	<input type="checkbox"/>	<input type="checkbox"/>	<input type="checkbox"/>
	A = SPST B = DPST	BLK = Black WHT = White GRY = Grey	BLK = Black WHT = White GRY = Grey RED = Red ORG = Orange YIL = Yellow ILL. GIL = Green ILL. RIL = Red ILL. BIL = Blue ILL.	A B C D E F G H I J K L	F = Faston R = Rt. Angle PC Pin L = Left Angle PC Pin	0 = No Lamp 1 = 125V AC ¹ 2 = 250V AC ¹ 3 = 12V DC ² 4 = 24V DC ² 6 = 6V DC ² ¹ Neon Bulb ² Incandescent Bulb

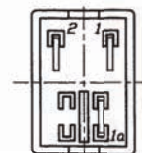
▶ ▶ ▶ Example Ordering Number
R1973-B-BLK-RED-E-F-2

Specifications subject to change without notice.

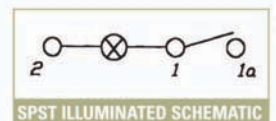
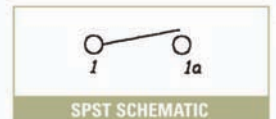
A SPST



Bottom View



Circuit	POS 1	POS 2
SPST	ON	OFF
Term. Comm.	1-1a	OPEN





SERIES R1973 SWITCHES

ROCKER SWITCHES - ILLUMINATED

TACT SWITCHES

NAVIGATION SWITCHES

PUSHBUTTON SWITCHES

TOGGLE SWITCHES

ROCKER SWITCHES

SLIDE SWITCHES

SNAP-ACTION SWITCHES

DIP SWITCHES

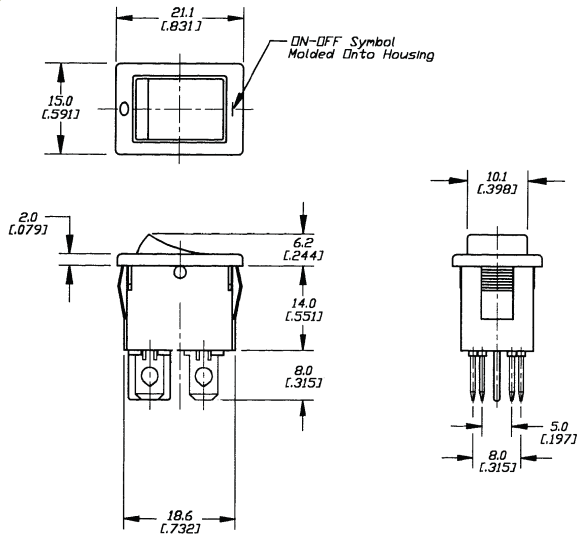
KEYLOCK SWITCHES

ROTARY SWITCHES

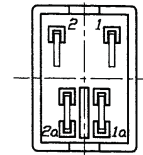
DETECTOR SWITCHES

CAP OPTIONS

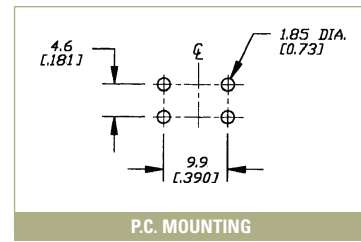
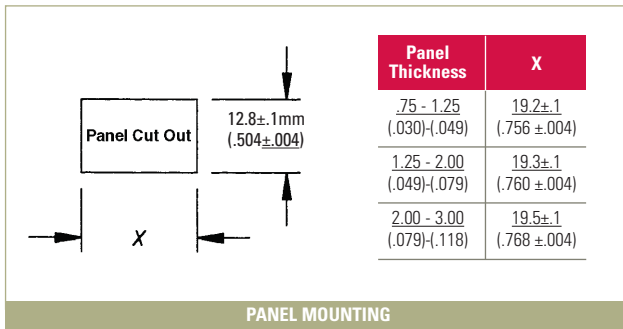
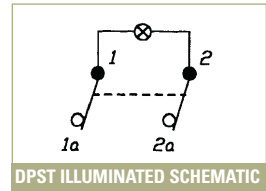
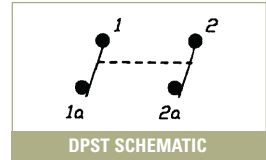
B DPST



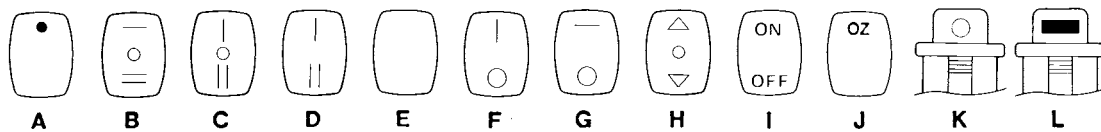
Bottom View



Circuit	POS 1	POS 2
DPST	ON	OFF
Term. Comm.	1-1a, 2-2a	OPEN



MARKING OPTIONS



TERMINATION OPTIONS

