

F

E

D

C

B

A

F

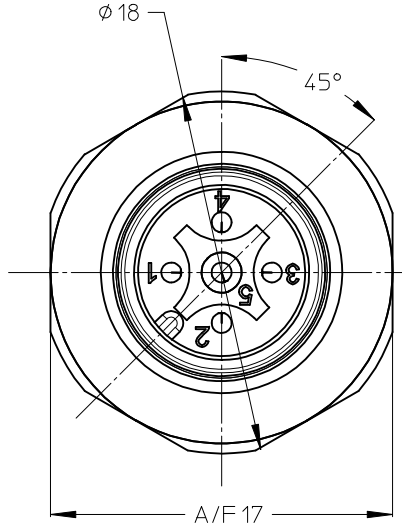
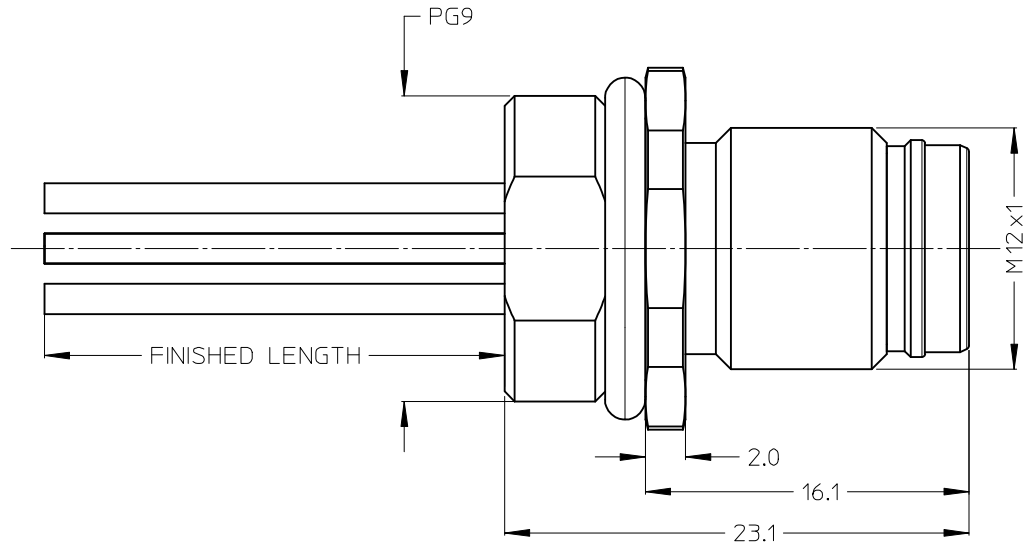
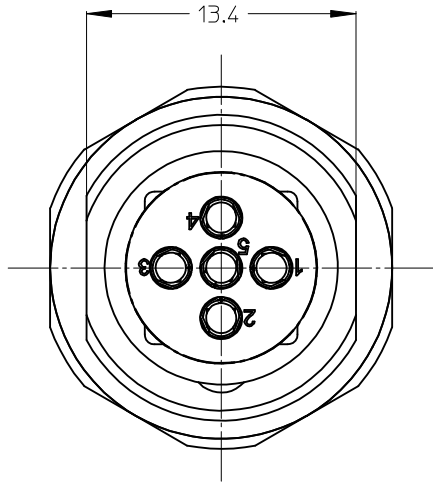
E

D

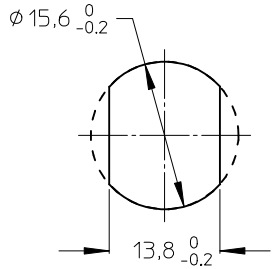
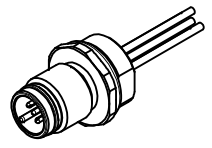
C

B

A



VOLTAGE RATING 250VAC/VDC
 AMPERAGE RATING 4A
 PROTECTION IP 67/68/69
 OPERATING TEMPERATURE -25°C / +90 °C
 UL CERTIFICATION FILE NO. E152210
 CAS CERTIFICATION FILE NO. LR6837



Contact configuration	wire colour	wire mm ²	Port
M12 connector 	brown	0.34	1
	white	0.34	2
	blue	0.34	3
	black	0.34	4
	green/yellow	0.5	5

POL MATERIAL NO. ENGINEERING NO. FINISHED LENGTH
 4 1200845109 WR5J26E03C3003 300±10

ITEM	COMPONENT	MATERIAL	FINISH
1	REC SHELL	BRASS	NICKEL PLATED
2	INSERT	PA 66 GF 25	BLACK
3	CONTACT	BRASS	Ni Au
4	CABEL	PVC	DIVERSE COLOR
5	O-RING	NBR70	BLACK
6	POTTING MATERIAL	WEVO	---

ENTER DESCRIPTION EC NO: IPG2014-0351 DRWN:BBRAUCH 2013/09/26 CHKD:APOHL 2013/10/16 APPR:CBURGER 2014/01/31	DESCRIPTION
	REV

QUALITY SYMBOLS
▽=0
∇=0

GENERAL TOLERANCES (UNLESS SPECIFIED)	mm	INCH
	4 PLACES ± --- ± ---	3 PLACES ± --- ± ---
DRAFT WHERE APPLICABLE MUST REMAIN WITHIN DIMENSIONS	2 PLACES ± 0.05 ± ---	1 PLACE ± 0.1 ± ---
	0 PLACE ± 0.2 ± ---	ANGULAR ± 1 °

DIMENSION STYLE MM ONLY	
DRAWN BY APOHL_WEU	DATE 2010/01/29
CHECKED BY	DATE
APPROVED BY FPACHER	DATE 2010/02/01
MATERIAL NO. see table	

SCALE 4:1	DESIGN UNITS METRIC	THIRD ANGLE PROJECTION
TITLE REC U12 5P AC MA STR PVC 0.3M PG9 FM WIR SE UNSH BRA AU		
DOCUMENT NO. SD-120084-026		SHEET NO. 1 OF 1
THIS DRAWING CONTAINS INFORMATION THAT IS PROPRIETARY TO MOLEX INCORPORATED AND SHOULD NOT BE USED WITHOUT WRITTEN PERMISSION		