

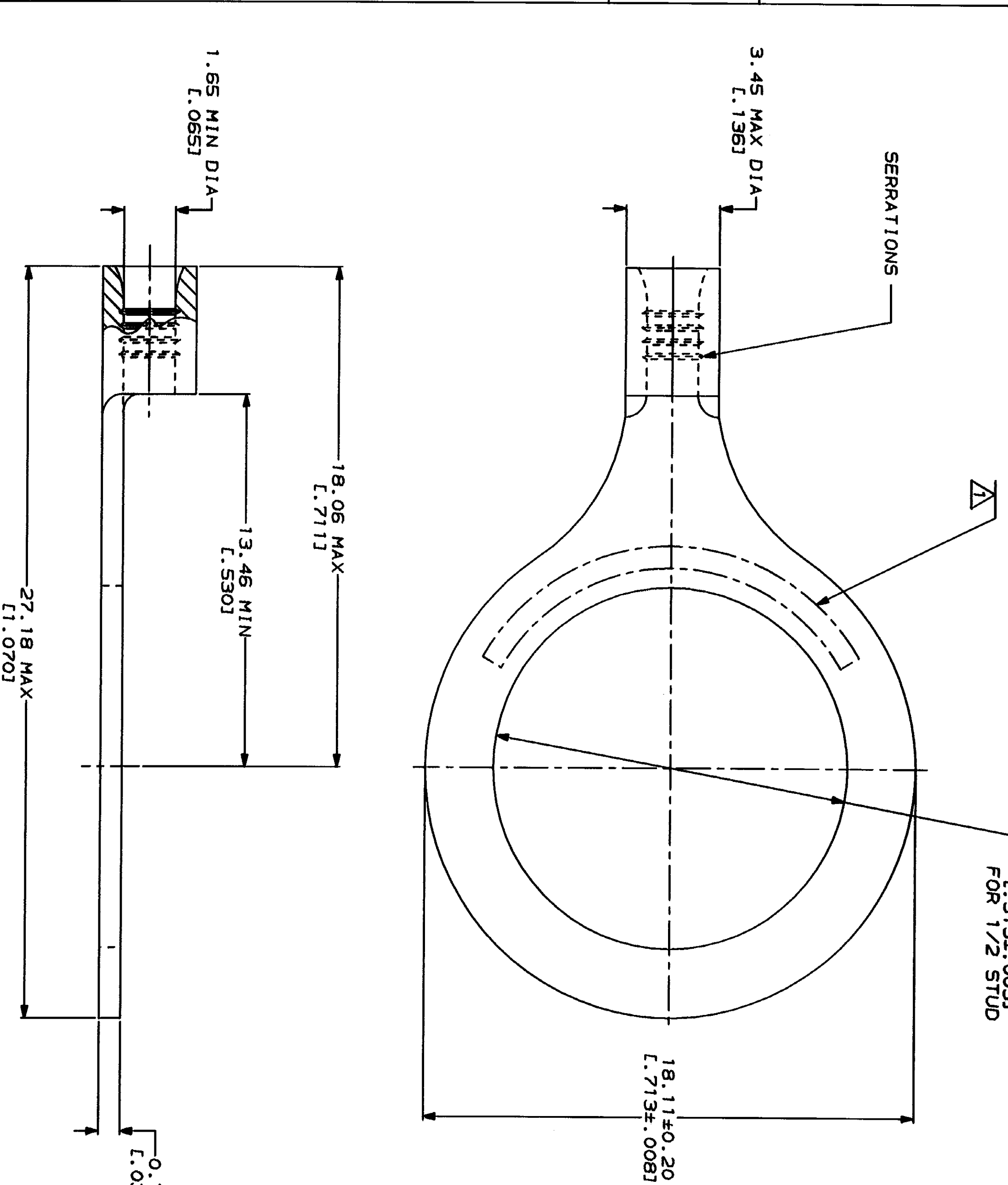
LOG	DIST	ZONE	LTH	DESCRIPTION	DATE	APPD
G	14			REVISED PER 0720-0230-93		

METRIC
DIMENSIONS LISTED IN mm [INCHES]

WIRE RANGE	UL E13288 Listed
22-16 AWG STRANDED	22-16 AWG STRANDED

● LR7189 Certified	MILITARY P/N AND CLASS
○ NOT CERTIFIED	NOT APPLICABLE

△ STAMP AMP 22-18* APPROX AS SHOWN
22-16 TERMINALS ARE STAMPED 22-18 IN ACCORDANCE WITH MILITARY SPECIFICATION MIL-T-7928, COMMERCIAL WIRE RANGE IS 22-16



AMP INCORPORATED
CUSTOMER SERVICE SYSTEMS

FOR ADDITIONAL PRODUCT INFORMATION OR COPIES OF DRAWINGS AND TECHNICAL DOCUMENTS
1-800-522-6752

FOR APPLICATION TOOLING INFORMATION
1-800-722-1111

MAX RECOMMENDED OPERATING TEMPERATURE: 170°C MAX

VOLTAGE RATING: NOT APPLICABLE

WIRE CROSS SECTIONAL AREA RANGE: 0.26-1.65mm² [509-3,260] CIR MILS STRANDED

DO NOT SCALE PRINT. UNLESS SPECIFIED DIMENSIONS IN mm [INCHES] TOLERANCES ON: 2 PLC DEC # 3 PLC DEC # ANGLES MATERIAL

FINISH: TIN PLATE
0.00254 [L.000100] MIN THK PER MIL-T-10727

DR 2-4-93 TA BRINKMAN
CHK 2-4-93 DA PATTERSON
APPD 2-4-93 DE MILLER
APPD 2-4-93 JL MCKELEY
PRODUCT SPEC

APPLICATION SPEC

AMP INCORPORATED
Harrisburg, PA 17105-3508

TERMINAL, RING TONGUE, BUDGET
CAGE CODE 00779
DRAWING NO C-328970
SCALE 8:1
SHEET 1 OF 1