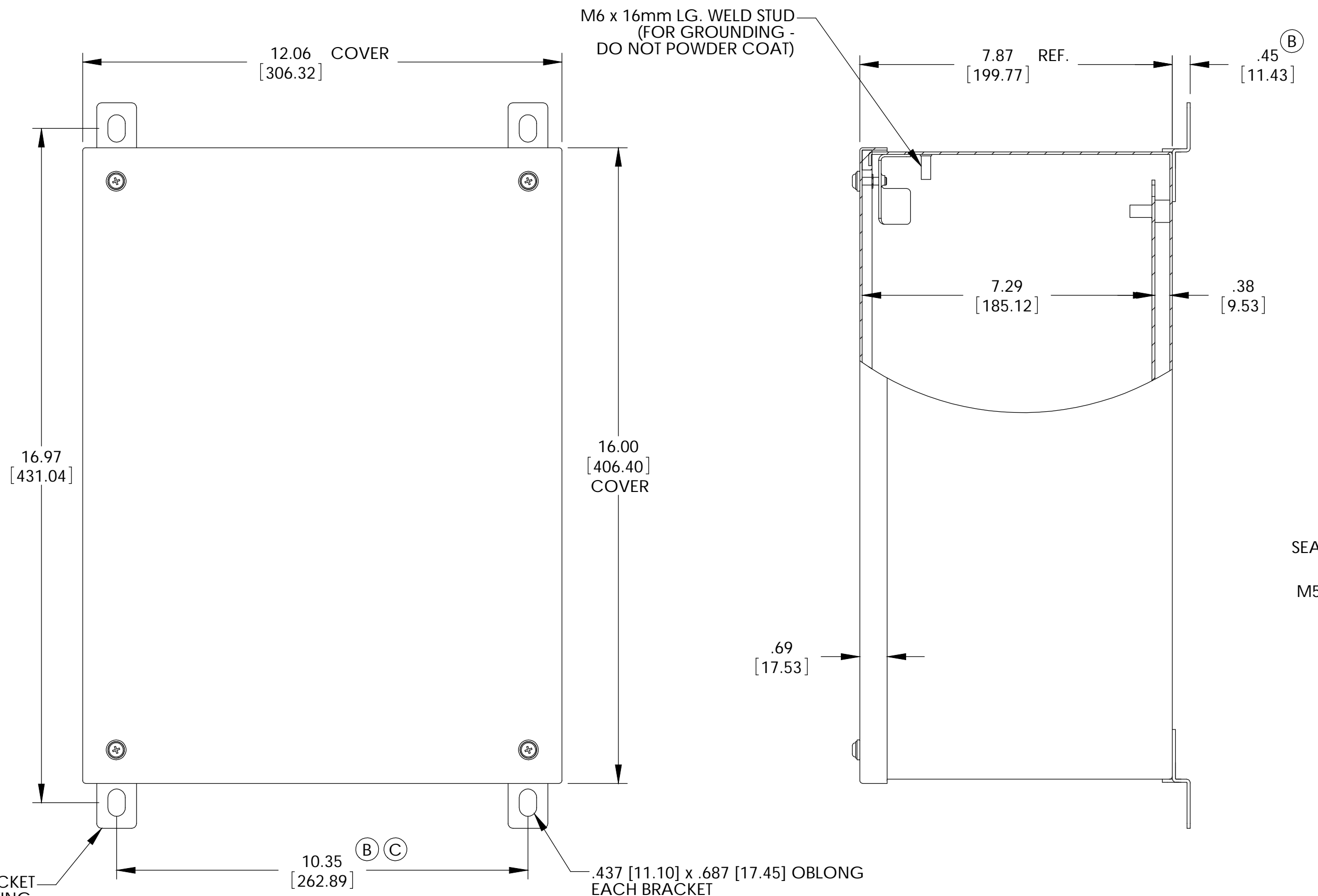


THE INFORMATION CONTAINED IN THIS DRAWING IS THE SOLE PROPERTY OF BUD INDUSTRIES INC. ANY REPRODUCTION IN PART OR WHOLE WITHOUT THE WRITTEN PERMISSION OF BUD INDUSTRIES INC. IS PROHIBITED.

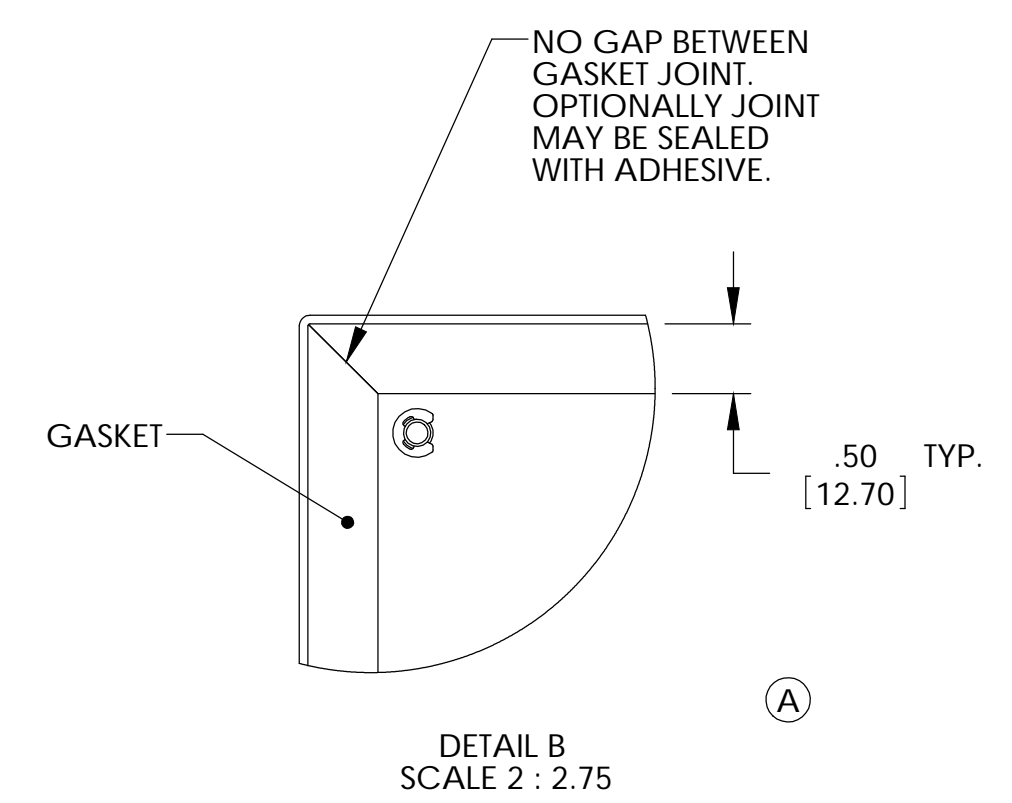
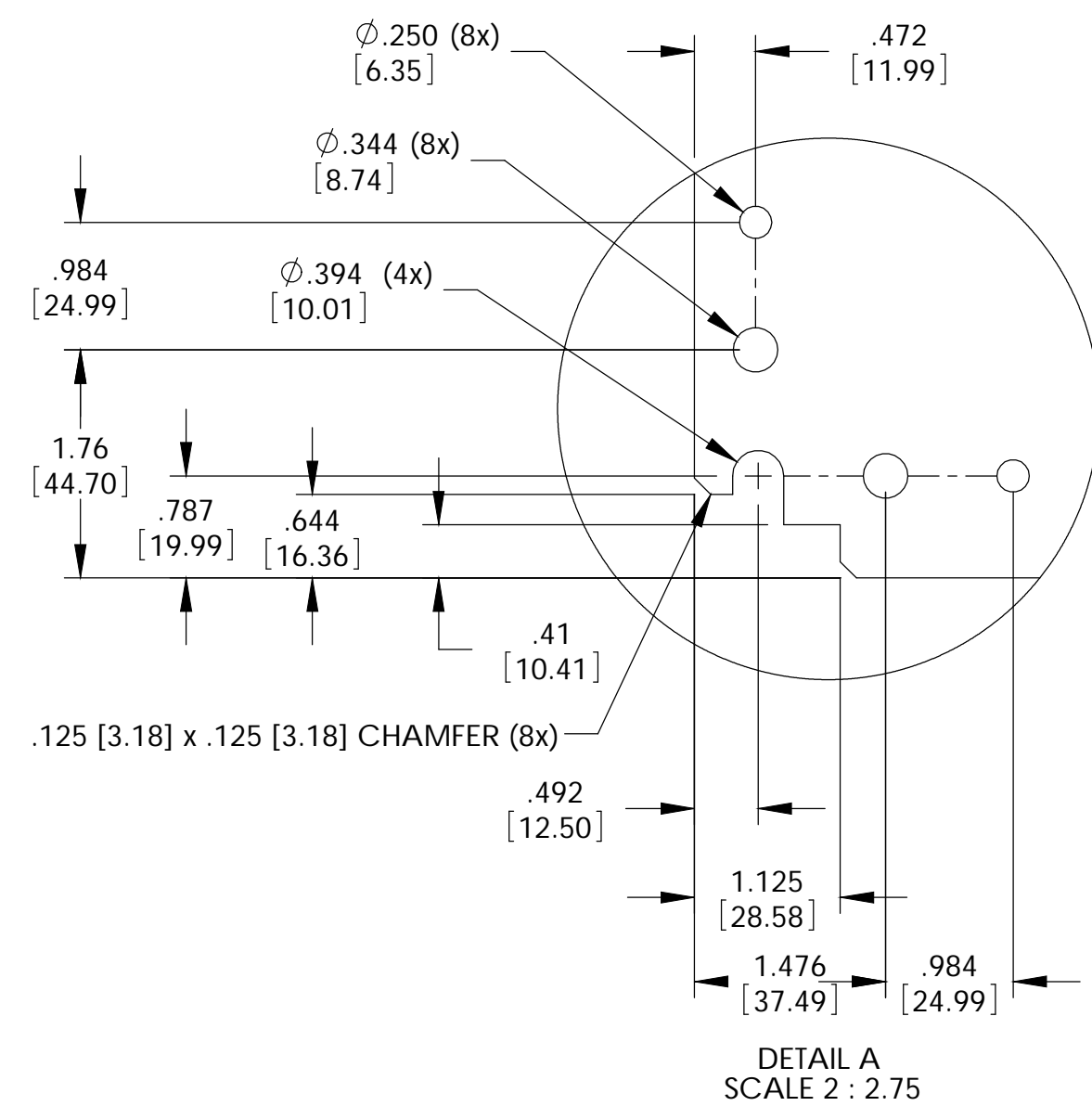
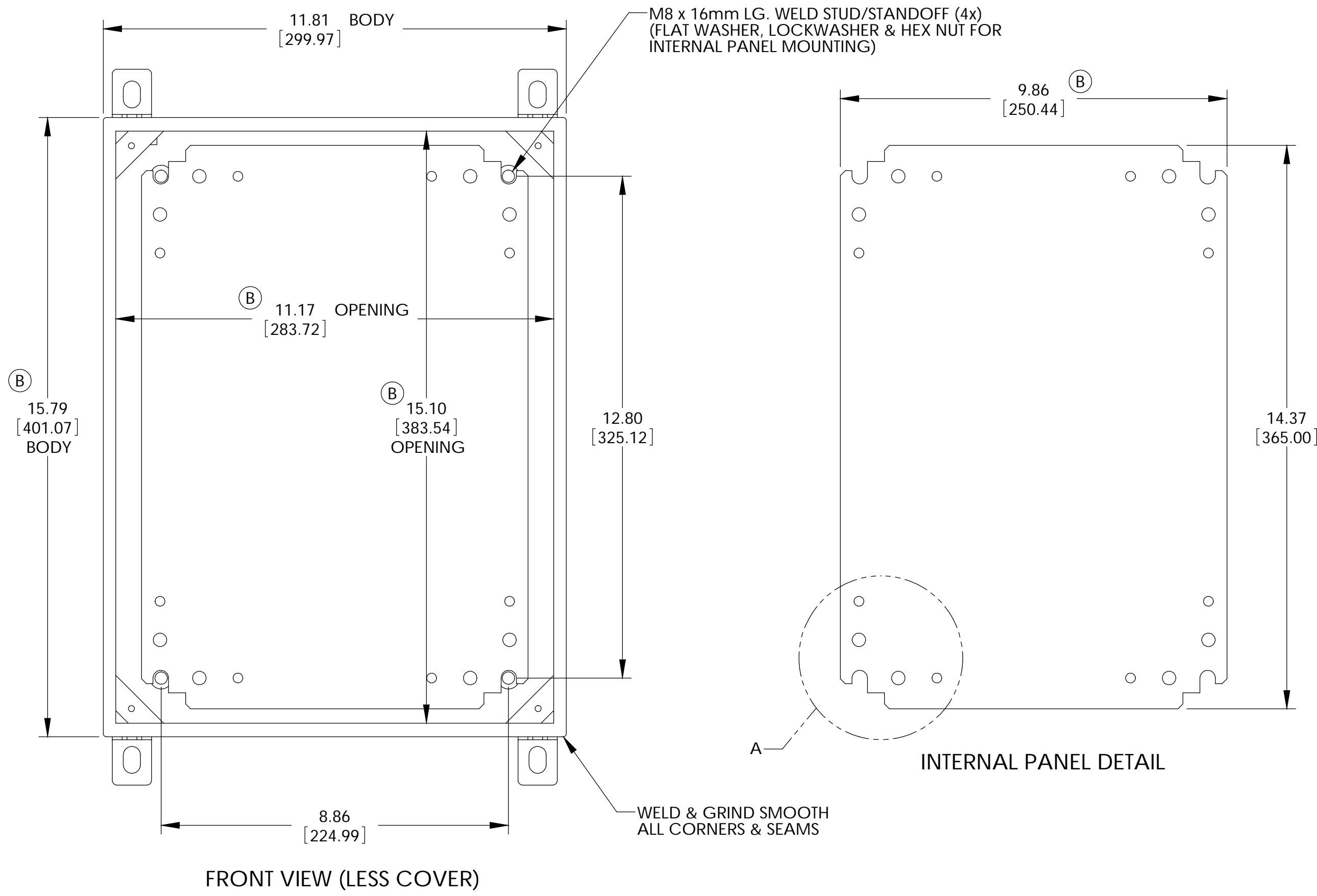
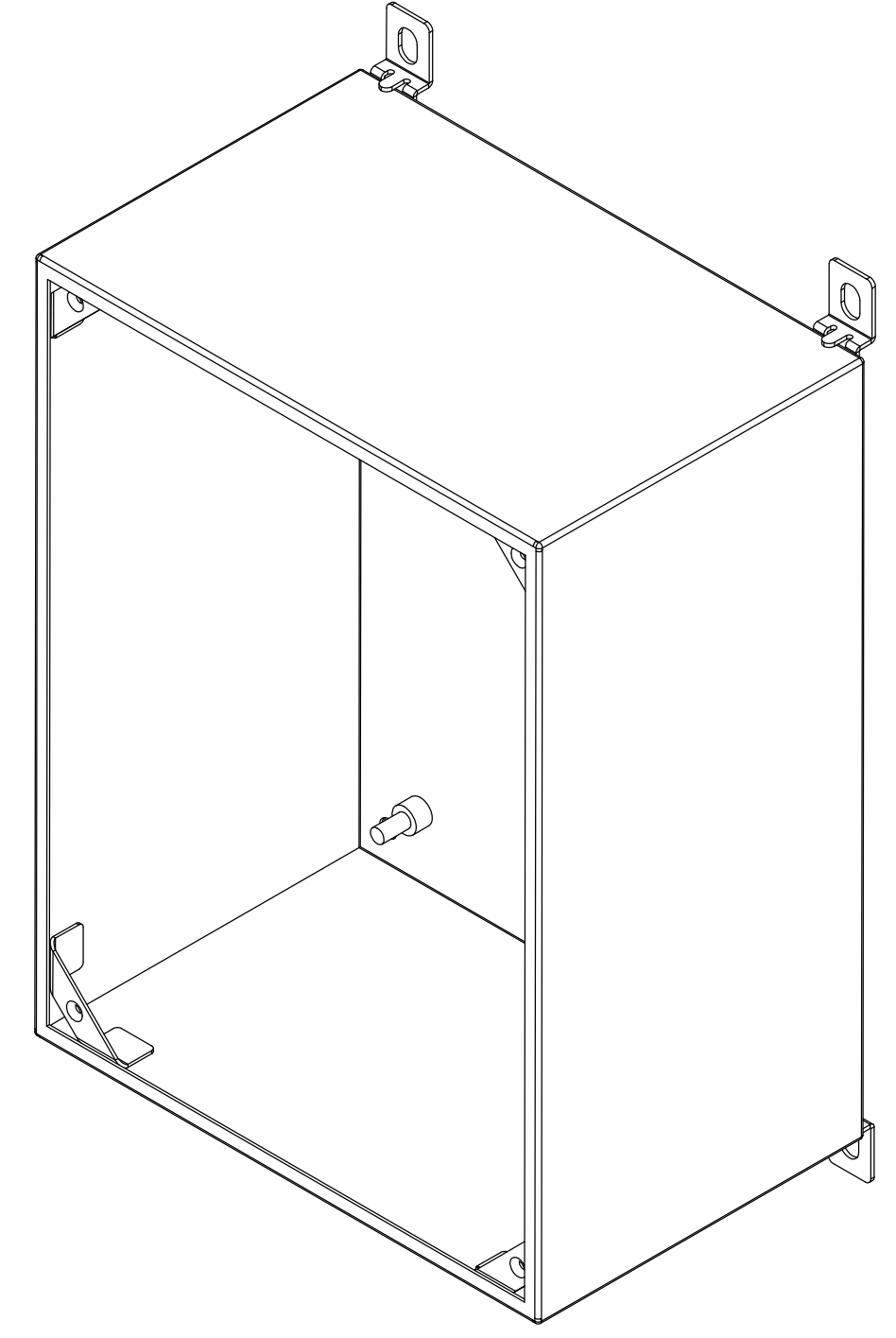
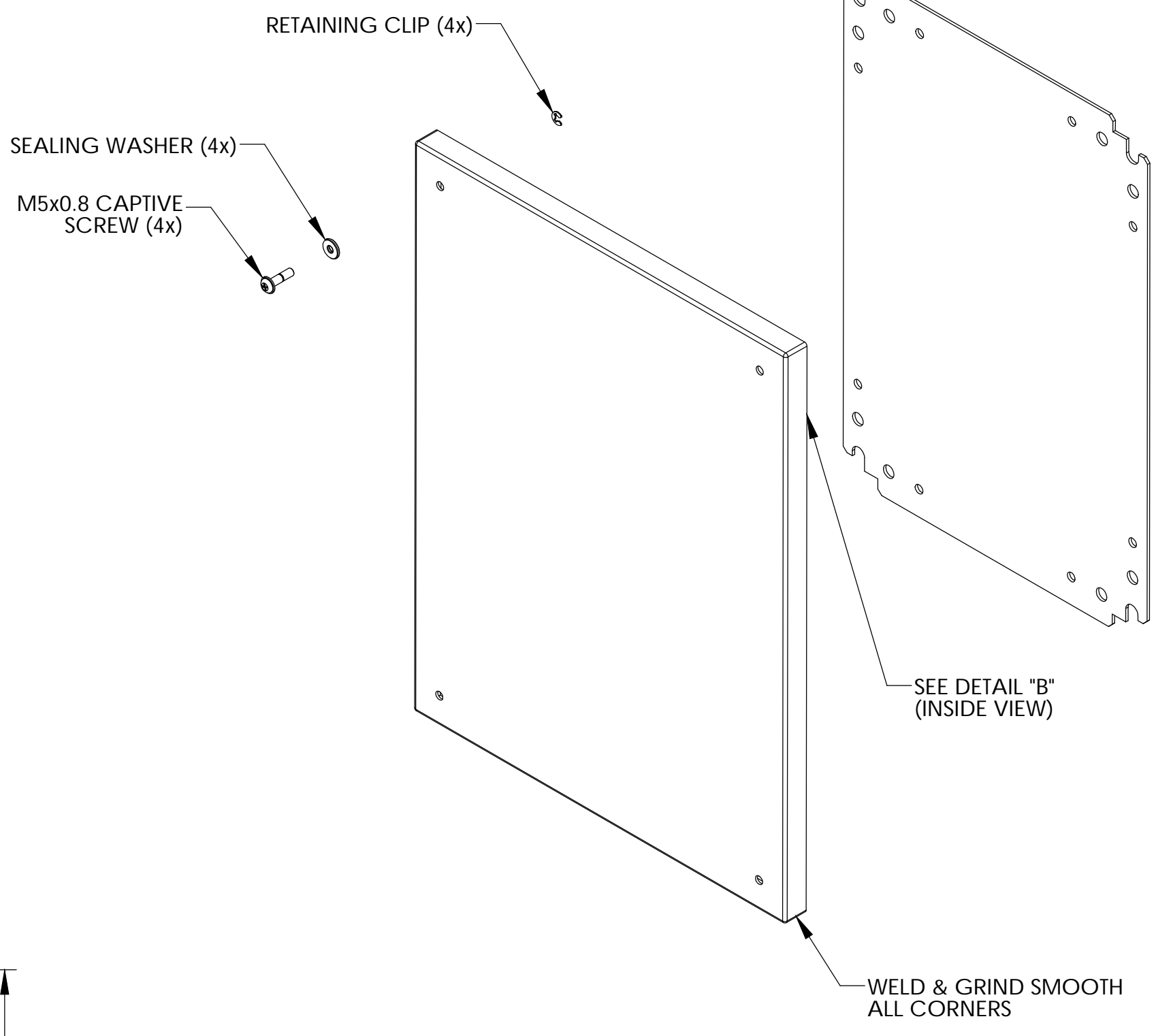
DWG. NO. SNC-3756	
ISSUE	REVISIONS
(A)	REVISED DESIGN 6-30-08 DAB
(B)	PER ECN #10404 12-4-08 DAB
(C)	PER ECN #10446 1-13-09 BT



WALL MOUNTING BRACKET KIT TO CONTAIN THE FOLLOWING:
(4) BRACKETS, (4) BOLTS, (4) SEALING WASHERS, (4) FLAT WASHERS, (4) LOCKWASHERS & (4) HEX NUTS

MATERIAL:
 BODY, COVER MOUNTING BRACKETS, COVER - 16 GA. [1.5mm] C.R.S.
 INTERNAL PANEL - 14 GA. [2.0mm] C.R.S.
 WALL MOUNTING BRACKETS - 14 GA. [2.0mm] STAINLESS STEEL
 HARDWARE - STAINLESS STEEL
 GASKET - .25 [6.35] THICK NEOPRENE (BLACK) OR EQUIVALENT
 SEALING WASHERS - BLACK NEOPRENE OR EQUIVALENT

FINISH:
 BODY & COVER - LIGHT GRAY SMOOTH POWDER COAT
 INTERNAL PANEL - ZINC CHROMATE
 WALL MOUNTING BRACKETS - NATURAL



UNLESS OTHERWISE SPECIFIED ALL DIMENSIONS ARE IN INCHES (MILLIMETERS)		CAD GENERATED DRAWING. DO NOT MANUALLY UPDATE.	
TOLERANCES:	DRAWING	APPROVALS	DATE
FRACTIONS: XX 1/32	DAB		5-5-08
DECIMALS: XXX ± 0.01	CHECKED		
MATERIAL: AS NOTED	APPROVED		
FINISH: AS NOTED			
DO NOT SCALE DRAWING			

PARTS LIST		BUD INDUSTRIES INC.	
QTY.	USED ON	SIZE [DWG. NO.]	REV.
		D	SNC-3756
		SCALE	[CAD FILE]