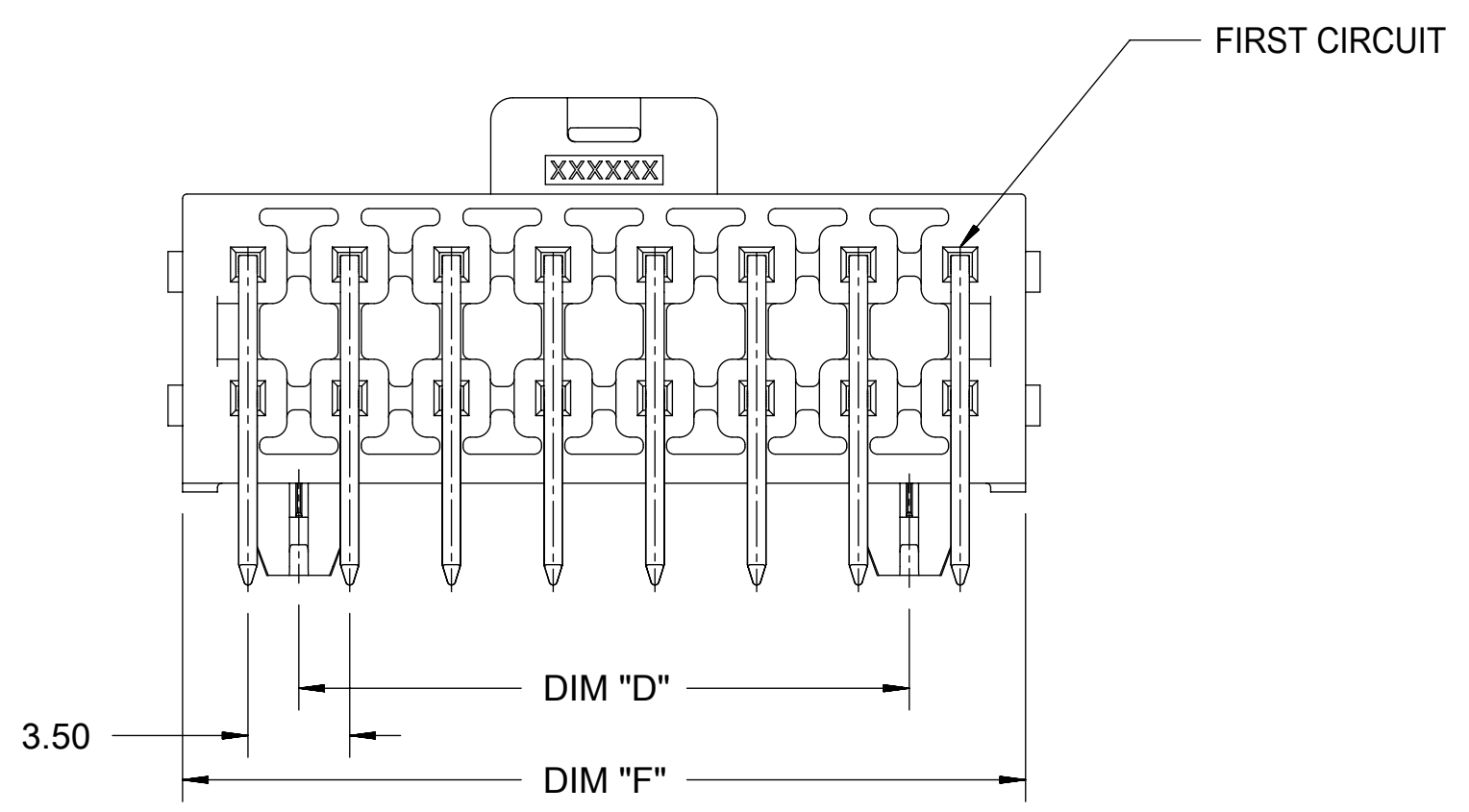
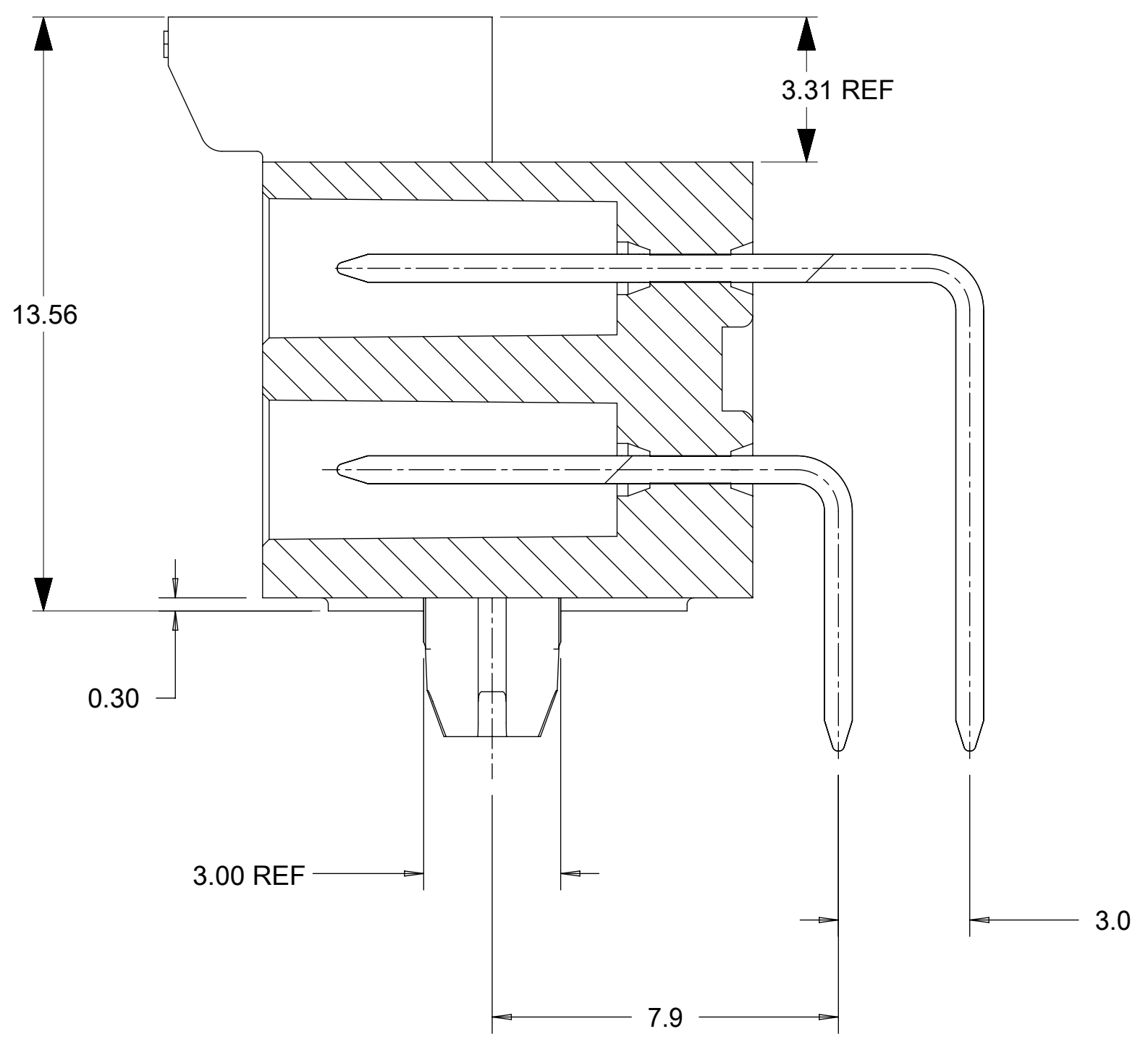
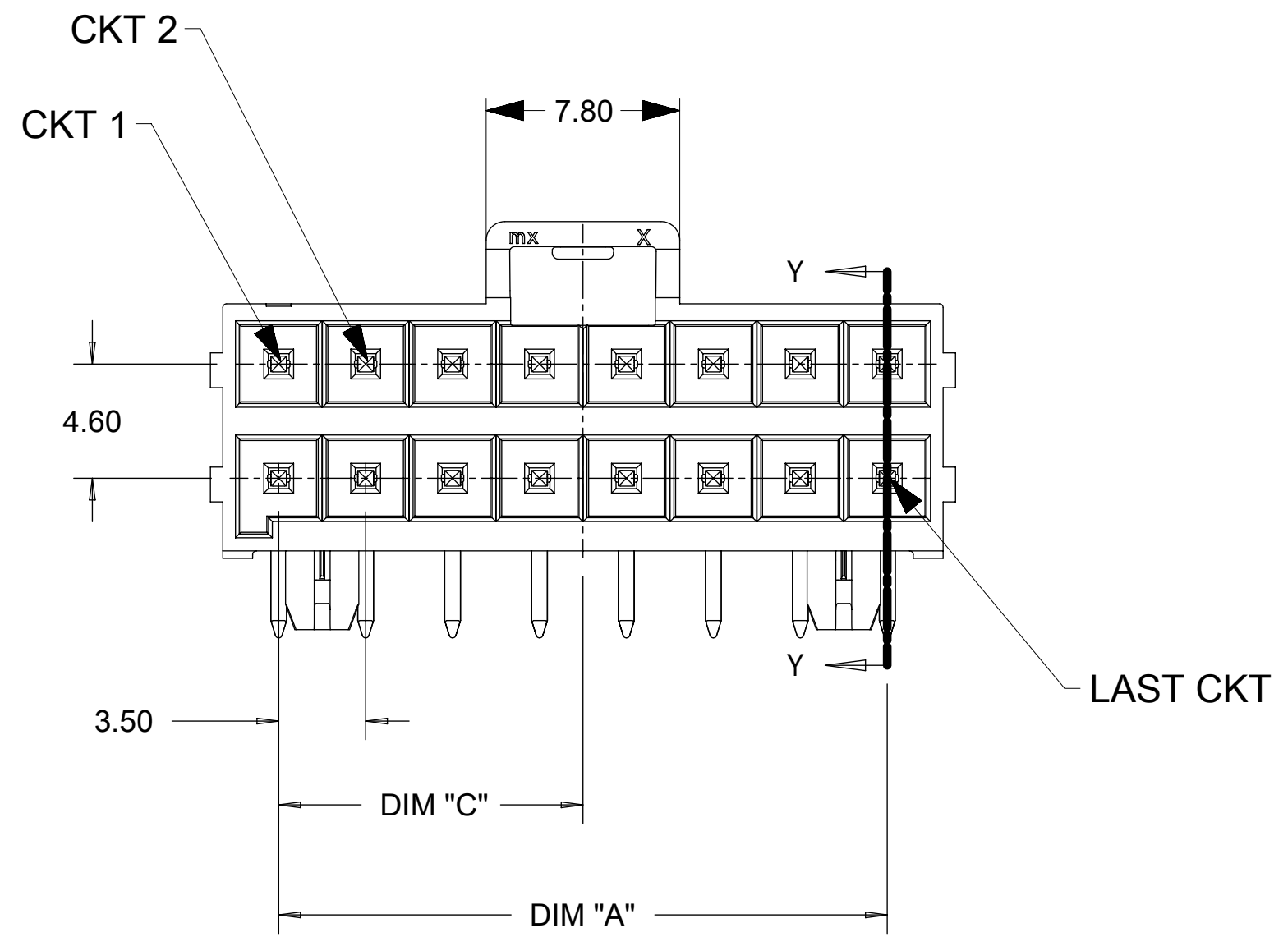


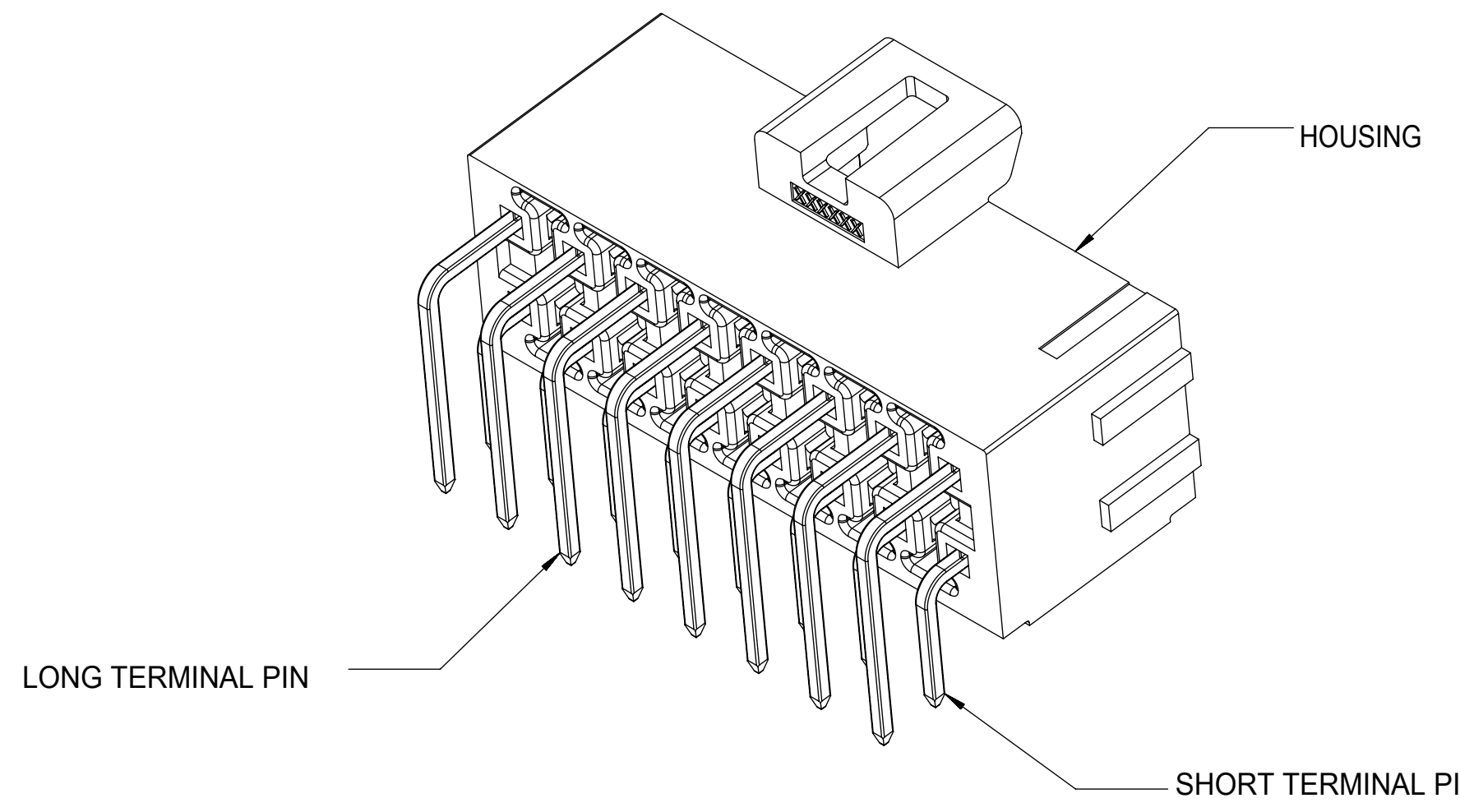
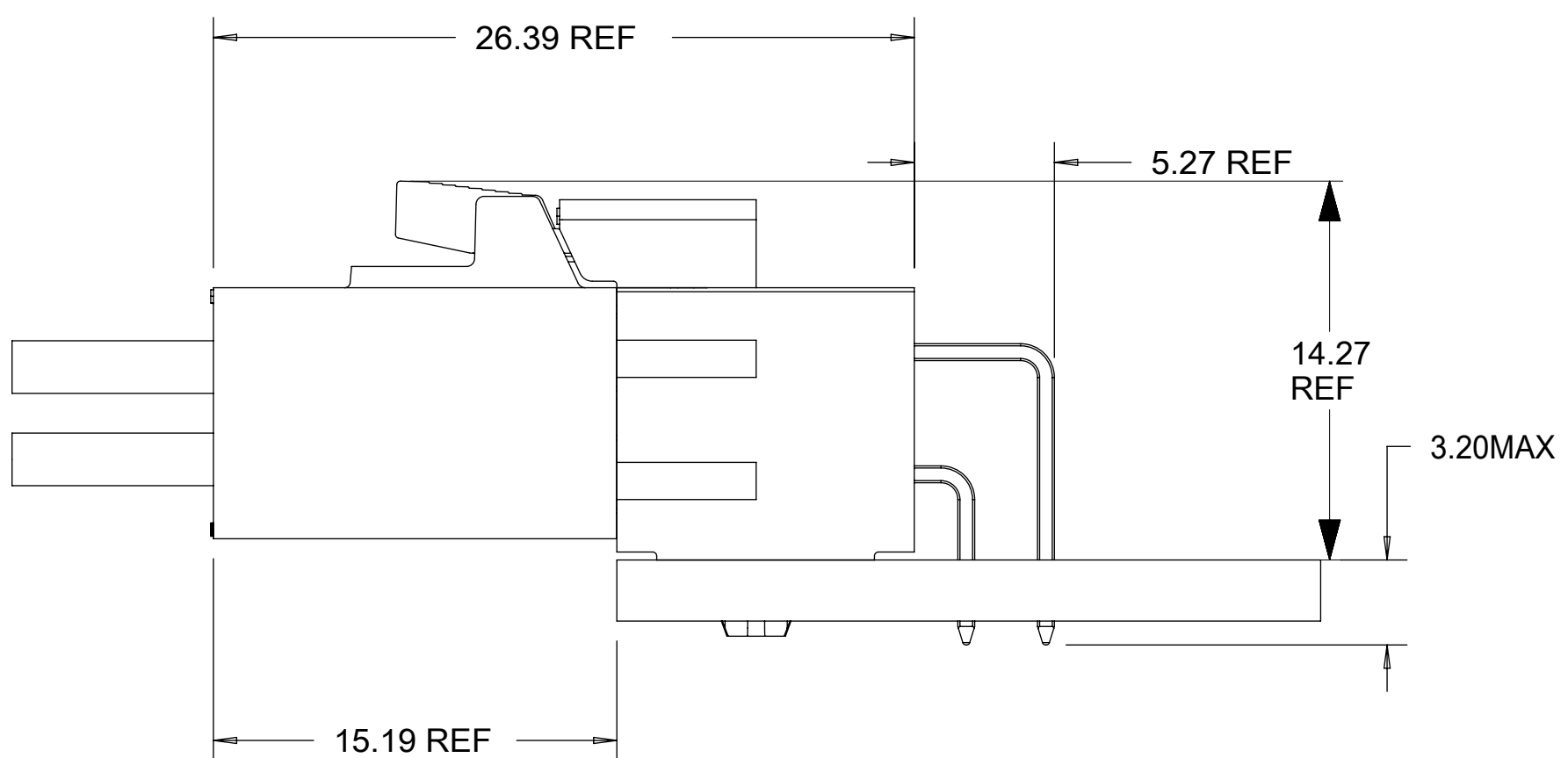
FIRST CIRCUIT MARK  
(NOT SHOWING ON 4  
AND 6 CIRCUITS SERIES)



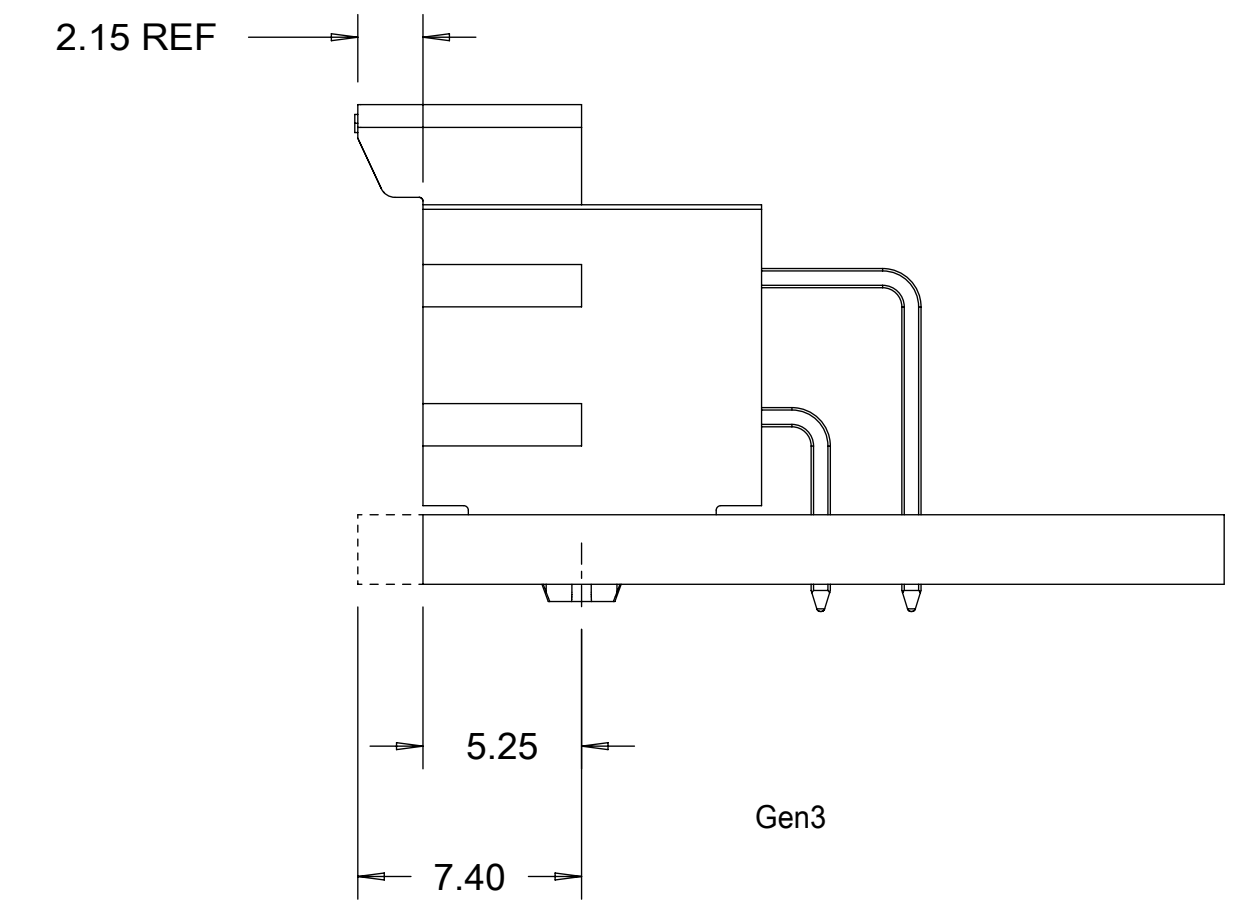
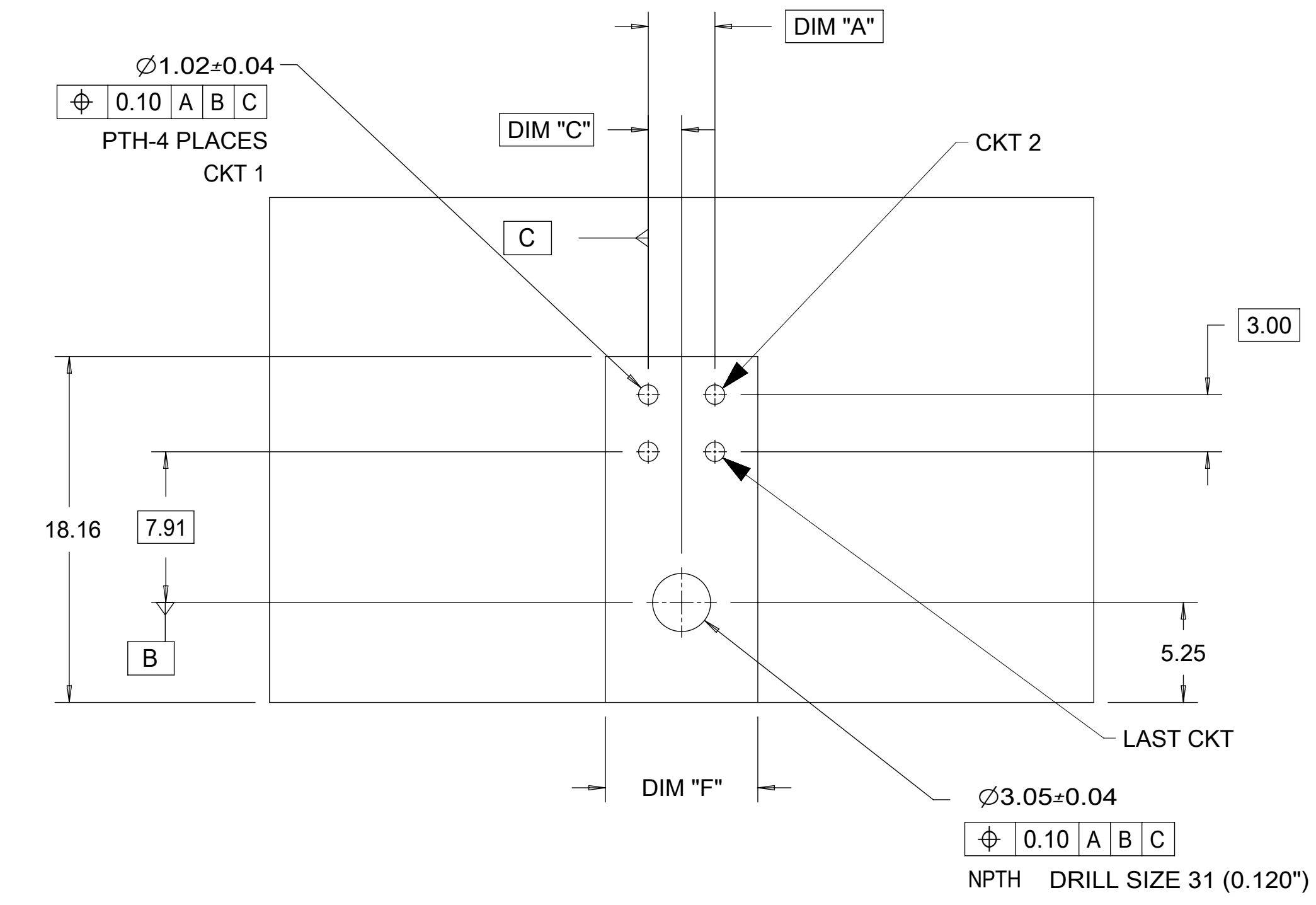
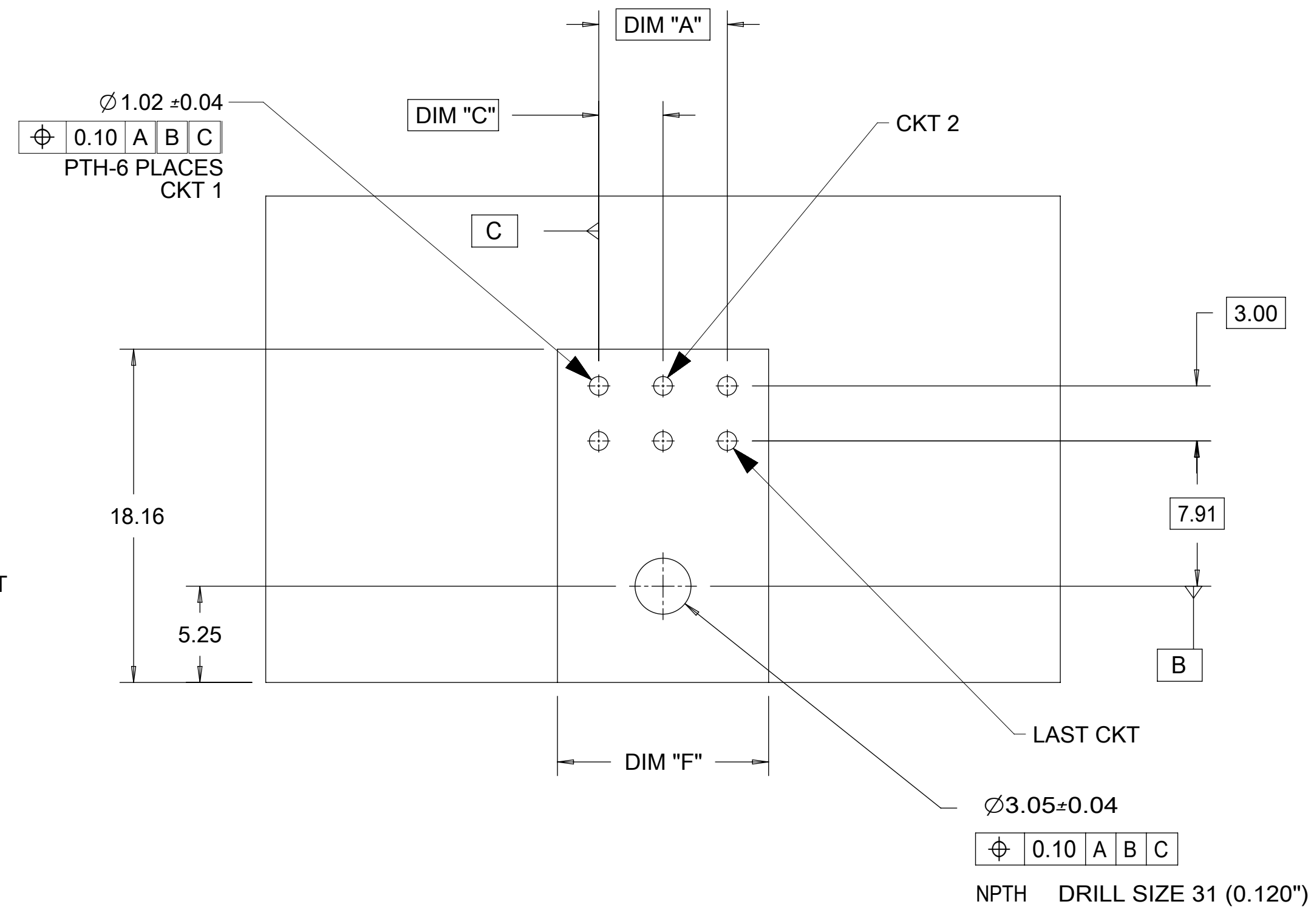
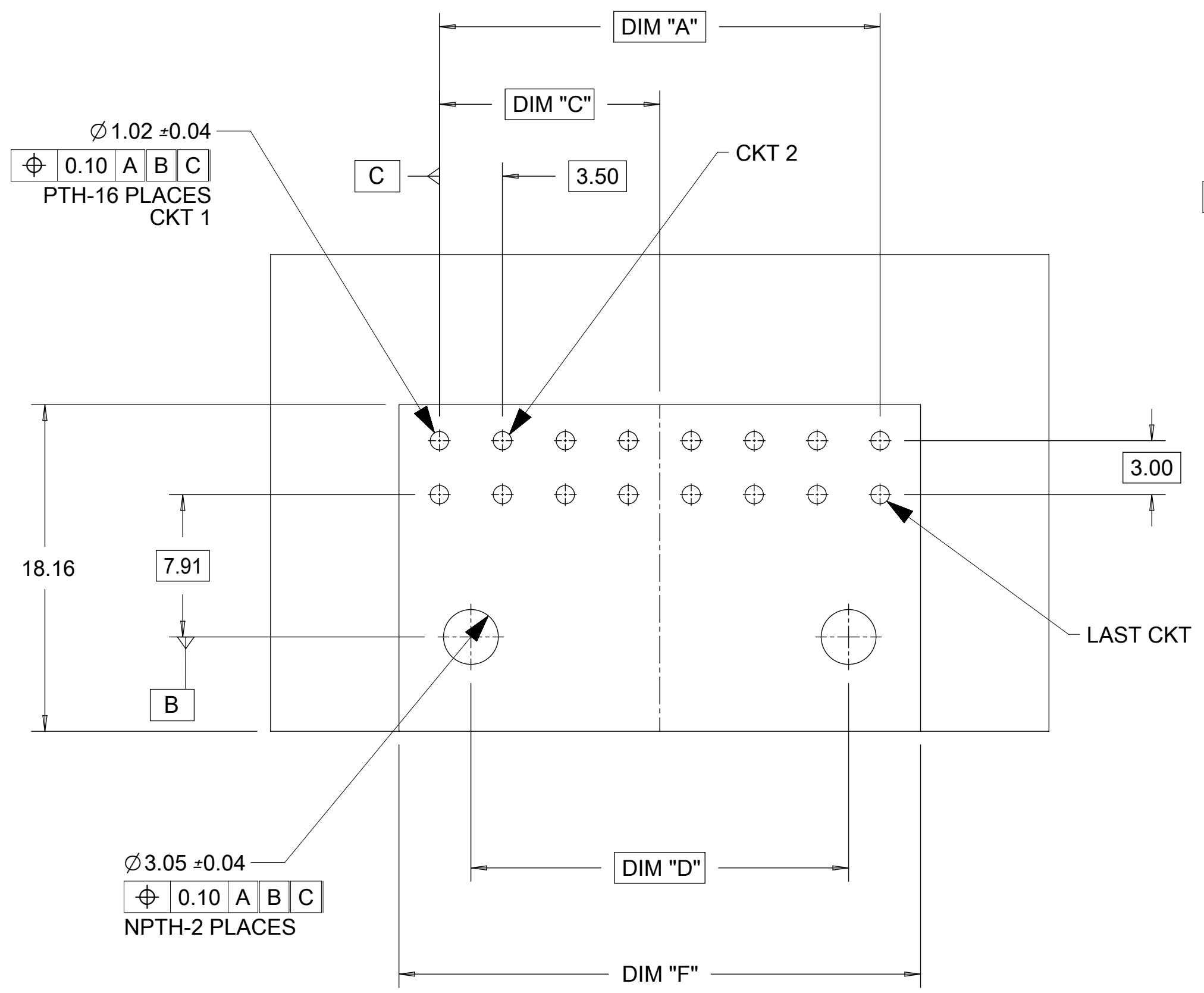
NOTES:

- MATERIAL :  
HOUSING  
OPTION 1: LCP BLACK, UL94 V-0  
OPTION 2: LCP NATURAL, UL94 V-0  
TERMINAL: COPPER ALLOY
- PLATING FINISH:  
OPTION 1 - 1.5µm(60µin)-2.5µm(100µin) TIN OVER  
1.25µm(50µin)-2.5µm(100µin) NICKEL OVERALL  
OPTION 2 - 0.35µm(15µin) GOLD CONTACT AREA,  
1.5µm(60µin)-2.5µm(100µin) TIN TAIL AREA OVER  
1.25µm(50µin)-2.5µm(100µin) NICKEL OVERALL  
OPTION 3 - 0.70µm(30µin) GOLD CONTACT AREA,  
1.5µm(60µin)-2.5µm(100µin) TIN TAIL AREA OVER  
1.25µm(50µin)-2.5µm(100µin) NICKEL OVERALL
- PARTS TO BE PACKAGED PER PK-172316-9001
- PRODUCT SPECIFICATION PS-172323-0001
- PART MATES WITH MOLEX RECEPTACLE HOUSING  
172258 AND 172262
- PART CONFORMS TO CLASS "C" REQUIREMENTS OF SPECIFICATION  
PS-45499-002 WITH 0.13 MM MAXIMUM FLASH ALLOWED IN CORE  
HOLES AND FRONT SURFACE.
- DISCOLORATION IN THE BANDOLIER AREA OF THE PIN IS  
INHERENT TO THE PLATING PROCESS AND IS DUE TO THE MASKING  
EFFECT OF THE CARRIER. THIS DISCOLORATION IS IN A NON-FUNCTIONAL  
AREA OF THE PIN AND WILL NOT AFFECT THE PERFORMANCE OF THE  
HEADER ASSEMBLY.
- ASSEMBLY SPECIFICATION: AS-172323-0001

SECTION Y-Y  
SCALE 8:1



|   |  |  |   |                 |                        |  |                 |          |          |              |  |
|---|--|--|---|-----------------|------------------------|--|-----------------|----------|----------|--------------|--|
| THIS DRAWING CONTAINS INFORMATION THAT IS PROPRIETARY TO MOLEX ELECTRONIC TECHNOLOGIES, LLC AND SHOULD NOT BE USED WITHOUT WRITTEN PERMISSION |  |  |   |                 |                        |  |                 |          |          |              |  |
| QUALITY SYMBOLS   | EC NO: 104752<br>DRWN: PPEREZ03<br>CHKD:<br>REV APPR: RHODGE | GENERAL TOLERANCES (UNLESS SPECIFIED)                |   | DIMENSION UNITS | SCALE                  |  |                 |          |          |              |  |
|   |  | ANGULAR TOL ± °                                      |   | MM              | 4:1                    |  |                 |          |          |              |  |
| ▽ = 0   | 2016/04/29<br>2016/03/28<br>2016/04/24                       | 4 PLACES ±   |   | DRWN BY         | DATE                   | ULTRA-FIT R/A HEADER<br>4-16 CKTS DUAL ROW |                 |          |          |              |  |
| ▽ = 0   |  | 3 PLACES ±   |   | DROSCA          | 2014/03/06             |  |                 |          |          |              |  |
| ▽ = 0   |  | 2 PLACES ± 0.25                                      |   | CHKD BY         | DATE                   | PRODUCT CUSTOMER DRAWING                   |                 |          |          |              |  |
| ▽ = 0   |  | 1 PLACE ± 0.5  |   | APPR BY         | DATE                   |  |                 |          |          |              |  |
| ▽ = 0   |  | 0 PLACES ±   |   | JCOMERCI        | 2016/04/24             | SERIES                                     | MATERIAL NUMBER | CUSTOMER |          |              |  |
| ▽ = 0   |  | DRAFT WHERE APPLICABLE MUST REMAIN WITHIN DIMENSIONS |   | DRAWING SIZE    | THIRD ANGLE PROJECTION | 172316                                     | GENERAL MARKET  |          |          |              |  |
| ▽ = 0   | F3   |  | D | PSD             | 000                    | DOCUMENT NUMBER                            |                 | DOC TYPE | DOC PART | SHEET NUMBER |  |
|   |  |  |   | SD-172316-1000  |                        |  |                 |          |          | 1 OF 3       |  |



OPTION 1: LATCH FLUSH WITH PCB EDGE  
OPTION 2: HOUSING BODY FLUSH WITH PCB EDGE

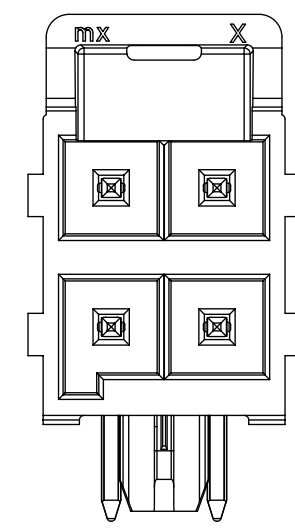
NOTE: DATUM -A- IS ON COMPONENT SIDE PCB

| TIN PLATING |         |              |            |       |       |       |       |
|-------------|---------|--------------|------------|-------|-------|-------|-------|
| PART NO.    | COLOR   | CIRCUIT SIZE | KEY OPTION | DIM A | DIM F | DIM C | DIM D |
| 172316-1104 | BLACK   | 4            | KEY A      | 3.50  | 8.00  | 1.75  | 0.00  |
| 172316-1106 | BLACK   | 6            | KEY A      | 7.00  | 11.50 | 3.50  | 0.00  |
| 172316-1108 | BLACK   | 8            | KEY A      | 10.50 | 15.00 | 5.25  | 7.00  |
| 172316-1110 | BLACK   | 10           | KEY A      | 14.00 | 18.50 | 7.00  | 10.50 |
| 172316-1112 | BLACK   | 12           | KEY A      | 17.50 | 22.00 | 8.75  | 14.00 |
| 172316-1114 | BLACK   | 14           | KEY A      | 21.00 | 25.50 | 10.50 | 17.50 |
| 172316-1116 | BLACK   | 16           | KEY A      | 24.50 | 29.00 | 12.25 | 21.00 |
| 172316-2104 | NATURAL | 4            | KEY B      | 3.50  | 8.00  | 1.75  | 0.00  |
| 172316-2106 | NATURAL | 6            | KEY B      | 7.00  | 11.50 | 3.50  | 0.00  |
| 172316-2108 | NATURAL | 8            | KEY B      | 10.50 | 15.00 | 5.25  | 7.00  |
| 172316-2110 | NATURAL | 10           | KEY B      | 14.00 | 18.50 | 7.00  | 10.50 |
| 172316-2112 | NATURAL | 12           | KEY B      | 17.50 | 22.00 | 8.75  | 14.00 |
| 172316-2114 | NATURAL | 14           | KEY B      | 21.00 | 25.50 | 10.50 | 17.50 |
| 172316-2116 | NATURAL | 16           | KEY B      | 24.50 | 29.00 | 12.25 | 21.00 |

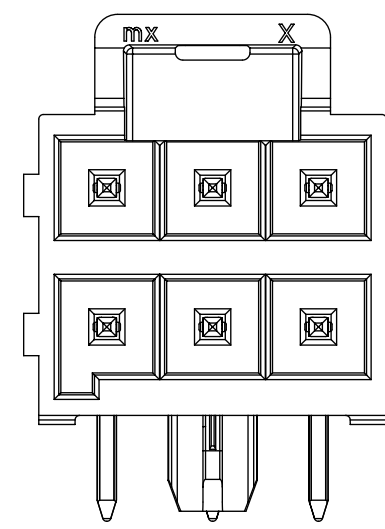
| 15 MICROINCH GOLD PLATING |         |              |            |       |       |       |       |
|---------------------------|---------|--------------|------------|-------|-------|-------|-------|
| PART NO.                  | COLOR   | CIRCUIT SIZE | KEY OPTION | DIM A | DIM F | DIM C | DIM D |
| 172316-1204               | BLACK   | 4            | KEY A      | 3.50  | 8.00  | 1.75  | 0.00  |
| 172316-1206               | BLACK   | 6            | KEY A      | 7.00  | 11.50 | 3.50  | 0.00  |
| 172316-1208               | BLACK   | 8            | KEY A      | 10.50 | 15.00 | 5.25  | 7.00  |
| 172316-1210               | BLACK   | 10           | KEY A      | 14.00 | 18.50 | 7.00  | 10.50 |
| 172316-1212               | BLACK   | 12           | KEY A      | 17.50 | 22.00 | 8.75  | 14.00 |
| 172316-1214               | BLACK   | 14           | KEY A      | 21.00 | 25.50 | 10.50 | 17.50 |
| 172316-1216               | BLACK   | 16           | KEY A      | 24.50 | 29.00 | 12.25 | 21.00 |
| 172316-2204               | NATURAL | 4            | KEY B      | 3.50  | 8.00  | 1.75  | 0.00  |
| 172316-2206               | NATURAL | 6            | KEY B      | 7.00  | 11.50 | 3.50  | 0.00  |
| 172316-2208               | NATURAL | 8            | KEY B      | 10.50 | 15.00 | 5.25  | 7.00  |
| 172316-2210               | NATURAL | 10           | KEY B      | 14.00 | 18.50 | 7.00  | 10.50 |
| 172316-2212               | NATURAL | 12           | KEY B      | 17.50 | 22.00 | 8.75  | 14.00 |
| 172316-2214               | NATURAL | 14           | KEY B      | 21.00 | 25.50 | 10.50 | 17.50 |
| 172316-2216               | NATURAL | 16           | KEY B      | 24.50 | 29.00 | 12.25 | 21.00 |

| 30 MICROINCH GOLD PLATING |         |              |            |       |       |       |       |
|---------------------------|---------|--------------|------------|-------|-------|-------|-------|
| PART NO.                  | COLOR   | CIRCUIT SIZE | KEY OPTION | DIM A | DIM F | DIM C | DIM D |
| 172316-1304               | BLACK   | 4            | KEY A      | 3.50  | 8.00  | 1.75  | 0.00  |
| 172316-1306               | BLACK   | 6            | KEY A      | 7.00  | 11.50 | 3.50  | 0.00  |
| 172316-1308               | BLACK   | 8            | KEY A      | 10.50 | 15.00 | 5.25  | 7.00  |
| 172316-1310               | BLACK   | 10           | KEY A      | 14.00 | 18.50 | 7.00  | 10.50 |
| 172316-1312               | BLACK   | 12           | KEY A      | 17.50 | 22.00 | 8.75  | 14.00 |
| 172316-1314               | BLACK   | 14           | KEY A      | 21.00 | 25.50 | 10.50 | 17.50 |
| 172316-1316               | BLACK   | 16           | KEY A      | 24.50 | 29.00 | 12.25 | 21.00 |
| 172316-2304               | NATURAL | 4            | KEY B      | 3.50  | 8.00  | 1.75  | 0.00  |
| 172316-2306               | NATURAL | 6            | KEY B      | 7.00  | 11.50 | 3.50  | 0.00  |
| 172316-2308               | NATURAL | 8            | KEY B      | 10.50 | 15.00 | 5.25  | 7.00  |
| 172316-2310               | NATURAL | 10           | KEY B      | 14.00 | 18.50 | 7.00  | 10.50 |
| 172316-2312               | NATURAL | 12           | KEY B      | 17.50 | 22.00 | 8.75  | 14.00 |
| 172316-2314               | NATURAL | 14           | KEY B      | 21.00 | 25.50 | 10.50 | 17.50 |
| 172316-2316               | NATURAL | 16           | KEY B      | 24.50 | 29.00 | 12.25 | 21.00 |

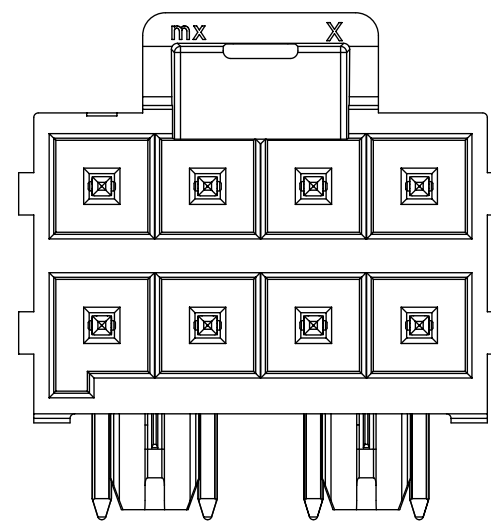
|  |   |   |   |  |   |
|--|---|---|---|--|---|
| <b>QUALITY SYMBOLS</b><br>F = 0<br>E = 0<br>D = 0<br>C = 0<br>B = 0<br>A = 0<br>0 = 0<br>1 = 0<br>2 = 0<br>3 = 0<br>4 = 0<br>5 = 0<br>6 = 0<br>7 = 0<br>8 = 0<br>9 = 0 | THIS DRAWING CONTAINS INFORMATION THAT IS PROPRIETARY TO MOLEX ELECTRONIC TECHNOLOGIES, LLC AND SHOULD NOT BE USED WITHOUT WRITTEN PERMISSION |   | GENERAL TOLERANCES (UNLESS SPECIFIED)<br>DIMENSION UNITS: MM<br>SCALE: 4:1    |  | <br><br><b>ULTRA-FIT R/A HEADER</b><br>4-16 CKTS DUAL ROW<br><br>PRODUCT CUSTOMER DRAWING |
|  | DRWN BY: 2016/04/29<br>CHKD BY: 2016/03/28  | DRWSA<br>DATE: 2014/03/06   | DRWN BY: 2016/04/29<br>CHKD BY: 2016/03/28                                    | DATE: 2014/03/06   |   |
|  | EC NO: 104752<br>DRWN: PPEREZ03<br>CHKD: RHODGE<br>APPR:  | ANGULAR TOL ± °<br>4 PLACES ±<br>3 PLACES ±<br>2 PLACES ± 0.25<br>1 PLACE ± 0.5<br>0 PLACES ±<br>DRAFT WHERE APPLICABLE MUST REMAIN WITHIN DIMENSIONS | DROSCA<br>DATE: 2014/03/06  | APPR BY: JCOMERCI<br>DATE: 2014/04/24                                  |   |
|  | <b>F3</b>   | DRAWING SIZE: D<br>THIRD ANGLE PROJECTION   | SERIES: 172316<br>MATERIAL NUMBER: SD-172316-1000<br>CUSTOMER: GENERAL MARKET | DOCUMENT NUMBER: PSD<br>DOC TYPE: 000<br>DOC PART SHEET NUMBER: 2 OF 3 |   |



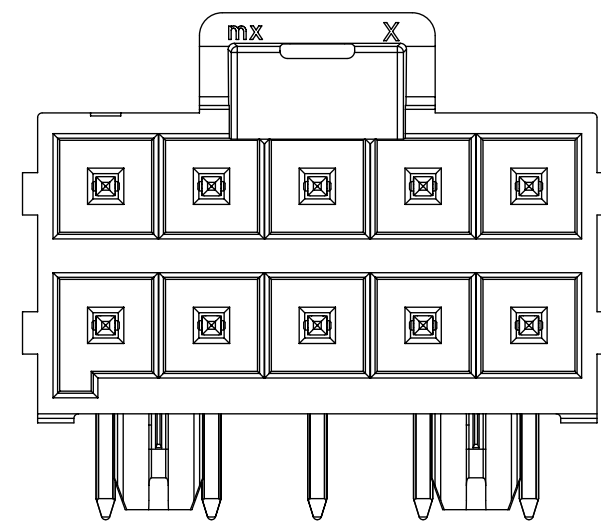
4 CKT



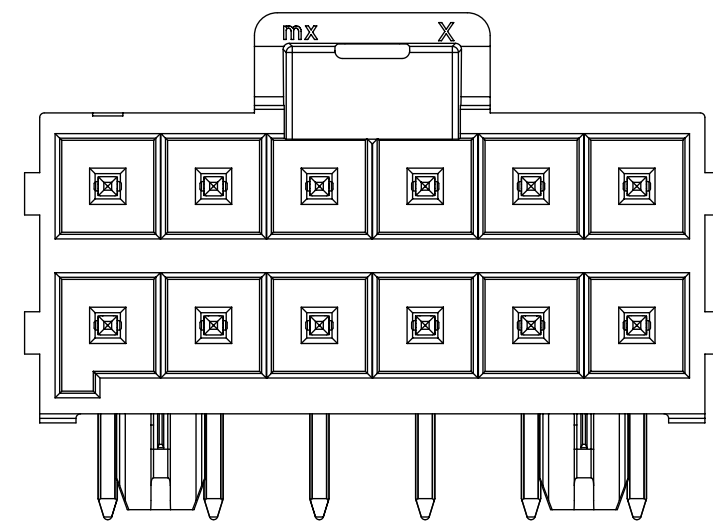
6 CKT



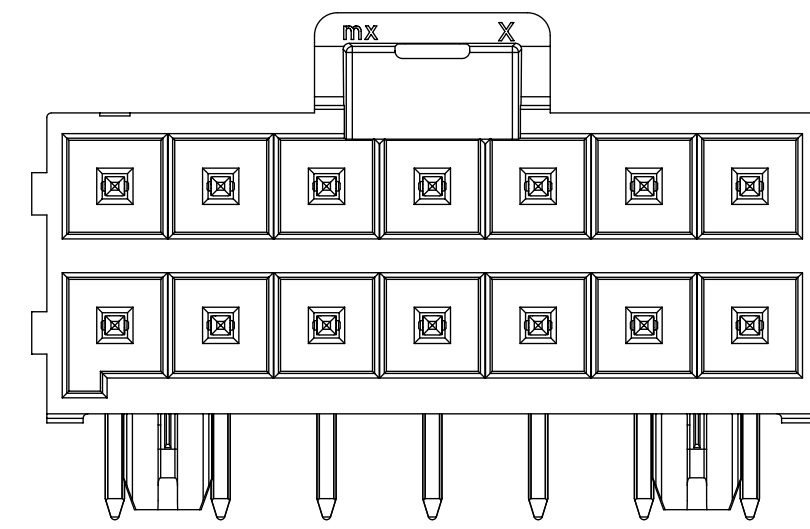
8 CKT



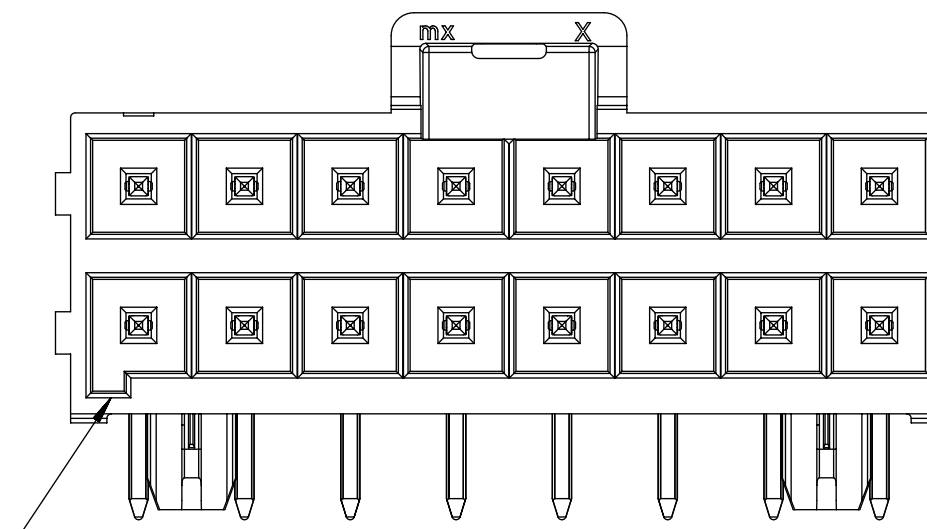
10 CKT



12 CKT

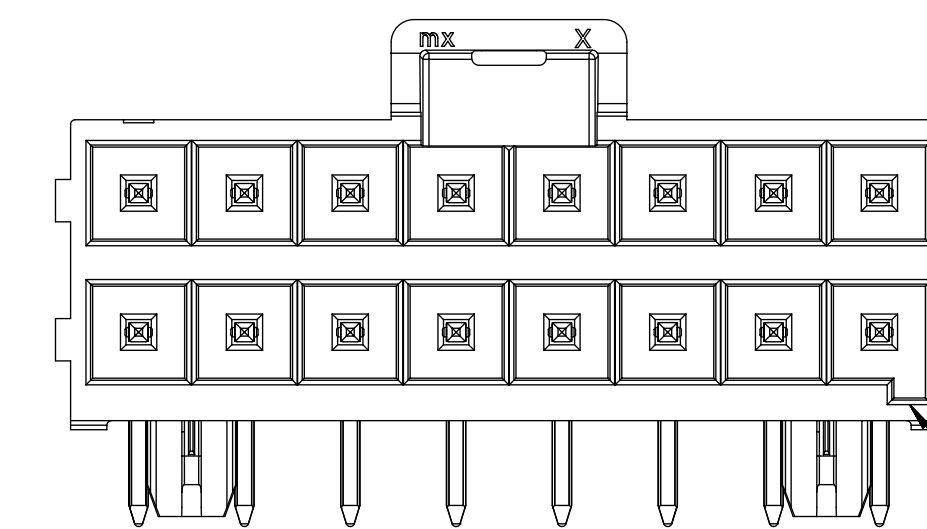


14 CKT



16 CKT

KEY A  
(BLACK)



KEY B  
(NATURAL)

|  |   |                 |                                       |   |                        |   |   |  |                          |  |
|--|---|-----------------|---------------------------------------|---|------------------------|---|---|--|--------------------------|--|
| <b>QUALITY SYMBOLS</b><br>= 0<br>= 0<br>= 0<br>= 0<br>= 0<br>= 0<br>= 0<br>= 0<br>= 0<br>= 0 | THIS DRAWING CONTAINS INFORMATION THAT IS PROPRIETARY TO MOLEX ELECTRONIC TECHNOLOGIES, LLC AND SHOULD NOT BE USED WITHOUT WRITTEN PERMISSION |                 |                                       |   |                        |   |   |  |                          |  |
|  | 2016/04/29  | 2016/03/28      | GENERAL TOLERANCES (UNLESS SPECIFIED) |   | DIMENSION UNITS        | SCALE   |   |  |                          |  |
|  | DRWN BY: PPerez03   | CHKD: RHODGE    | ANGULAR TOL ± °                       |   | MM                     | 4:1   |   |  |                          |  |
|  | EC NO: 104752<br>DRWN: PPerez03<br>CHKD: RHODGE<br>REV APPR:  | 4 PLACES ±      | DROSCA                                |   | DATE                   |   | ULTRA-FIT R/A HEADER<br>4-16 CKTS DUAL ROW        |  |                          |  |
|  |   | 3 PLACES ±      | DATE                                  |   | 2014/03/06             |   |   |  |                          |  |
|  |   | 2 PLACES ± 0.25 | DATE                                  |   | 2014/04/24             |   |   |  |                          |  |
|  |   | 1 PLACE ± 0.5   | DATE                                  |   | 2014/04/24             |   |   |  |                          |  |
|  |   | 0 PLACES ±      | DATE                                  |   | 2014/04/24             |   |   |  |                          |  |
|  | DRAFT WHERE APPLICABLE MUST REMAIN WITHIN DIMENSIONS  |                 | DRAFTING SIZE                         |   | THIRD ANGLE PROJECTION |   | PRODUCT CUSTOMER DRAWING                          |  |                          |  |
|  | D   |                 | D                                     |   | D                      |   | SERIES: 172316<br>MATERIAL NUMBER: SD-172316-1000 |  | CUSTOMER: GENERAL MARKET |  |
| F3   |   | D               |                                       | D |                        | DOCUMENT NUMBER: SD-172316-1000<br>DOC TYPE: PSD<br>DOC PART: 000<br>SHEET NUMBER: 3 OF 3 |   |  |                          |  |