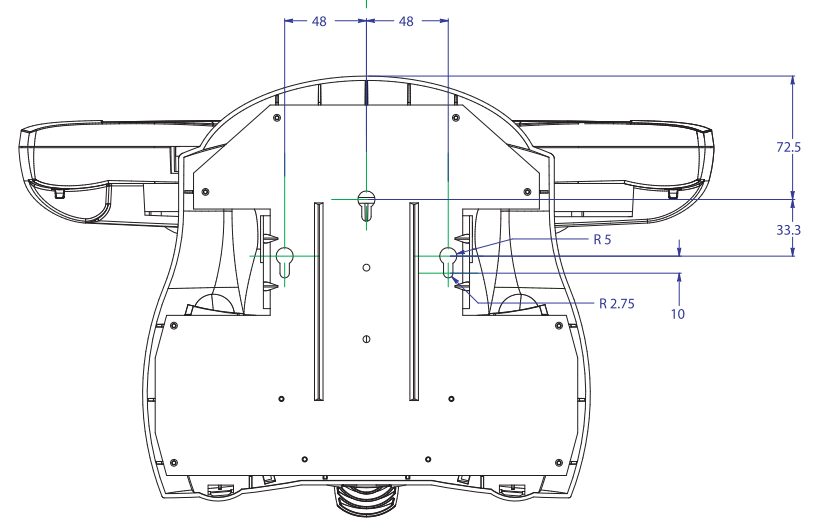
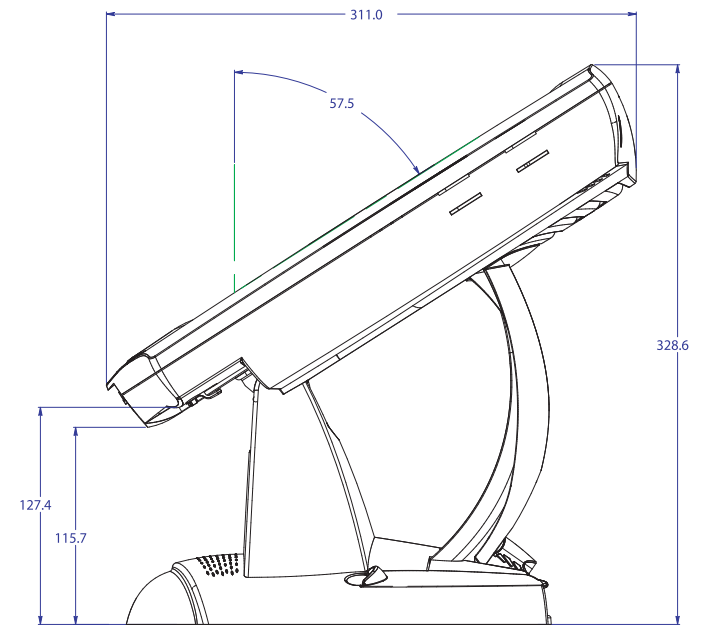
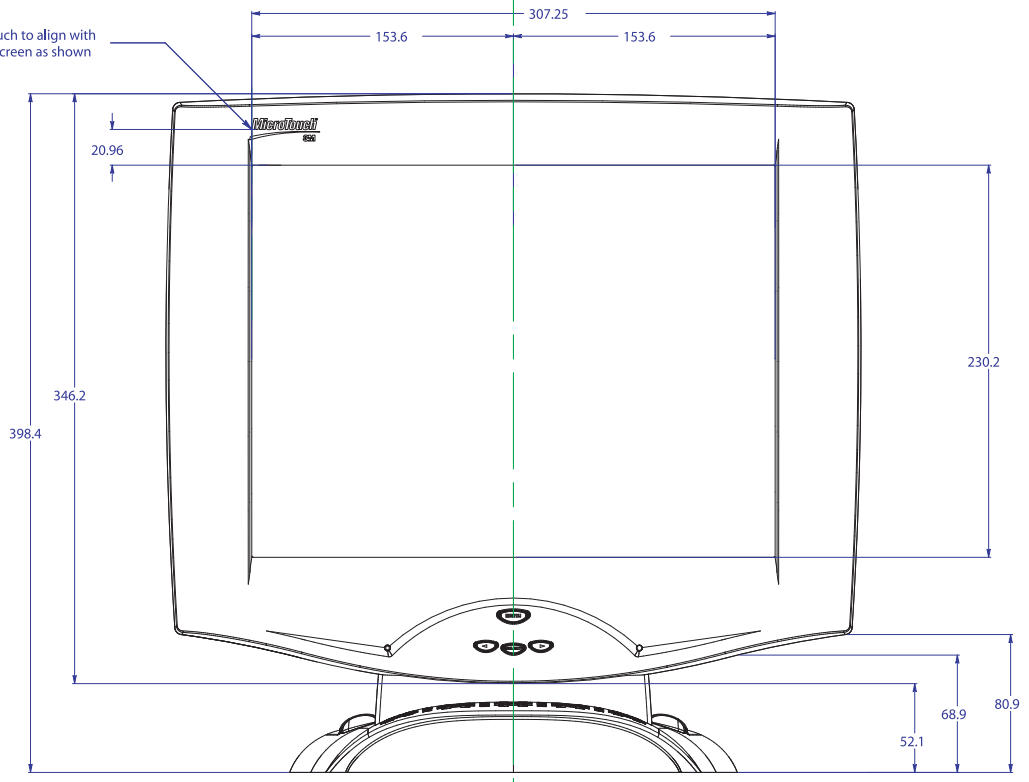


"M" in Microtouch to align with inner edge of screen as shown



**3M** 3M TOUCH SYSTEMS  
METHUEN, MA  
USA  
© COPYRIGHT 2002  
THIS DOCUMENT IS COPYRIGHTED PROPERTY OF THE  
3M COMPANY AND MAY NOT BE REPRODUCED  
WITHOUT 3M WRITTEN PERMISSION OR USED OR  
DISCLOSED FOR OTHER THAN 3M AUTHORIZED  
PURPOSES.