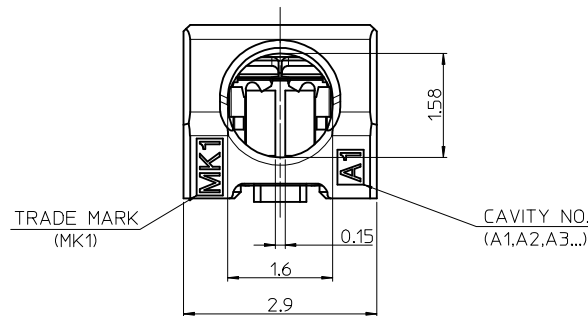
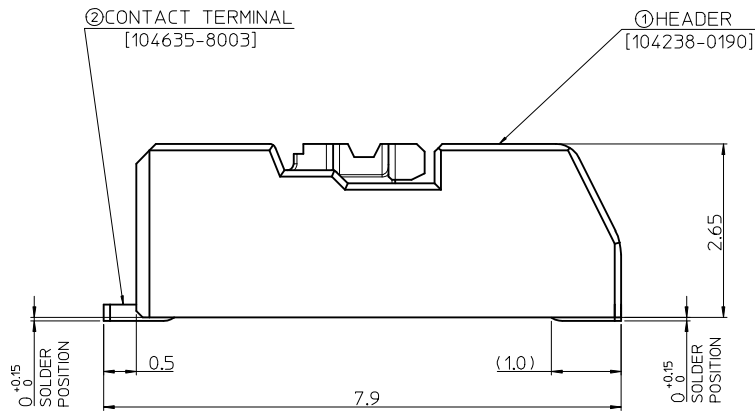


ISOMETRIC VIEW
(SCALE 7/1)

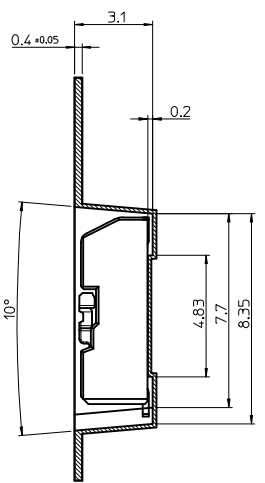
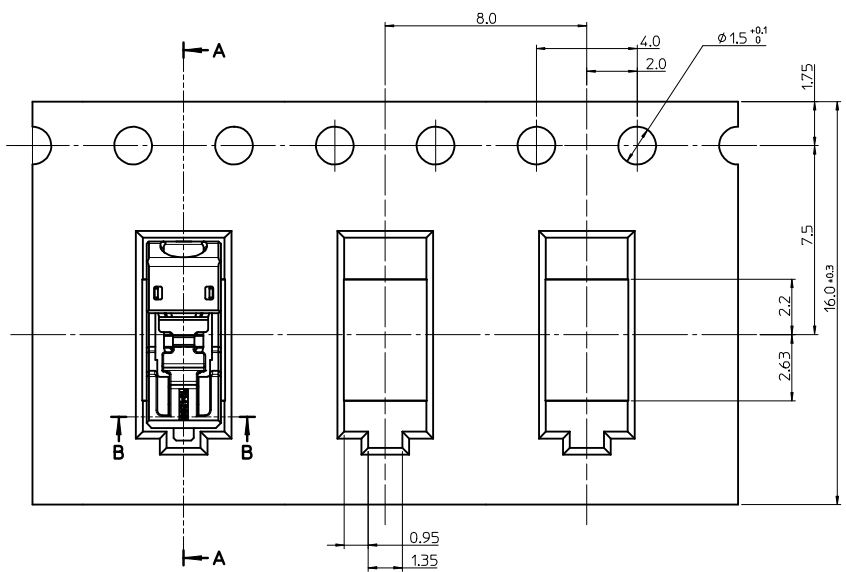
RECOMMENDED PCB LAYOUT
[GENERAL TOLERANCE : ±0.05]



NOTE

- MATERIAL
 - ①- HEADER : LCP, GLASS FILLED, UL94V-0 HALOGEN FREE, COLOR OF NATURAL
 - ②- CONTACT TERMINAL : COPPER-ALLOY, 0.25mm THICKNESS
- PLATING
 - CONTACT TERMINAL : TIN -PLATED 0.84μm MINIMUM TIN PLATING
- PRODUCT SPECIFICATION : PS-104238-001
- PACKAGING SPECIFICATION : PK-104238-001
- COPLANALITY OF SOLDER TAILS (PEAK TEMP. : 260°C), BEFORE & AFTER REFLOW : 0.08 MAX.
- APPLICABLE SOLIDE WIRE RANGE : (OUTSIDE WIRE INSULATION : 1.48mm DIAMETER MAX.)
 - SOLID WIRE : AWG #26~#22

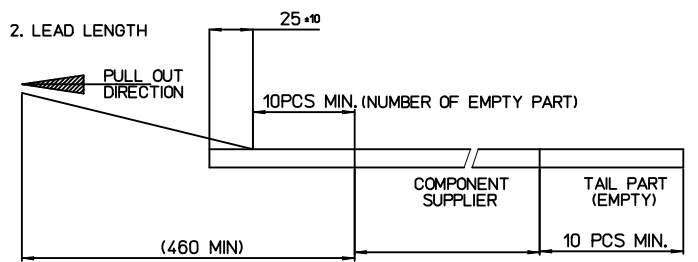
RELEASED EC NO: KOR2015-0096 DRWN: SCHONG03 2015/01/12 CHKD: SHCHU 2015/01/12 APPR: YSK1M02 2015/03/30	QUALITY SYMBOLS	GENERAL TOLERANCES (UNLESS SPECIFIED)	DIMENSION STYLE	SCALE	DESIGN UNITS	THIRD ANGLE PROJECTION
	▽=0 ▽=0	mm INCH 4 PLACES ± --- ± --- 3 PLACES ± --- ± --- 2 PLACES ± 0.15 ± --- 1 PLACE ± 0.20 ± --- 0 PLACE ± --- ± ---	MM ONLY	13:1	METRIC	
	ANGULAR ± 3 ° DRAFT WHERE APPLICABLE MUST REMAIN WITHIN DIMENSIONS	DRAWN BY: SCHONG03 DATE: 2015/01/12 CHECKED BY: SHCHU DATE: 2015/01/12 APPROVED BY: YSK1M02 DATE: 2015/03/30	TITLE	MINI LITE TRAP CONNECTOR HEADER ASS'Y -1P		
		MATERIAL NO.	DOCUMENT NO.			
A		1042380110	SD-104238-001	SHEET NO. 1 OF 1		
		THIS DRAWING CONTAINS INFORMATION THAT IS PROPRIETARY TO MOLEX INCORPORATED AND SHOULD NOT BE USED WITHOUT WRITTEN PERMISSION				



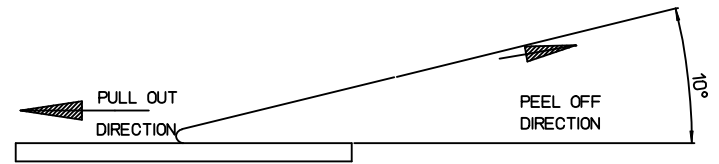
Section A-A

NOTES

1. QUANTITY OF CONNECTORS : 3,500 PCS/REEL
2. LEAD LENGTH
3. PEELING OFF FORCE OF COVER TAPE : 0.1N~0.59N(10.2GF~60GF)
 (PEELING DIRECTION AS SHOW IN FOLLOW FIG.)
 PEELING OFF SPEED : 300mm/Min.(Ref.)



4. FLASH IN ANY PORTION SHOULD BE LESS THAN 0.20mm MAX.
5. UNLESS OTHERWISE SPECIFIED INNER R0.2 MAX

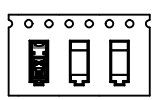


4. FLASH IN ANY PORTION SHOULD BE LESS THAN 0.20mm MAX.
5. UNLESS OTHERWISE SPECIFIED INNER R0.2 MAX

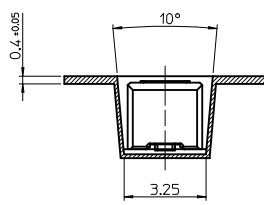
[TABLE]

1042380110	104238-0110	NATURAL	16.0mm	104238-9001
MATERIAL NO.	NO.	COLOR	TAPE WIDTH	EMBOSS TAPE
	CONNECTOR			

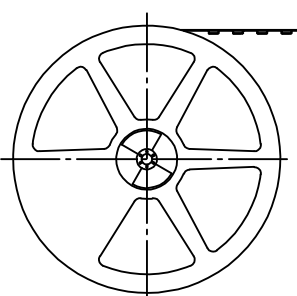
PULL OUT DIRECTION →



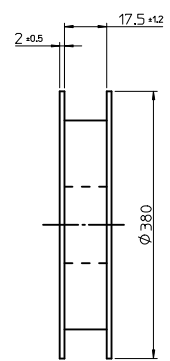
PULL OUT DIRECTION →



Section B-B



PLASTIC BOBBIN



RELEASED
 EC NO: KOR2015-0074
 DRWN: SCHONG03 2014/12/10
 CHKD: SHCHU 2014/12/10
 APPR: YSK1M02 2014/12/11

REV	DESCRIPTION
A	

QUALITY SYMBOLS	GENERAL TOLERANCES (UNLESS SPECIFIED)	
	mm	INCH
▽=0	4 PLACES ± ---	± ---
▽=0	3 PLACES ± ---	± ---
	2 PLACES ± 0.15	± ---
	1 PLACE ± 0.20	± ---
	0 PLACE ± ---	± ---
	ANGULAR ± 1 °	
	DRAFT WHERE APPLICABLE MUST REMAIN WITHIN DIMENSIONS	

DIMENSION STYLE		SCALE	DESIGN UNITS
MM ONLY		5:1	METRIC
DRAWN BY	DATE	TITLE	
SCHONG03	2014/12/10	MINI S-POKE CONN. -1P	
CHECKED BY	DATE	MINI LITE-TRAP CONN.1KCT	
SHCHU	2014/12/10	EMBOSS PACKAGE	
APPROVED BY	DATE		
YSK1M02	2014/12/11		
MATERIAL NO.	DOCUMENT NO.	SHEET NO.	
1042380110	SD-104238-002	1 OF 1	

THIS DRAWING CONTAINS INFORMATION THAT IS PROPRIETARY TO MOLEX INCORPORATED AND SHOULD NOT BE USED WITHOUT WRITTEN PERMISSION			
---	--	--	--