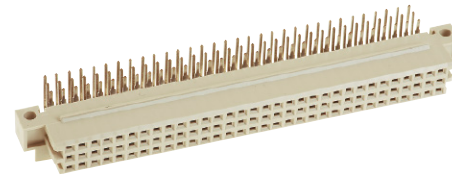


Number of contacts

# 96, 64, 32



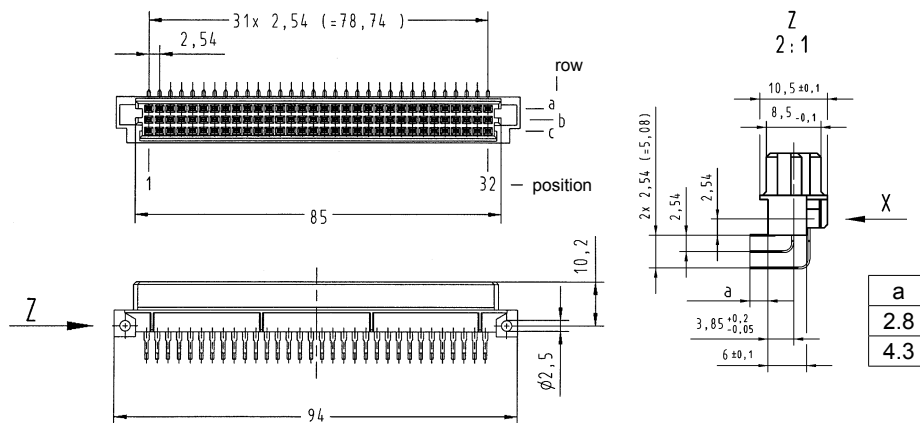
## Female connectors

DIN Signal up to 2 A

Identification      No. of contacts      Contact arrangement      Part number      Performance levels according to IEC 60603-2. Explanation chapter 00

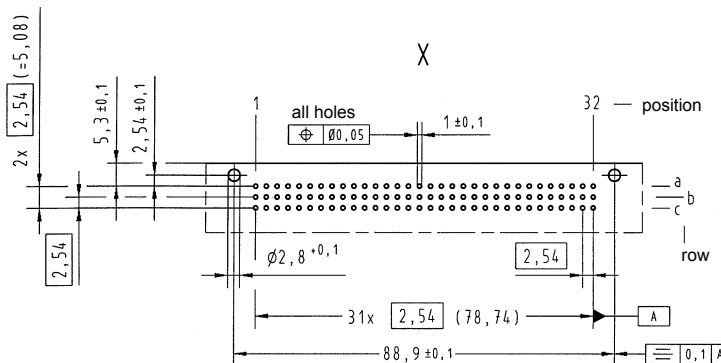
			3	2	1
Female connector with angled solder pins Length 2.8 mm	THR		09 73 296 7801 09 73 496 7801 <sup>b)</sup>	09 73 296 6801 09 73 496 6801 <sup>b)</sup> 09 73 796 6801 <sup>c)</sup>	09 73 296 2801
				09 73 296 6804 <sup>d)</sup> 09 73 496 6804 <sup>b)d)</sup>	09 73 496 2804 <sup>b)d)</sup>
			09 73 264 7801 09 73 464 7801 <sup>b)</sup>	09 73 264 6801 09 73 464 6801 <sup>b)</sup>	09 73 264 2801
	THR			09 73 264 6804 <sup>d)</sup> 09 73 464 6804 <sup>b)d)</sup>	09 73 264 2804 <sup>d)</sup> 09 73 464 2804 <sup>b)d)</sup>
			09 73 232 7801	09 73 232 6801	09 73 232 2801
				09 73 232 6811	
Length 4.3 mm				09 73 496 6855 <sup>b)</sup>	

## Dimensions

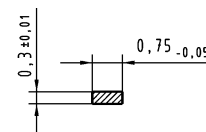


## Board drillings

Mounting side



## Cross section of solder terminations



Cross area (A) of contacts row a, b, c: A = 0.20 - 0.23 mm<sup>2</sup>

Dimensions in mm

Other contact arrangements on request

<sup>b)</sup> Connectors with snap-in clips see chapter 00

<sup>c)</sup> Connectors with coding see chapter 00

<sup>d)</sup> CTI > 400