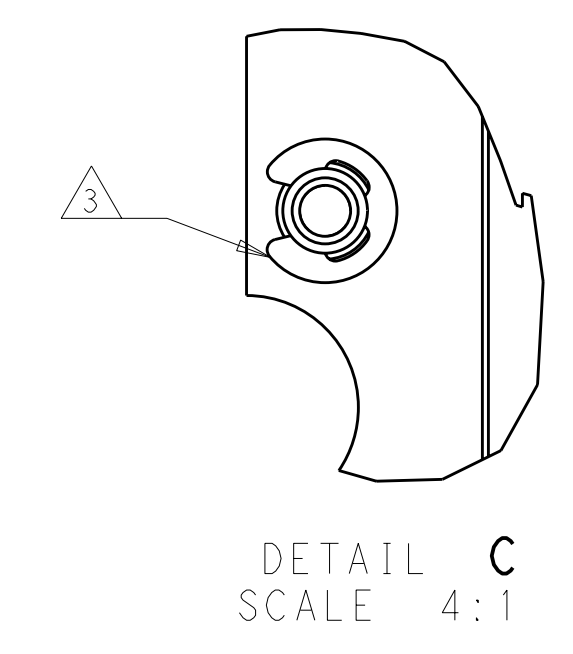
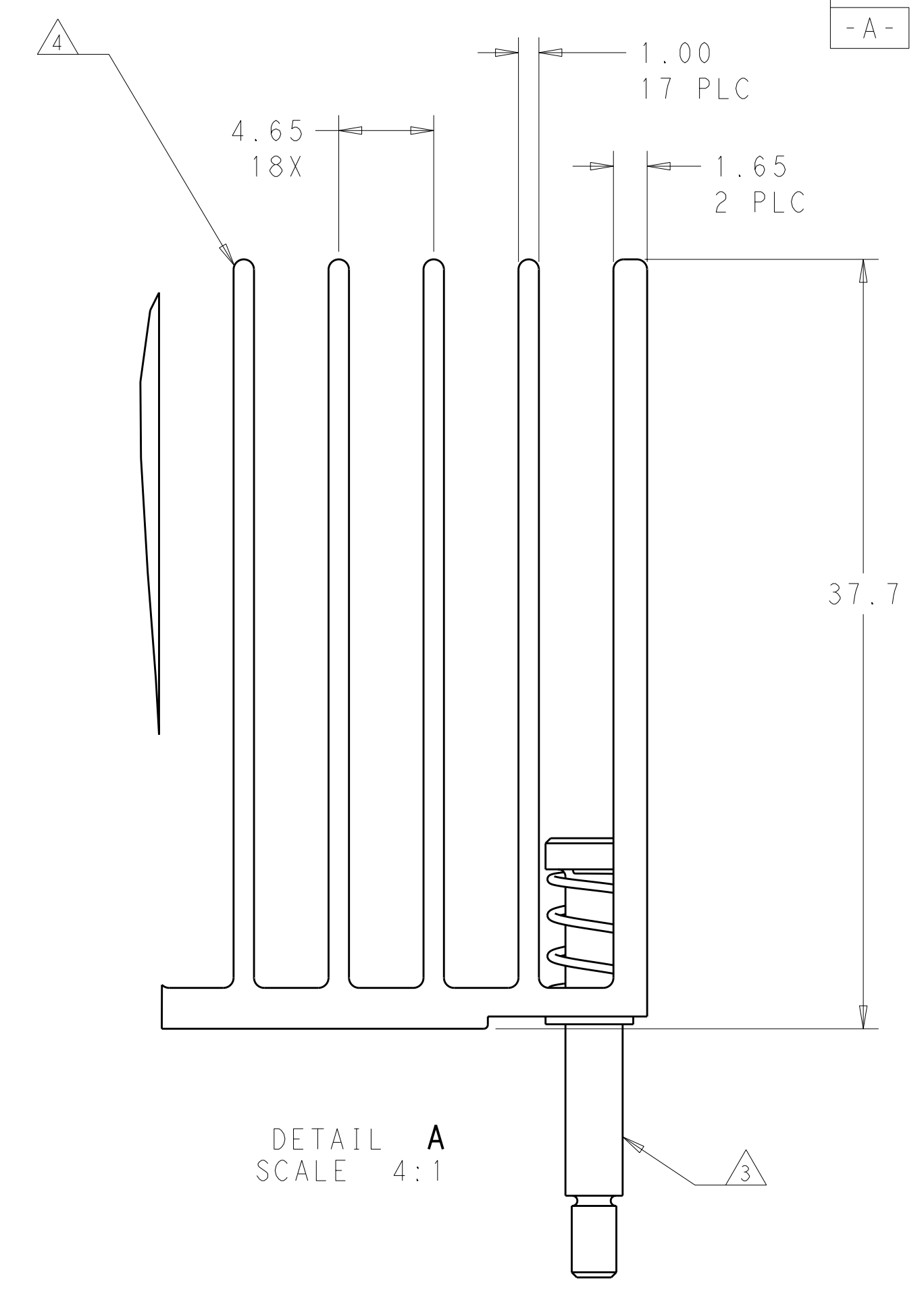
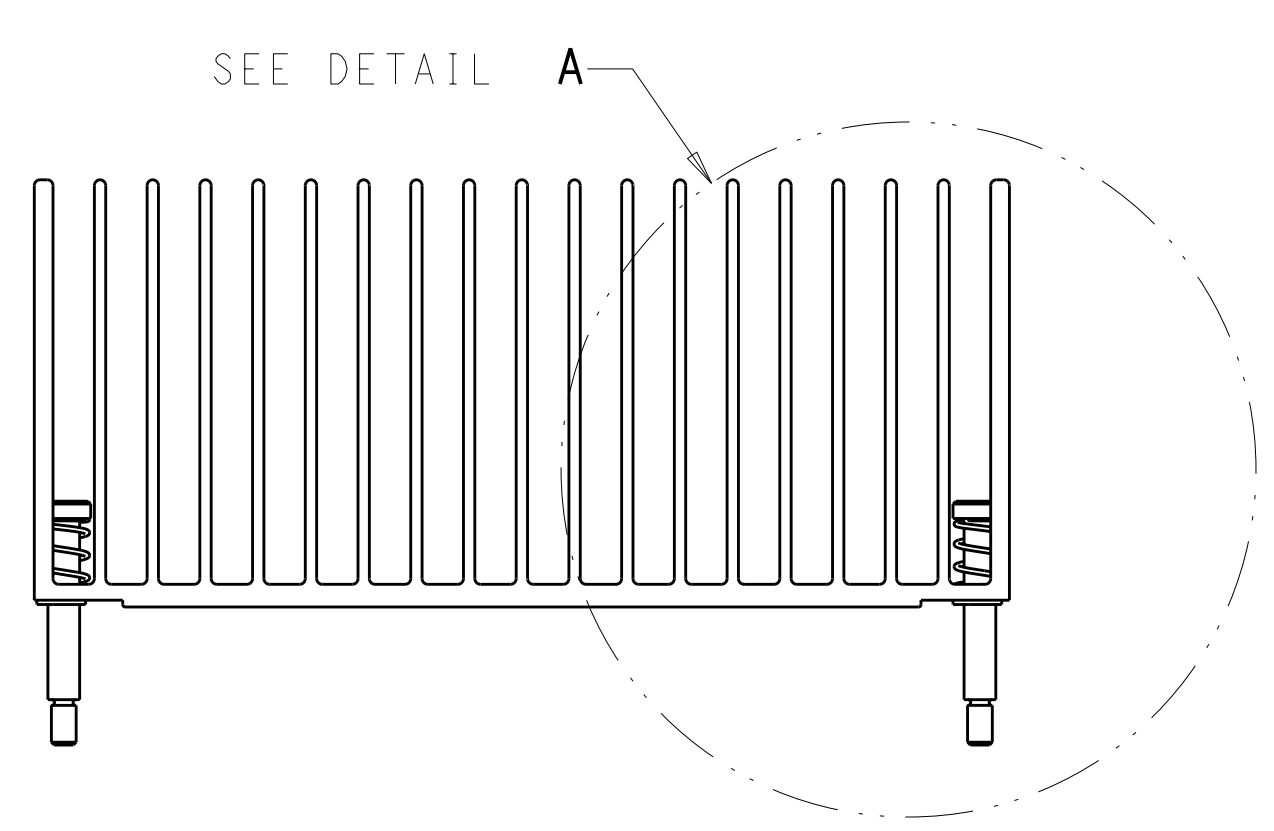
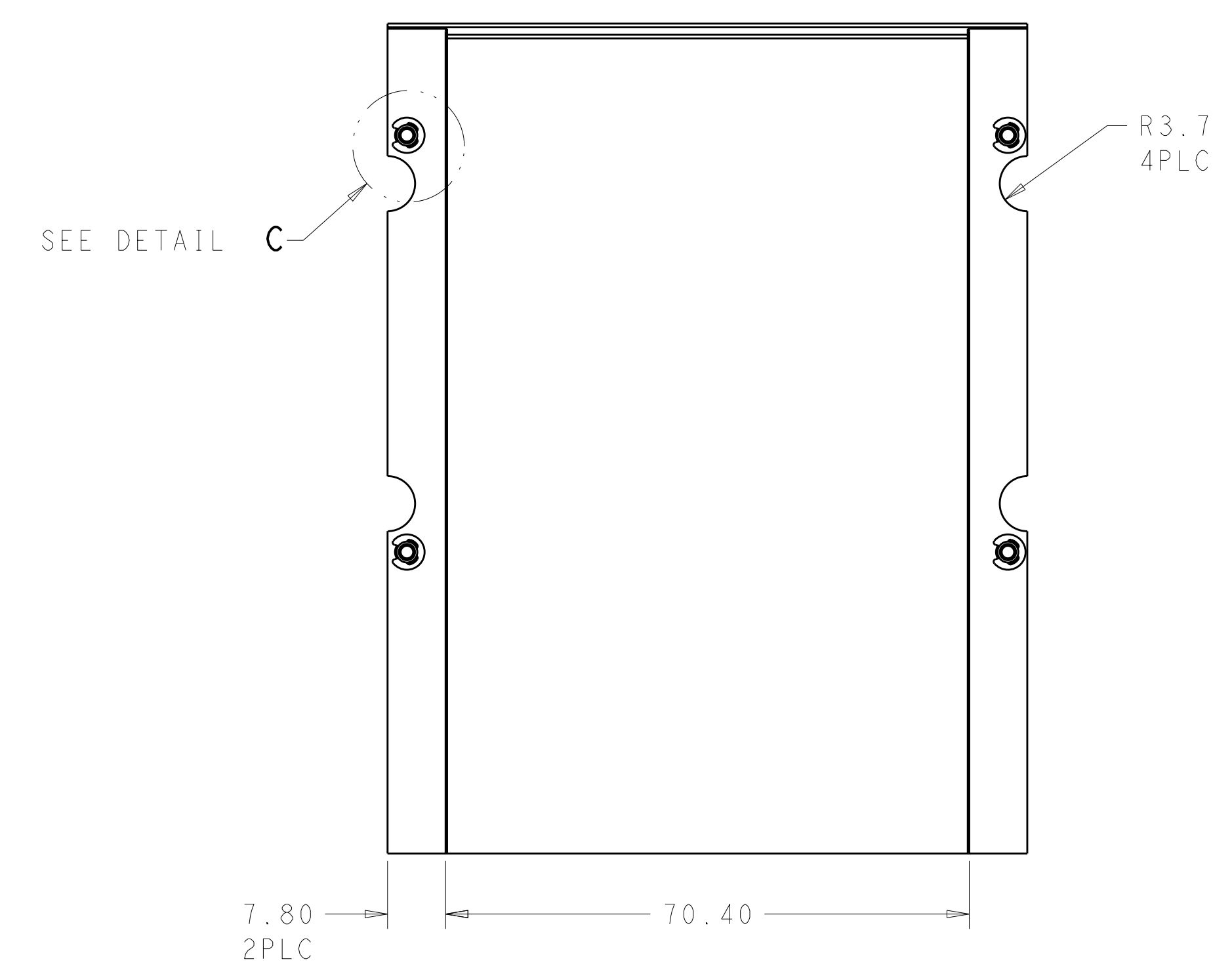
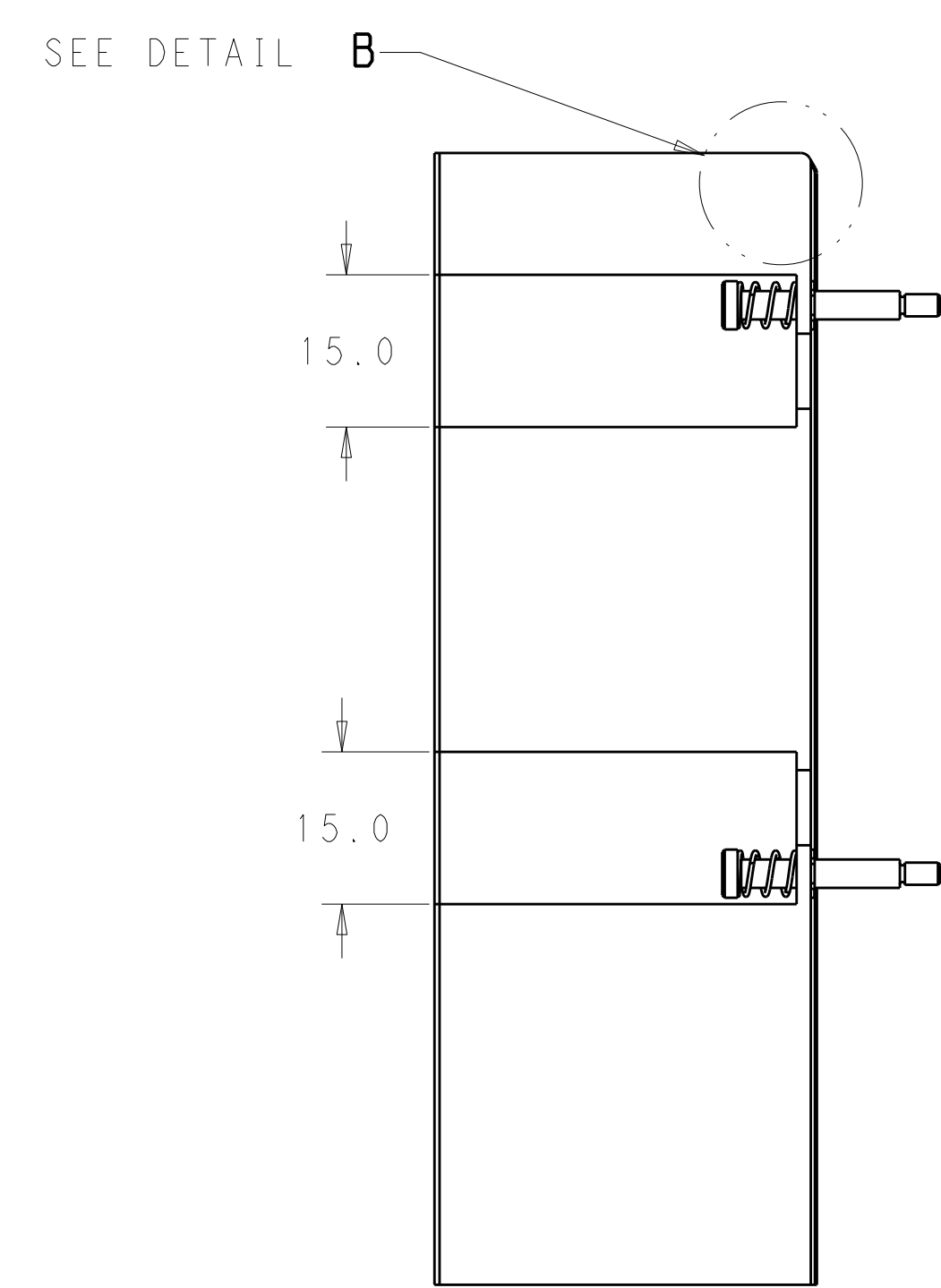
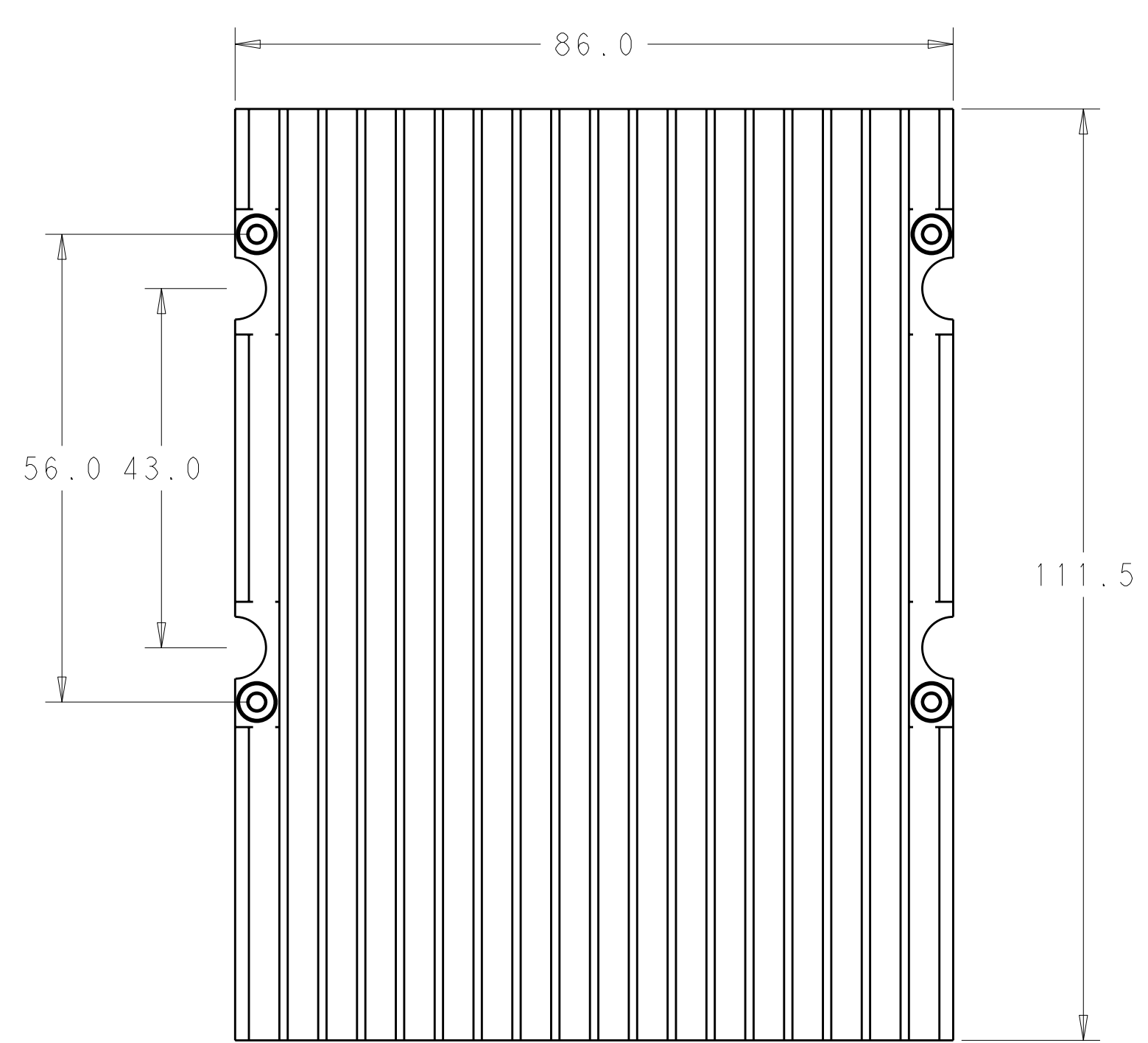
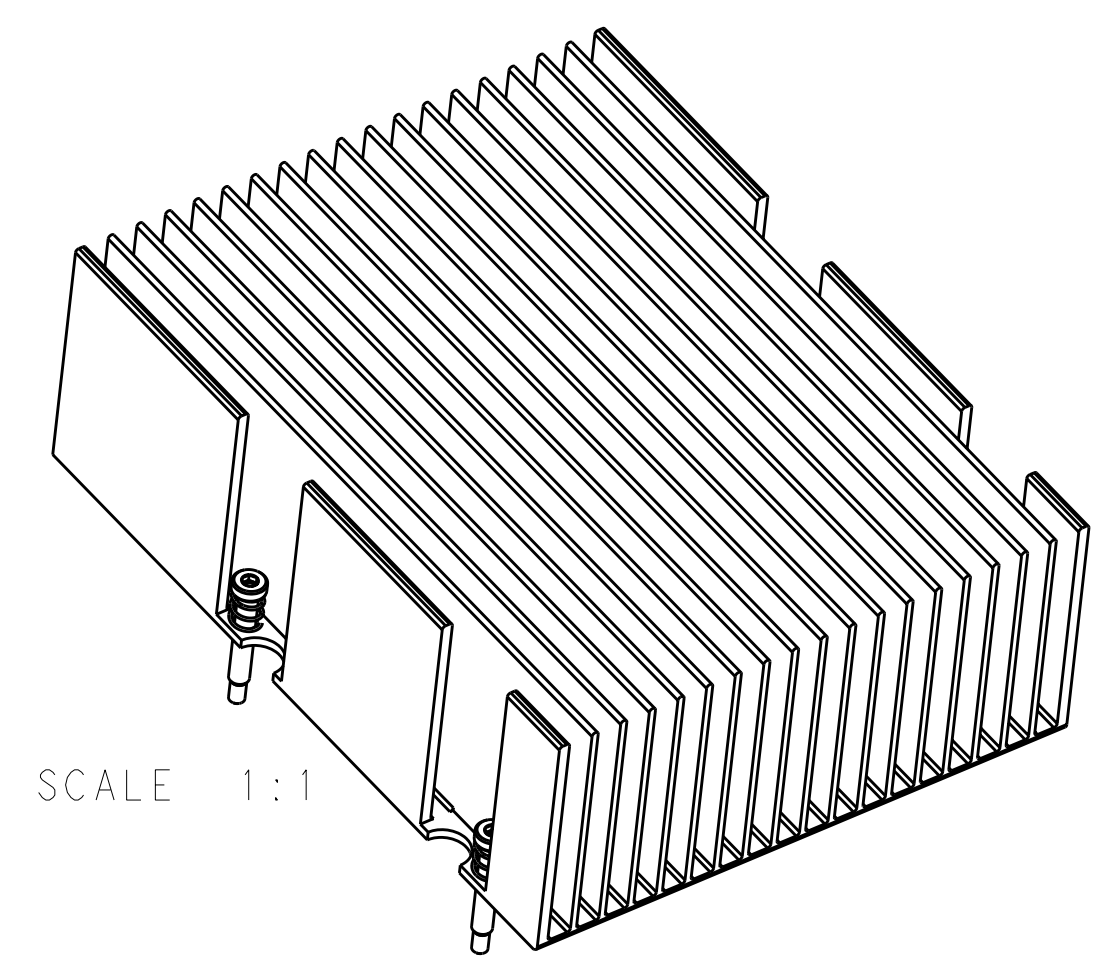
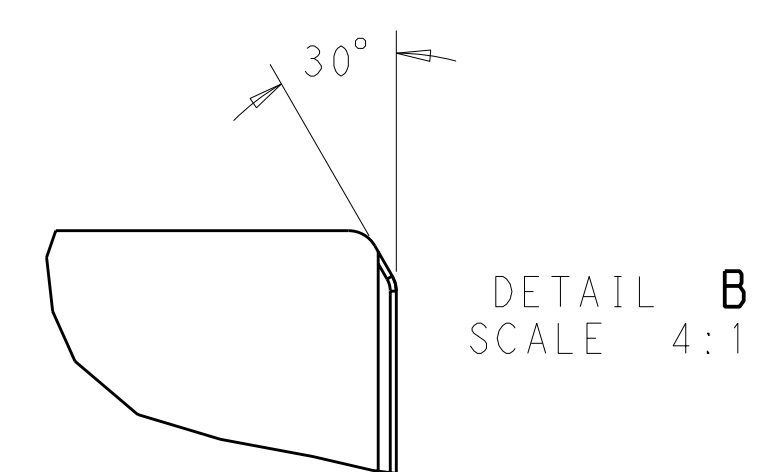


LOC	DIST	P	LTB	DESCRIPTION	DATE	DWN	APVD
-	-	1		DRAWING CREATION	16SEP2009	JE	JE
		A		REMOVE UNUSED PRELIMINARY P/N'S	21SEP2009	-	JE
		B		REVISED PER ECO-09-024638	03NOV2009	DH	JE



- ① HEATSINK MATERIAL: ALUMINUM ALLOY
- ② FINISH: ANNOIDIZED
- ③ 2-56 SHOULDER BOLT AND SPRING PRE-ASSEMBLED AND HELD IN PLACE WITH CLIP
- ④ FULL ROUND PERMITTED ON TOP OF HEATSINK FIN

2110903-2
 PART NUMBER

DIMENSIONS:		TOLERANCES UNLESS OTHERWISE SPECIFIED:		DWN	17SEP2009	Tyco Electronics Harrisburg, PA 17105-3608	
mm	0 PLC ±0.5	1 PLC ±0.5	2 PLC ±0.13	CAX	J	FABY	PRELIMINARY
	3 PLC ±0.013	4 PLC ±0.001	ANGLES ±0.001	APVD	-	-	NAME
	MATERIAL		FINISH	PRODUCT SPEC		100 GIG CFP HEAT SINK	
①	-		-	APPLICATION SPEC		FINS PARALLEL TO MATING DIRECTION	
CUSTOMER DRAWING		WEIGHT	-	SIZE	CAGE CODE	DRAWING NO	RESTRICTED TO
				A100779	C=2110903	GOOG	
				SCALE	3:2	SHEET	1 OF 1
						REV	B