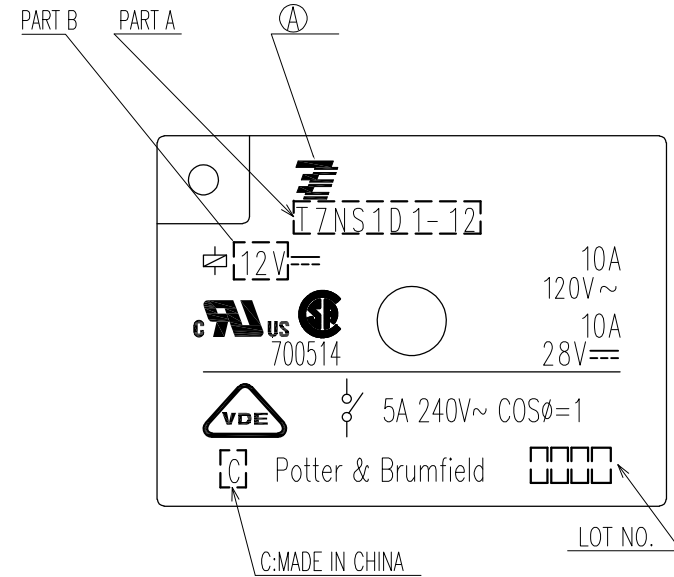
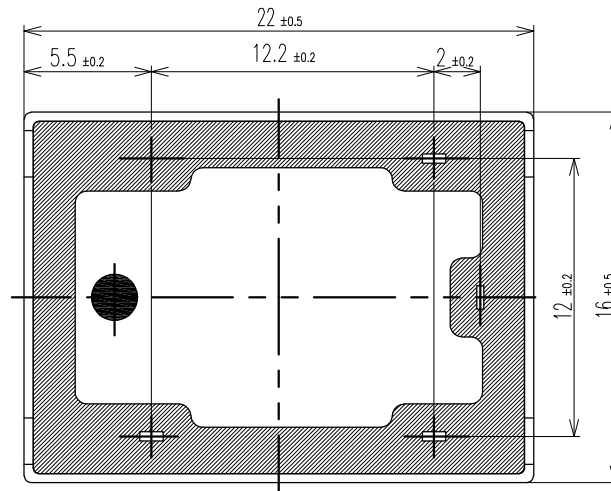
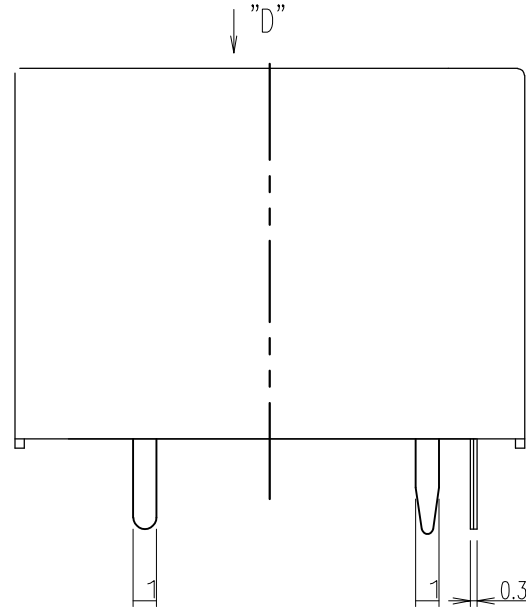
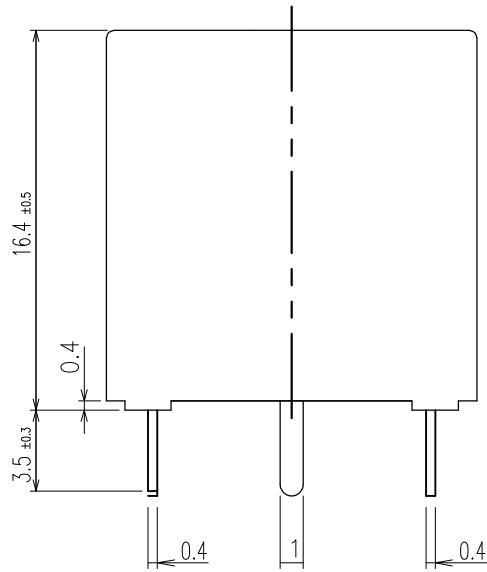


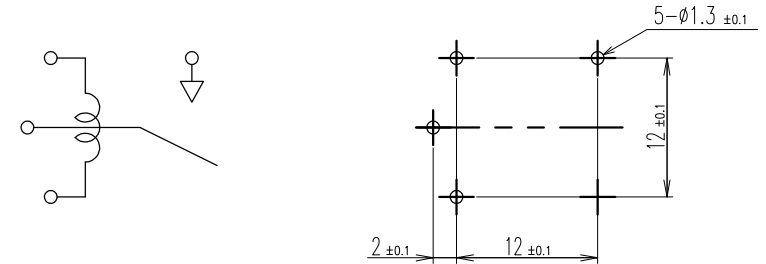
P	LTR	DESCRIPTION	DATE	DWN	APVD
	A1	REVISED PER ECO-11-005140	29MAR11	RK	HMR



VIEW D

CIRCUIT DIAGRAM (BOTTOM VIEW)

DRILLING DIAGRAM (BOTTOM VIEW)



NOTES:
 1. TERMINAL DIMENSION IS BEFORE SOLDER DIP.
 2. LOT NO. SYSTEM AS FOLLOWING:

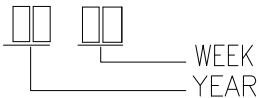


Diagram dimension	Tolerance
0.99mm max.	±0.1mm
1 - 2.99mm	±0.2mm
3mm min.	±0.3mm

DIMENSIONS: mm		TOLERANCES UNLESS OTHERWISE SPECIFIED:		DWN	H.SASAKI						
				CHK	N.FUNAYAMA						
MATERIAL		FINISH		APVD	A.NAGAI	NAME					
				PRODUCT SPEC		T7NS1D1-03 PRODUCT DRAWING					
				APPLICATION SPEC		SIZE	CAGE CODE	DRAWING NO	RESTRICTED TO		
				WEIGHT		A3	00779	C= 1393186-1			
CUSTOMER DRAWING						SCALE	4:1	SHEET	1 OF 2	REV	A1

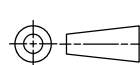

LOC		DIST		REVISIONS				
P	LTR	DESCRIPTION		ECN	DATE	DWN	APVD	

1393186-9	T7NS1D1-48	48V	T7NS1D1-48	i
1393186-8	T7NS1D1-36	36V	T7NS1D1-36	h
1393186-7	T7NS1D1-24	24V	T7NS1D1-24	g
1393186-6	T7NS1D1-18	18V	T7NS1D1-18	f
1393186-5	T7NS1D1-12	12V	T7NS1D1-12	e
1393186-4	T7NS1D1-09	9V	T7NS1D1-09	d
1393186-3	T7NS1D1-06	6V	T7NS1D1-06	c
1393186-2	T7NS1D1-05	5V	T7NS1D1-05	b
1393186-1	T7NS1D1-03	3V	T7NS1D1-03	a
PART NO	TYPE NAME	PART B	PART A	ITEM

RELAY TYPE

6

1

DIMENSIONS: mm 		TOLERANCES UNLESS OTHERWISE SPECIFIED: 0 PLC ± 1 PLC ± 2 PLC ± 3 PLC ± 4 PLC ± ANGLES		DWN CHK APVD PRODUCT SPEC APPLICATION SPEC WEIGHT CUSTOMER DRAWING		 TE Connectivity NAME T7NS1D1-03 PRODUCT DRAWING		SIZE A3		CAGE CODE 00779		DRAWING NO ©= 1393186-1		RESTRICTED TO	
MATERIAL		FINISH		SCALE 4:1		SHEET 2 OF 2		REV A1							