

PART NUMBER	ITEM ① BODY	ITEM ② CONTACT SPRING
108-0754-001	BRASS SILVER PL .0001 MIN OVER COPPER PL .00005 MIN	BERYLLIUM COPPER SILVER PL .0001 MIN OVER COPPER PL .00005 MIN

DRAWING NO.
B-108-0754-001

0	REVISIONS
---	-----------

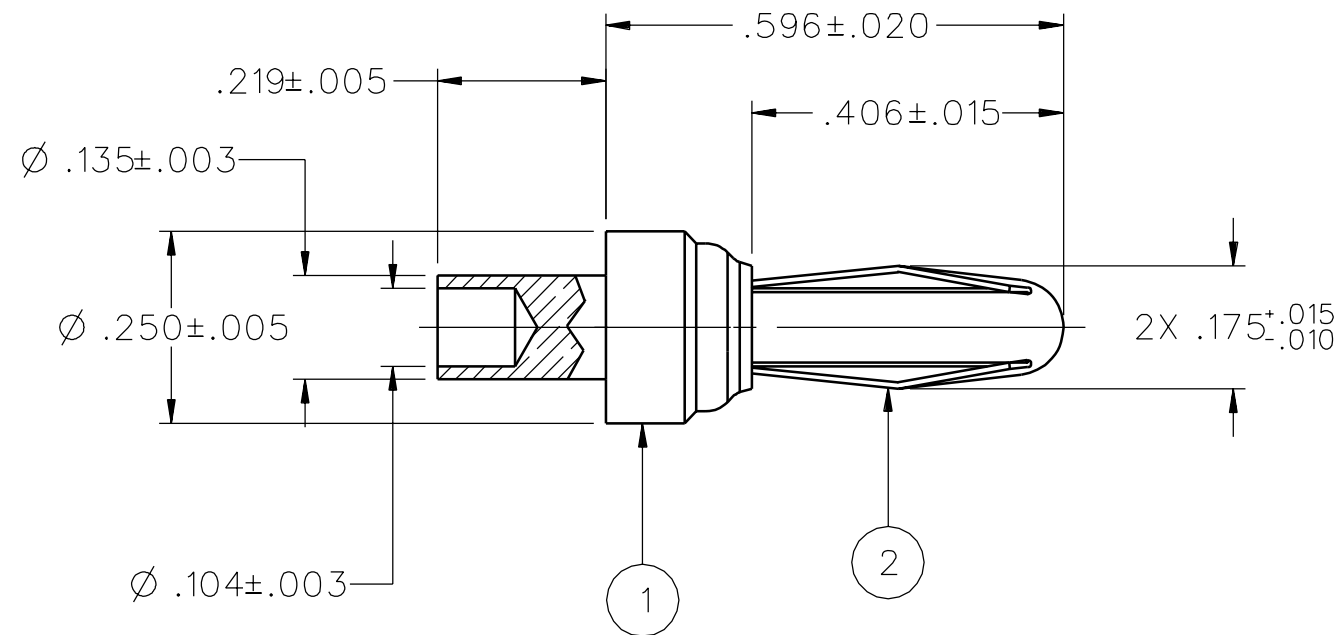
REVISED AND REDRAWN . DRAWING WAS "C" SIZE DATED 6-28-88. CHANGED: .219±.005 WAS .218±.005, DIA.135±.003 WAS DIA.135±.005, DIA .104±.003 WAS .102/.107, 2X.175±.015 -.010 WAS .155±.015-.010, UPDATED NOTES, P/N 108-0754-001 WAS 108-0754-001/025, SPLIT INTO -001,-015 AND -016 OBSOLETED OTHERS

28a	7-12-94	RH	SWC	TAK	RJB	PAH	8-4-94	ECN 42600
-----	---------	----	-----	-----	-----	-----	--------	-----------

CHANGED: 15 POUNDS RETENTION FORCE WAS 25 POUNDS

* REVISION NUMBER FOLLOWED BY AN ALPHA *
* CHARACTER INDICATES DRAWING CLARIFI- *
* CATION OR PART NUMBER ADDITION ONLY. *

28b	5-3-95	RH	DMC	RJB				ECN 43420
-----	--------	----	-----	-----	--	--	--	-----------



NOTES:
1. SPECIFICATIONS:

ELECTRICAL:
CURRENT RATING: 15 AMPS DC MINIMUM
DIELECTRIC WITHSTANDING VOLTAGE: NOT APPLICABLE
RECOMMENDED WORKING VOLTAGE: NOT APPLICABLE
INSULATION RESISTANCE: NOT APPLICABLE
CONTACT RESISTANCE: 10 MILLIOHMS MAXIMUM

MECHANICAL:
INSERTION/WITHDRAWAL FORCE: 1.0 - 15.0 POUNDS
CONTACT SPRING RETENTION FORCE: 15 POUNDS MINIMUM
WIRE ACCEPTABILITY: NOT APPLICABLE
WIRE ATTACHMENT: NOT APPLICABLE
MATING BANANA JACK DIAMETER: .166 NOMINAL
DURABILITY: 1000 CYCLES MINIMUM

ENVIRONMENTAL:
(MEETS OR EXCEEDS THE APPLICABLE PARAGRAPH OF MIL-C-28901)
OPERATING TEMPERATURE: -55 DEG C TO 85 DEG C.
TEMPERATURE RISE AT RATED CURRENT: 10 DEG C MAXIMUM
CORROSION: MIL-STD-1344, METHOD 1001, CONDITION B
SHOCK: MIL-STD-1344, METHOD 2004, CONDITION G
VIBRATION: MIL-STD-1344, METHOD 2005, CONDITION I
HUMIDITY: MIL-STD-1344, METHOD 1002, CONDITION B

CUSTOMER DRAWING

THIS DRAWING TO BE INTERPRETED PER ASME Y 14.5M - 1994

"μ STATION"

COMPANY CONFIDENTIAL

TOLERANCE UNLESS OTHERWISE SPECIFIED		DRAWN BY	DATE
DECIMALS	mm	SWC	4-5-94
.XX	_____	CHECKED BY	DATE
.XXX	_____		
MATL	_____	APPROVED BY	DATE
		TAK/RJB	7-18-94
FINISH	_____	RELEASE DATE	8-4-94
		U/M	INCH
		SCALE	4:1

 **cinch**
CONNECTIVITY SOLUTIONS
a bel group

Cinch Connectivity Solutions
P.O. Box 1732
Waseca, MN 56093
1-800-247-8256

TITLE
ASSEMBLY, BANANA PLUG,
UNINSULATED, ROUND BODY,
RIVET MOUNT

SHEET	DRAWING NO.
2 OF 2	B-108-0754-001