

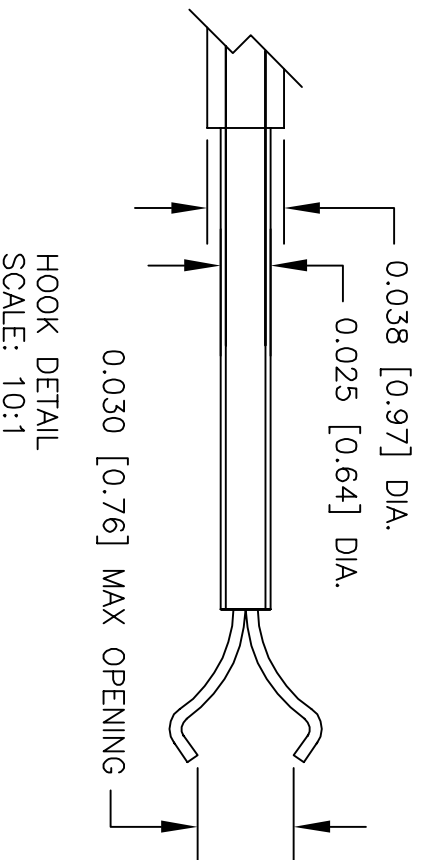
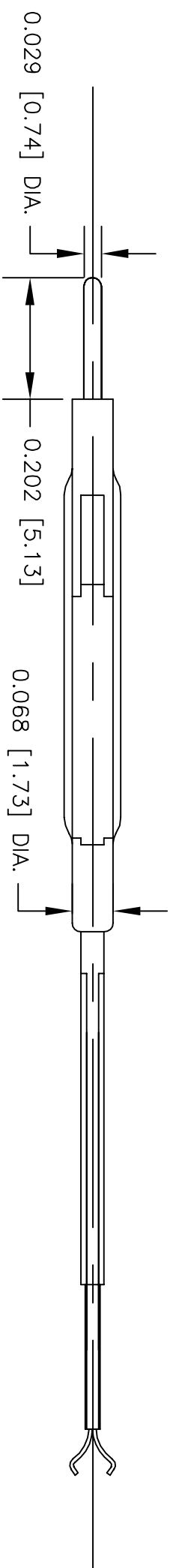
NOTES: UNLESS OTHERWISE SPECIFIED

1. CONSTRUCTION:
HOUSING: MOLDED NYLON TYPE 6,6. AVAILABLE
IN TEN COLORS.

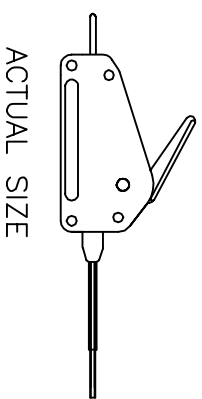
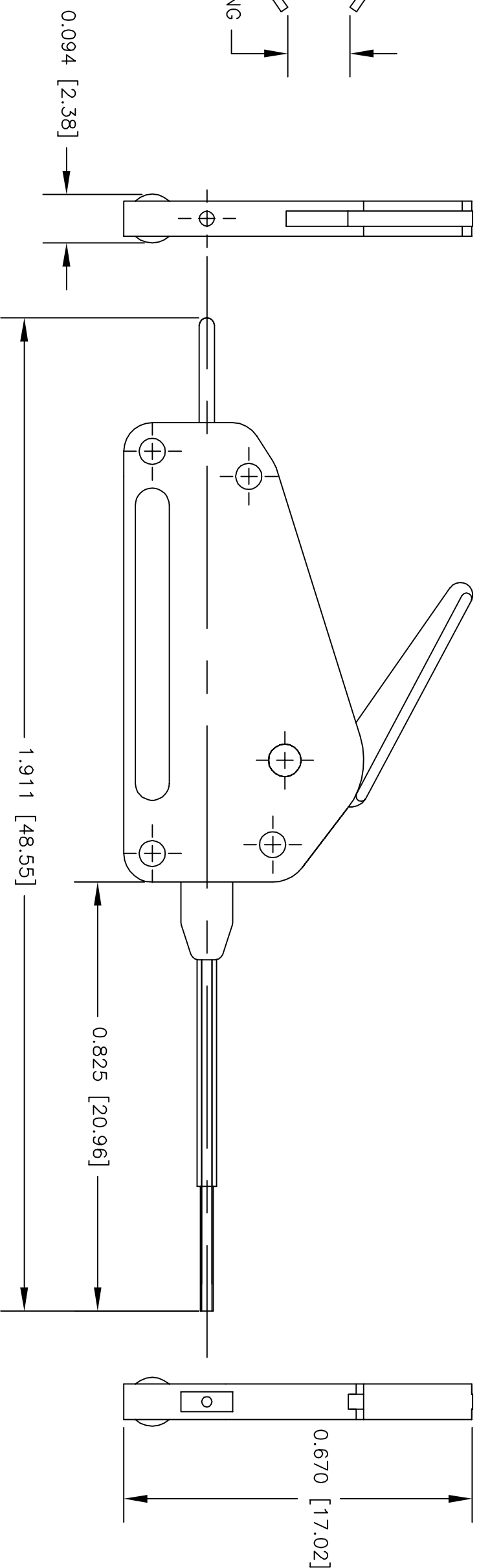
TIP TUBING: INSULATED STAINLESS STEEL.
PIN PLUG: GOLD PLATED COPPER ALLOY.
HOOK: MUSIC WIRE.

2. PERFORMANCE:
MAXIMUM CURRENT: 10 mA
MAXIMUM VOLTAGE: 30 V
MAXIMUM TEMPERATURE: 200°F (93°C)

3. FEATURES:
FITS COMPONENTS UP TO $\varnothing 0.030$ [$\varnothing 0.76$].



HOOK DETAIL
SCALE: 10:1



ACTUAL SIZE

REVISIONS		DATE	APPROVED
LTR	DESCRIPTION		

UNLESS OTHERWISE SPECIFIED DIMENSIONS ARE IN INCHES TOLERANCES ARE: FRACTIONS DECIMALS ANGLES ± .XX ± .XXX ±		CONTRACT NO.	
MATERIAL SEE NOTE.		APPROVALS	DATE
FINISH SEE NOTE.		R.L.	6/09
APPLICATION		APPROVED BY	
NEXT ASSY		USED ON	
DO NOT SCALE DRAWING		SIZE	CODE IDENT NO.
		B	08505
		SCALE	DRAWING NO.
		4:1	X2015
		SHEET 1 OF 1	REV.

EZ-HOOK DIVISION OF TEKTEST INC.
ARCADIA, CA 91006 U.S.A.

DESCRIPTION
E-Z-MICRO DOUBLE TEST
CONNECTOR