

NimbeLink Skywire™ Embedded Cellular Modem

Product Description

Add robust cellular connectivity to your M2M devices without the cost, delay, and hassle of federal and carrier certifications. Extensive experience in designing and building embedded product solutions makes the NimbeLink Skywire™ embedded cellular modem the smallest on the market. Its U.FL port ensures antenna flexibility. It complies with the popular XBEE interface standard and supports 1xRTT communication, minimizing costs of hardware and network access. And Verizon's commitment to the 1xRTT network helps ensure long product life.

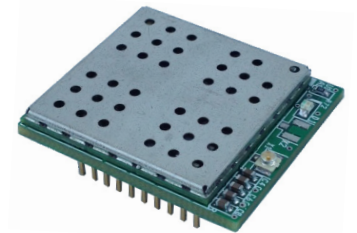
The NimbeLink Skywire™ modem is available with bundled data plans from leading cellular carriers. The current version supports CDMA. Future additions to the product line will support GSM and LTE, and like the current CDMA product will let you quickly, easily, and economically incorporate fully-compliant cellular connectivity into devices without having to apply for certification.

Take the complexity out of designing cellular M2M solutions.

NimbeLink.
Smart. Simple. Cellular.

Advantages

- FCC & Verizon OD Certified
- Lowest cost 2G CDMA 1xRTT
- Migration path to GSM & LTE
- Bundled data plans available



Orderable Part Number	Description
NL-SW-1xRTT-V	Skywire™ Cellular Modem, CDMA 1xRTT, Verizon Network, XBEE form factor
NL-SWDK-1xRTT-V	Skywire™ Development Kit, includes NL-SW-1xRTT-V module

Technical Specifications

Power	Active Call	750mA
	Normal	29mA
	Power Saving	1.1 mA
Input Voltage		3.5V - 4.3V
I / O Voltage		1.65V - 5.5V
Temperature Range		-40 to 85 C
Dimensions		29mm x 33mm x 6.5mm

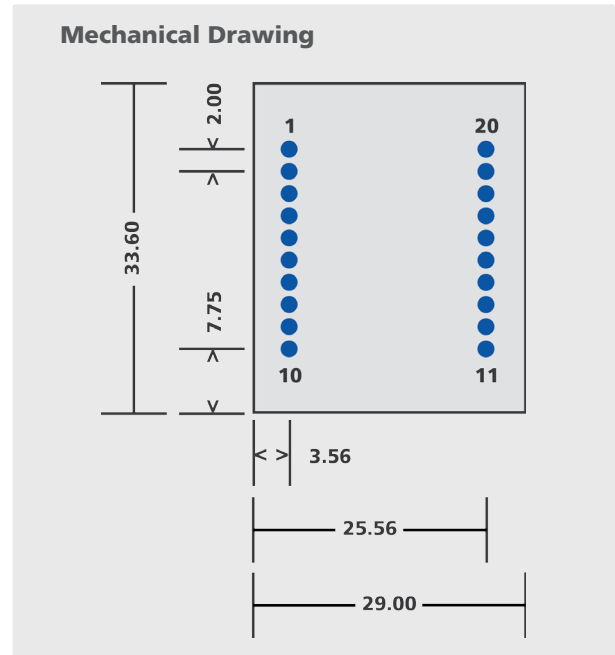
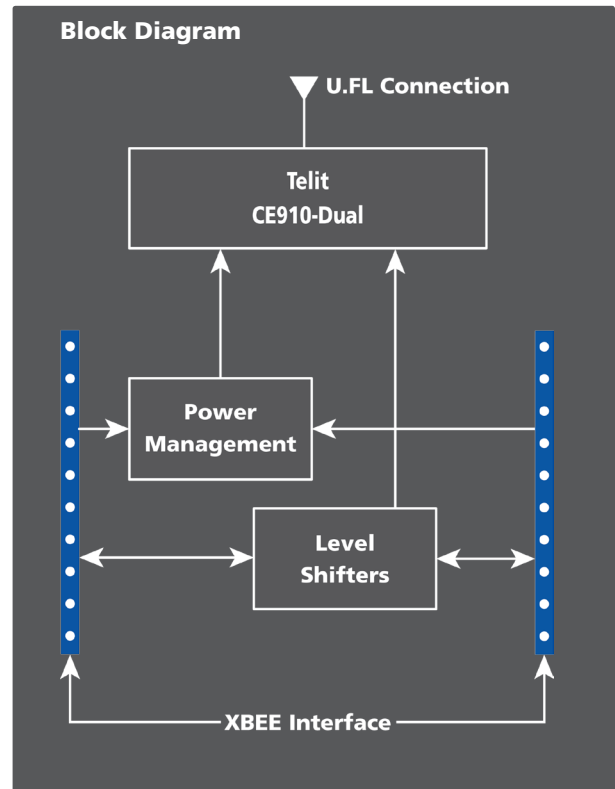
Module Features

- Industry Smallest
- U.FL port for antenna flexibility
- XBEE Form Factor
- Bundled Data Plans from Verizon

Development Kit

The development kit includes one Skywire™ embedded cellular modem, baseboard, antenna, power supply, debug cable, and cellular service plan. The kit enables you to develop your application directly on the Skywire™ embedded cellular modem with three different ways to connect:

- Connect your PC to the CE910-DUAL UART port via onboard USB-to-UART converter and send AT commands directly to the modem through PC terminal applications.
- The baseboard is an Arduino shield, so you can plug the module directly onto an Arduino microcontroller. (Kit includes sample sketches showing how to initialize the modem, make data connections, and send and receive SMS messages.)
- To connect the kit to a different processor or development kit, a 14-pin header breaks out the necessary signals for easy connection to any device. The modem supports I/O levels from 1.65-5.5V, simplifying connection to other systems.



website
email
phone

www.NimbeLink.com
Sales@NimbeLink.com
612-285-3433