

NOTES:

1. ALL DIMENSIONS IN MM [INCH]
2. GENERAL TOLERANCE: X.X=±0.4
X.XX=±0.25
3. TERM. NOS. FOR REFERENCE ONLY.
4. RATING: 4A @125VAC, 2A @250VAC
5. CONTACT RESISTANCE: 10mILLI-OHMS
6. DIELECTRIC STRENGTH: 1500 VAC-1Minute
7. INSULATION RESISTANCE: 500 Mega-OHMS
8. MATERIALS:

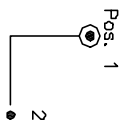
HOUSING: ZINC ALLOY DIE CAST
 CYLINDER: ZINC ALLOY W/CHROME PLATING
 TERMINAL AND CONTACTS: SILVER PLATED
 TUMBLER: 5 DISC MECHANISM W/DUST SHUTTER
 KEYS 7325 (2): BRASS W/NICKEL PLATING
 DOUBLE CUT REVERSIBLE

LEGEND

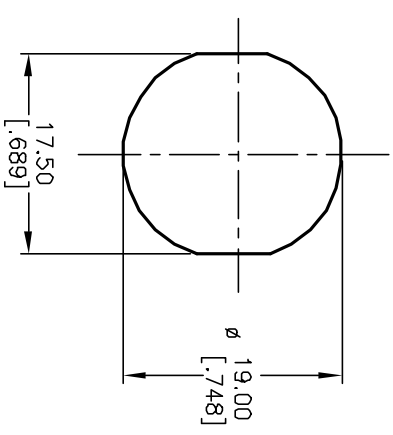
- = INDICATE NO KEY PULL
- ⊙ = INDICATES KEY PULL POSSIBLE

CIRCUIT: SPST
 CONTACT CONFIGURATION

SWITCH FUNCTION	
POS 1	POS 2
↕	↔
DNF	DN



RECOMMENDED PANEL CUTOUT



E-SWITCH®

REV.	ECN No.	DESCRIPTION	DATE	CHKD
A	11746	RELEASED FOR PRODUCTION	10/17/01	CJB

TITLE	SCALE	DATE	DR	DWG	REV
K0119A-7325	1.5:1	10/17/01	CJB	K200118	A

THE INFORMATION CONTAINED IN THIS DOCUMENT IS PROPRIETARY TO E-SWITCH AND IS NOT TO BE COPIED OR TRANSMITTED