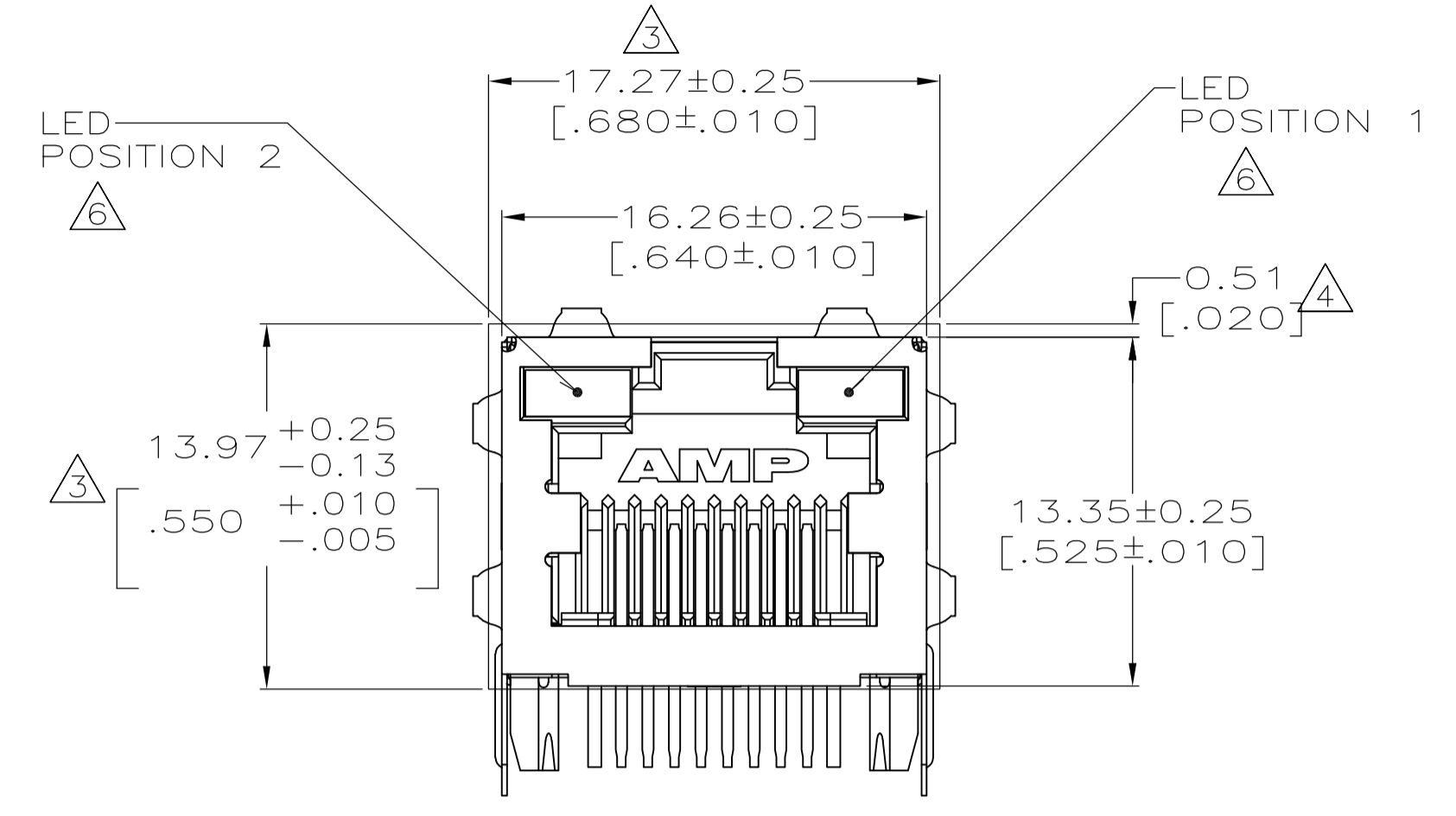
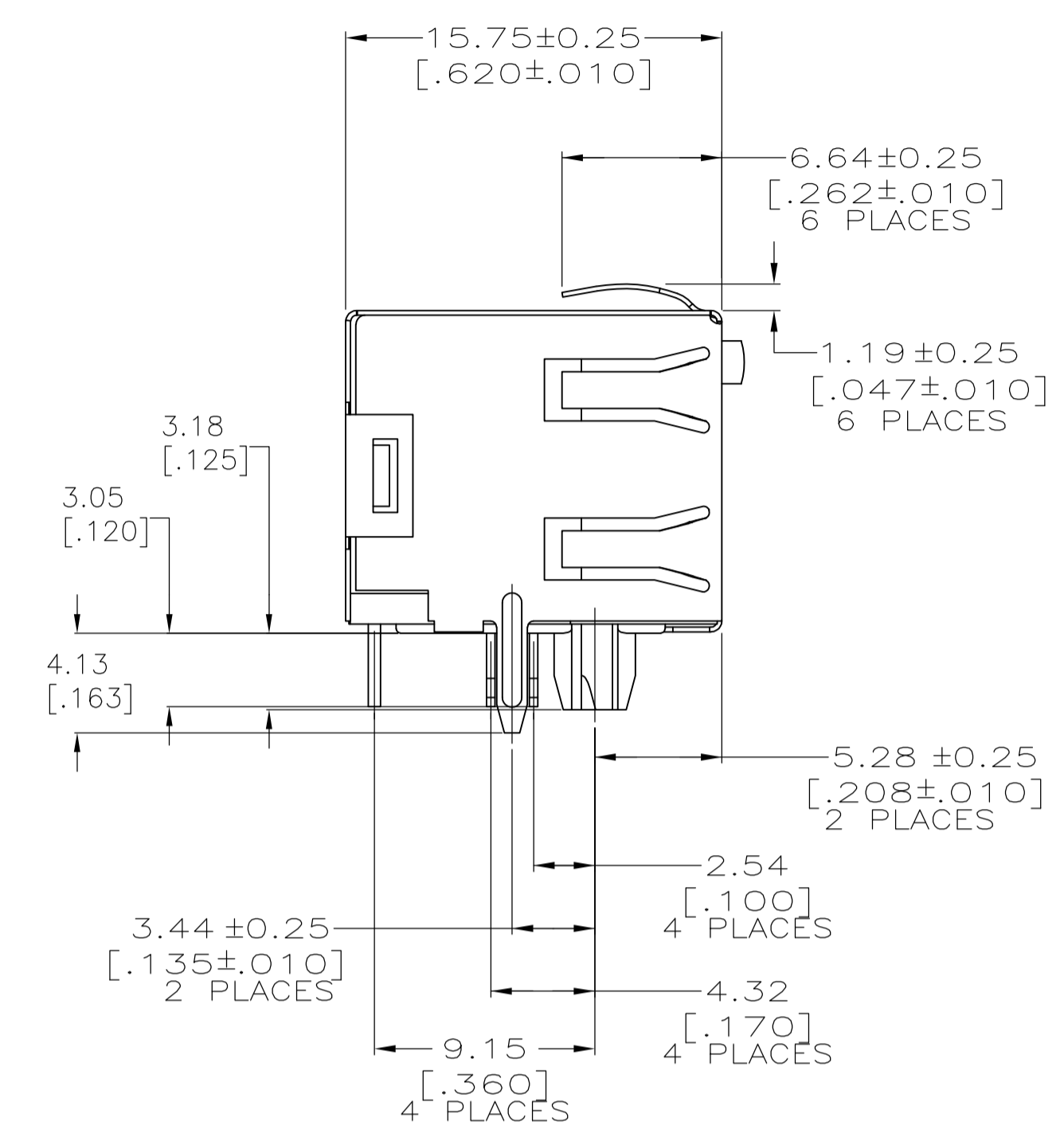
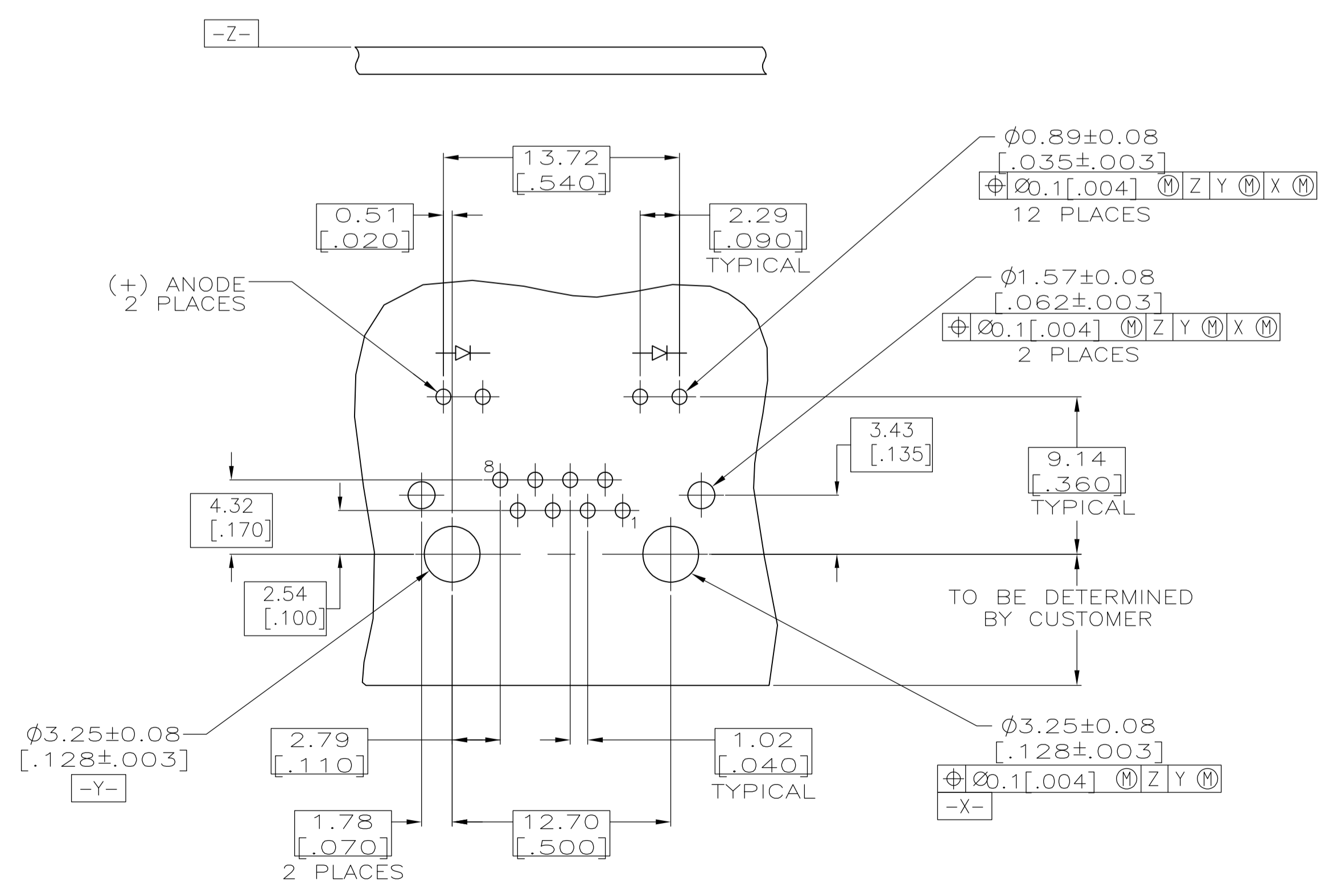


| LOC | | DIST | | REVISIONS | | | |
|-----|---------------|------|---------|-----------|-------|-----|------|
| AA | 00 | REV | DATE | BY | APP'D | REV | DATE |
| E | ECO-08-000390 | | 09JAN08 | LAM | JW | | |



- MATERIAL:
 HOUSING - HIGH TEMPERATURE THERMOPLASTIC, BLACK, UL94V-0.
 TERMINALS - 0.36[.014] THICK PHOS BRONZE PLATED WITH 3.81µm[.000150] MINIMUM THICK BRIGHT TIN LEAD IN SOLDER AREA. 1.27µm[.000050] MINIMUM GOLD IN LOCALIZED PLATE AREA. ENTIRE TERMINAL PLATED WITH 1.27µm[.000050] MINIMUM THICK NICKEL.
 SHIELD - 0.196[.0077] THICK COPPER ZINC ALLOY PREPLATED WITH 1.27µm[.000050] MINIMUM SATIN NICKEL WITH 2.03µm[.000080] MINIMUM TIN POST DIPPED ON PCB GROUND TABS.
 LIGHT EMITTING DIODE (LED) - DIFFUSED EPOXY LENS, 0.51 x 0.51[.020 x .020] CARBON STEEL (WIREFRAME LEADS) PREPLATED WITH 8.89µm[.000350] THICK TIN/COPPER OVER 2.03µm[.000080] THICK SILVER OVER 1.02µm[.000040] THICK COPPER OVER 3.56µm[.000140] THICK NICKEL OVER 1.02µm[.000040] THICK COPPER UNDERPLATE
- JACK CAVITY CONFORMS TO FCC RULES AND REGULATIONS PART 68, SUBPART F.
- SUGGESTED PANEL OPENING DIMENSIONS.
- SUGGESTED CLEARANCE BETWEEN TOP OF CONNECTOR AND TOP PANEL OPENING.
- 0.051[.002] WHITE POLYESTER INSULATOR APPLIED TO BACK OF HOUSING.
- SEE TABLE FOR COLOR OF LEDS AND NUMBER REQUIRED.
- THIS MODULAR JACK WITH INTEGRATED LED IS NOT IR REFLOW SOLDERING PROCESS COMPATIBLE.



SUGGESTED PRINTED CIRCUIT BOARD LAYOUT
 (COMPONENT SIDE)

| INDICATOR COLOR | POSITION 2 | POSITION 1 | PART NUMBER |
|-----------------|------------|------------|-------------|
| GREEN | GREEN | | 1116173-5 |
| GREEN | YELLOW | | 1116173-4 |
| YELLOW | GREEN | | 1116173-1 |

| | | | | |
|--|-------------------|--------------------------|---|-------|
| THIS DRAWING IS A CONTROLLED DOCUMENT. | | DIN D. STRAUSSER 25MAR98 | Tyco Electronics Corporation Harrisburg, PA 17105-3608 | |
| DIMENSIONS: mm [INCHES] | | CHK E. LAURER 27MAR98 | Tyco Electronics Corporation | |
| TOLERANCES UNLESS OTHERWISE SPECIFIED: | | APVD E. LAURER 27MAR98 | NAME | |
| 0. PLC ± - | | PRODUCT SPEC | | |
| 1. PLC ± - | | 108-1163-4 | | |
| 2. PLC ± 0.25[.01] | | APPLICATION SPEC | | |
| 3. PLC ± 0.13[.005] | | 114-2154 | | |
| 4. PLC ± - | | WEIGHT | | |
| ANGLES ± - | | A1 00779 ©=1116173 | | |
| MATERIAL SEE NOTE 1 | FINISH SEE NOTE 1 | RESTRICTED TO | CUSTOMER DRAWING | |
| | | SCALE 4:1 | SHEET 1 of 1 | REV E |