

## Solid-state relays - ST-OE3-230AC/ 24DC/500 - 2911100

Please be informed that the data shown in this PDF Document is generated from our Online Catalog. Please find the complete data in the user's documentation. Our General Terms of Use for Downloads are valid (<http://phoenixcontact.com/download>)




Pluggable input optocoupler, with light indicator and protection circuits in the input and output circuits, input: 230 V AC, output: short-circuit resistant, 12-35 V DC/max. 500 mA, can be plugged on basic termination blocks

The illustration shows version ST-OE  
3- 5 DC/24DC/500



### Key commercial data

Packing unit	1 pc
GTIN	 4 017918 079536
Weight per Piece (excluding packing)	30.83 GRM
Custom tariff number	85364900
Country of origin	Germany

### Technical data

#### Dimensions

Width	20.8 mm
Height	33 mm
Depth	66.5 mm

#### Ambient conditions

Ambient temperature (operation)	-20 °C ... 60 °C
Ambient temperature (storage/transport)	-20 °C ... 70 °C

#### Input data

Nominal input voltage $U_N$	230 V AC $\pm 10$ %
Switching threshold "0" signal in reference to $U_N$	$\leq 0.4$
Switching threshold "1" signal in reference to $U_N$	$\geq 0.8$
Typical input current at $U_N$	6 mA

## Solid-state relays - ST-OE3-230AC/ 24DC/500 - 2911100

### Technical data

#### Input data

Typical response time	20 ms
Typical turn-off time	20 ms
Status display	Yellow LED
Type of protection	Protection against polarity reversal
Protective circuit/component	Polarity protection diode
	RC element
Transmission frequency	3 Hz

#### Output data

Output voltage range	12 V DC ... 35 V DC
Limiting continuous current	500 mA
Current limitation at short-circuits	620 mA (continued short-circuit resistant)
Voltage drop at max. limiting continuous current	1.5 V
Output circuit	3-conductor, ground-referenced
Status display	LED red
Type of protection	Protection against polarity reversal
	Free running
Protective circuit/component	Polarity protection diode
	Damping diode
Output resistor	approx. 50 kΩ

#### General

Test voltage input/output	2.5 kV AC
Mounting position	any
Standards/regulations	DIN VDE 0110

### Classifications

#### eCl@ss

eCl@ss 4.0	27371102
eCl@ss 4.1	27371102
eCl@ss 5.0	27371001
eCl@ss 5.1	27371001
eCl@ss 6.0	27371001

#### ETIM

ETIM 2.0	EC001504
ETIM 3.0	EC001504

## Solid-state relays - ST-OE3-230AC/ 24DC/500 - 2911100

### Classifications

#### ETIM

ETIM 4.0	EC001504
ETIM 5.0	EC001504

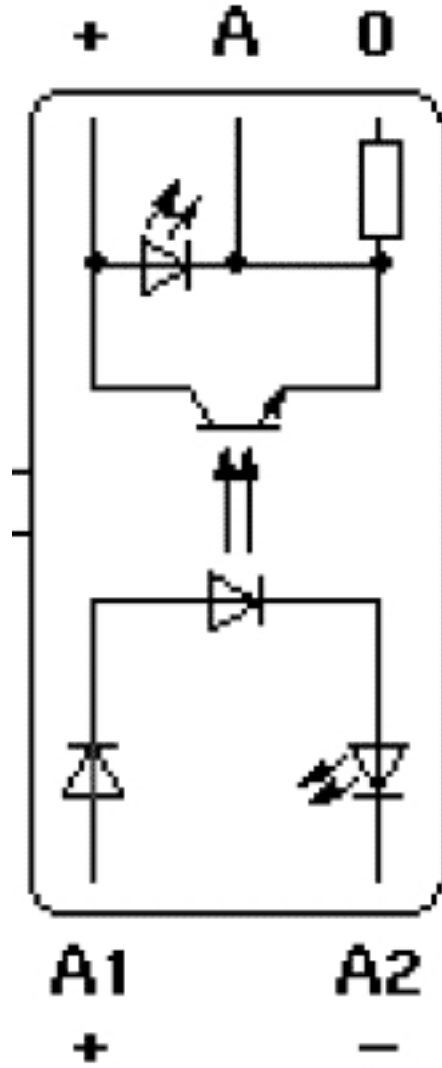
#### UNSPSC

UNSPSC 6.01	30211916
UNSPSC 7.0901	39121542
UNSPSC 11	39121542
UNSPSC 12.01	39121542
UNSPSC 13.2	39121542

### Drawings

# Solid-state relays - ST-OE3-230AC/ 24DC/500 - 2911100

Circuit diagram



# Solid-state relays - ST-OE3-230AC/ 24DC/500 - 2911100

Circuit diagram

