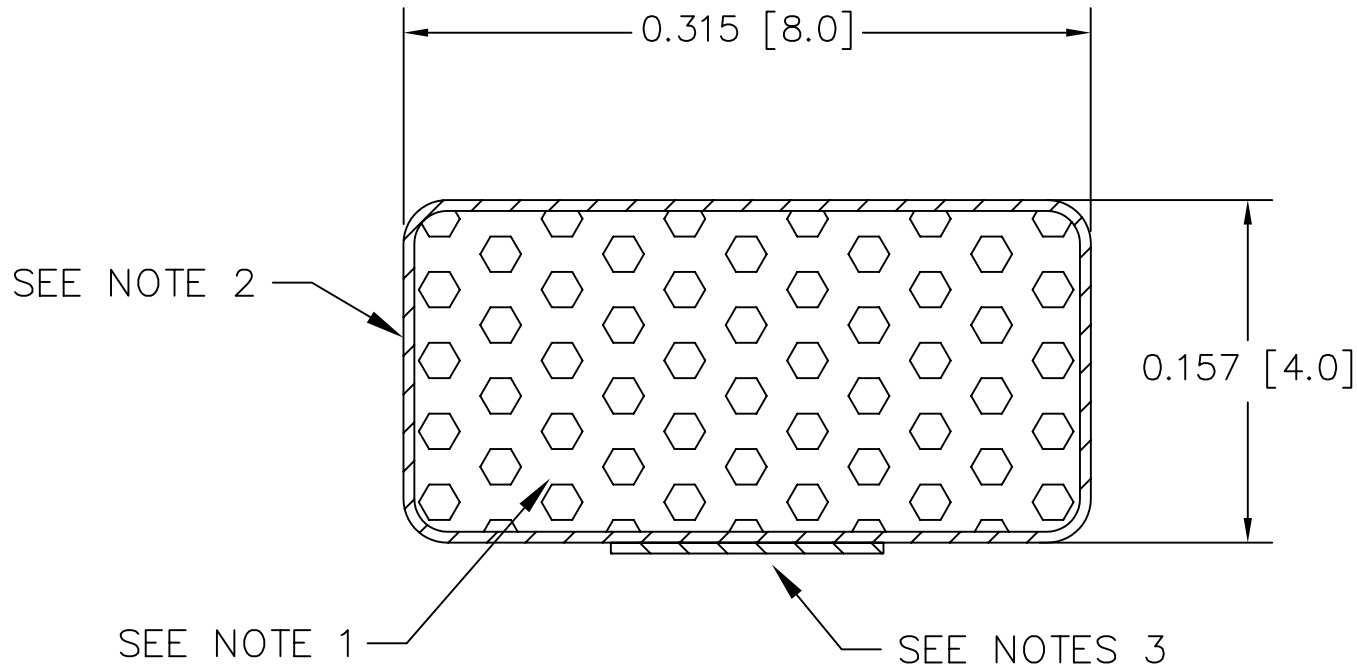


CONFIDENTIAL & PROPRIETARY

THIS INFORMATION IS CONFIDENTIAL AND PROPRIETARY TO LAIRD TECHNOLOGIES. IT MAY NOT BE DISCLOSED TO ANYONE, OTHER THAN LAIRD TECHNOLOGIES PERSONNEL, WITHOUT WRITTEN AUTHORIZATION FROM LAIRD TECHNOLOGIES.



NOTES:

1. FOAM: POLYURETHANE
2. FABRIC: NICKEL PET-TAF FR Ecogreen
3. TAPE: .125" TAPE HI-TEMP
4. LINER: NO EXTENDED RELEASE LINER
5. FABRIC SEAM LOCATION MAY VARY.
6. CARRIER: NO CARRIER
7. THIS PART IS RoHS COMPLIANT AND MEETS THE REQUIREMENTS OF LT-GES-001

REVISIONS:	TITLE:		DRAWN	DATE	SCALE:	DIMENSIONS ARE IN INCHES. UNLESS OTHERWISE SPECIFIED, TOLERANCES ARE AS FOLLOWS:
	SHIELDING GASKET		GIBILTERRA	3/18/08	1/1	
	Dwg. or Part No.		CHECKED BY:	DATE		
	4055-PA-51H		FJG	3/31/08		
	REV.	RELEASED BY:	DATE			
	0	FJG	3/31/08			

DECIMALS	LENGTH
.XX ± .03	0" - 6" ± .030"
.XXX ± .020	6" - 11" ± .050"
	11" - 48" ± .100"
ANGLES	48° - 70° ± .187°
	70° - 144° ± .250°

