


**AB-SK/E**

Order No.: 3026476

<http://eshop.phoenixcontact.de/phoenix/treeViewClick.do?UID=3026476>

Support, Length: 10 mm, Width: 56 mm, Height: 20 mm, Color: silver

**Commercial data**

GTIN (EAN)	 4 017918 168001
sales group	A502
Pack	10 pcs.
Customs tariff	76169990
Catalog page information	Page 681 (CL-2009)

**Product notes**WEEE/RoHS-compliant since:  
01/01/2003

<http://www.download.phoenixcontact.com>  
Please note that the data given here has been taken from the online catalog. For comprehensive information and data, please refer to the user documentation. The General Terms and Conditions of Use apply to Internet downloads.

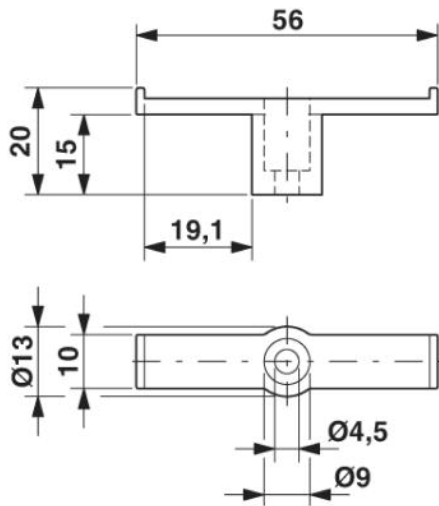
**Technical data****General**

Length (b)	10 mm
Height	20 mm
Width (a)	56 mm
Color	silver
Material	Aluminum

## Diagrams/Drawings

Dimensioned drawing

---



AB-SK/E Order No.: 3026476

<http://eshop.phoenixcontact.de/phoenix/treeViewClick.do?UID=3026476>

---

**Address**

PHOENIX CONTACT Inc., USA  
586 Fulling Mill Road  
Middletown, PA 17057, USA  
Phone (800) 888-7388  
Fax (717) 944-1625  
<http://www.phoenixcon.com>



© 2010 Phoenix Contact  
Technical modifications reserved;