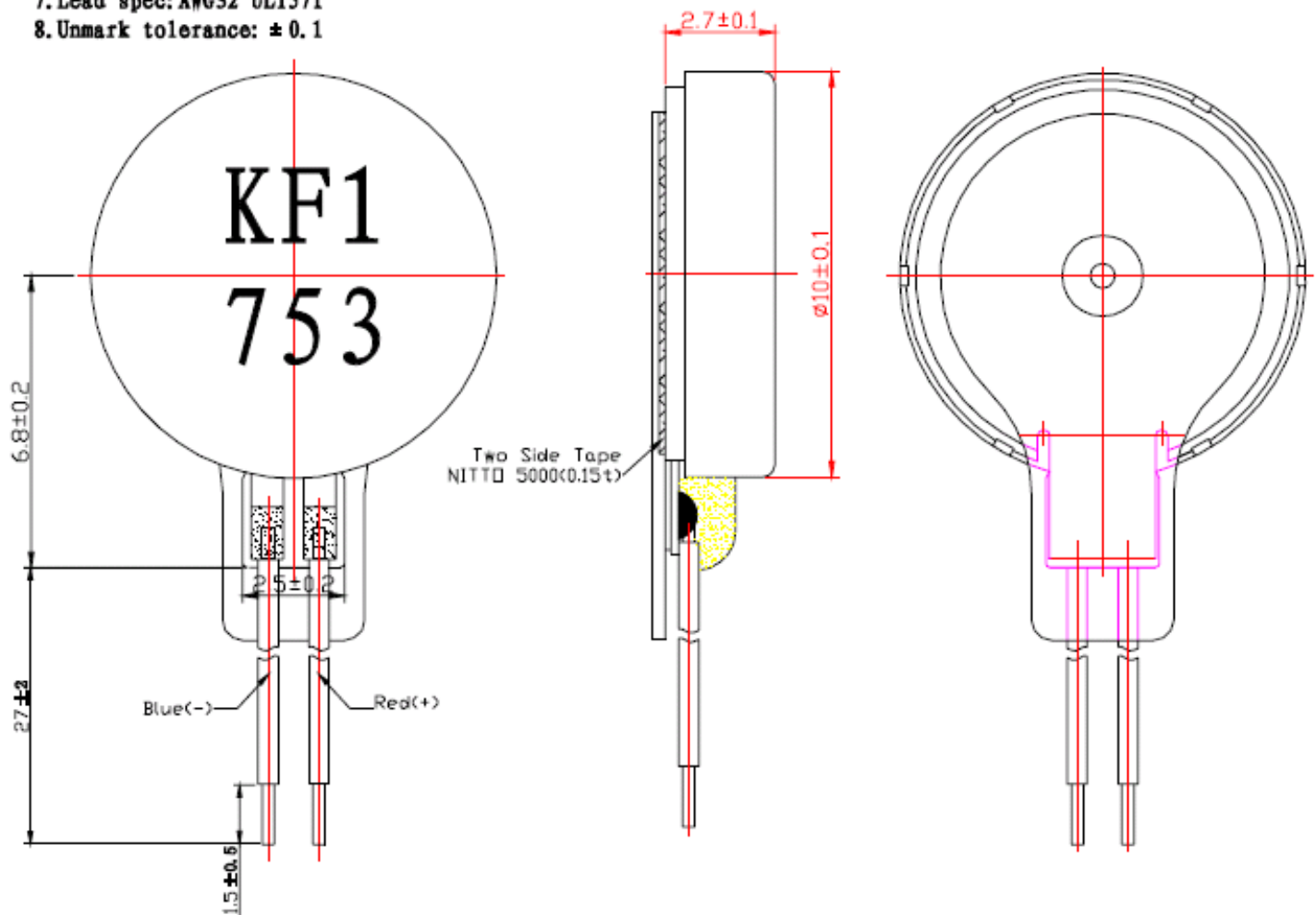




Part No. **C1026B002F**

Technic requirment

1. Rate voltage: 3.0V
2. Rate current: 90mA Max
3. Rate speed: 9,000r/min Min
4. Starting voltage: 2.3V Max
5. Terminal resistance:
 - 31 Ω ±15% (single resistance)
 - 59 Ω ±15% (compose resistance)
6. At DC 100V, that lead wire and case thin out the insulation resistance: >10 Ω
7. Lead spec: AWG32 UL1571
8. Unmark tolerance: ±0.1



1. General

This specification applies to coin permanent-magnetic motors DC model **C1026B** series.

2. Operating condition

Item	Specification
2-1	Rated voltage 3.0 V DC
2-2	Operating voltage 2.7~3.3 V DC

2-3	Rotation	CW(clockwise) or CCW(contrary clockwise)
2-4	Operating environment	-20°C ~ +60°C, Ordinary Humidity
2-5	Storage environment	-30°C ~ +70°C, Ordinary Humidity

3. Measuring condition

Item	Specification	
3-1	Temperature	25±3°C
3-2	Humidity	65±20% RH
3-2	Air pressure	1013±40 hPa
3-4	Power supply	DC power supply or battery 3.0V

4. Electrical initial characteristics

Item	Specification	Condition
4-1	Rated speed	9,000 rpm Min
4-2	Rated current	90 mA Max
4-3	Starting current	120 mA Max
4-4	Starting voltage	2.3 V DC Max
4-5	Insulation resistance	10 MΩ Min
4-6	Terminal resistance	31 Ω ± 15% 59 Ω ± 15%

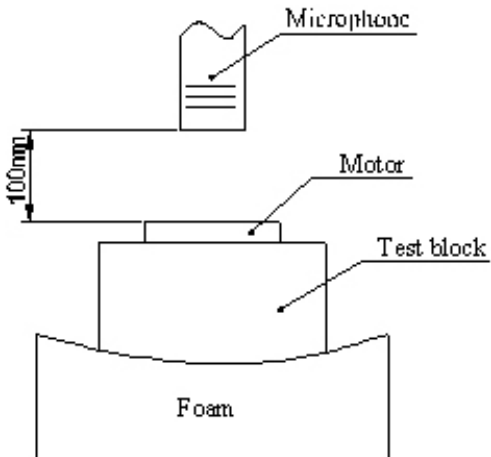
At rated voltage

Motor is rotating at min starting voltage.

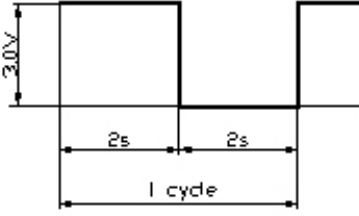
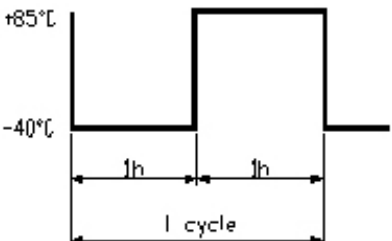
At DC 100V between lead wire and case.

At 25C°

5. Mechanical characteristics

Item	Specification	
5-1	Bracket deflection strength	9.8 N or more
5-2	Mechanical noise	50 dB(A)Max
At rated voltage, back ground noise 28dB(A) Max		
 <p>The diagram illustrates the test setup for measuring mechanical noise. It shows a motor mounted on a test block, which is placed on a foam base. A microphone is positioned 100mm above the motor to measure noise.</p>		

6. Durability characteristics

Item	Specification	Requirements
6-1 Lifetime	 <p style="text-align: center;">Test cycle 50,000 cycles</p>	After the test, motors shall be approved as specified in item 7-1.
6-2 Low temp exposure	Temperature : -30°C Time : 96 h	After 4 hours exposure in ordinary temperature and humidity, motors shall be approved as specified in item 7-2.
6-3 High temp exposure	Temperature : +70°C Time : 96 h	
6-4 Humidity exposure	Temperature : +40°C Humidity : 95%RH Exposure time : 96 h No condensation of moisture	
6-5 Vibration	Displacement : 1.5mm (p-p) Frequency: 10~55Hz Acceleration: 22m/s ² Period: 10 Minutes log sweep (10~55~10Hz) Condition : This motion shall be applied for a period of 10 minutes in each of 3 mutually perpendicular axes.	After the test motors shall be approved as specified in item 7-2.
6-6 Free fall	Test state: Set the motor to the approximately 100 g (include the motor) weight of block drop the motor on the concrete floor. Height :1.5 m Direction : ±x, ±y, ±z Number of times: Each 3 times Shock : 29,420 N m/s ² Equivalent (3,000 G)	After the test motors shall be approved as specified in item 7-2.
6-7 Heat stock test	 <p style="text-align: center;">Test cycle: 15 cycles.</p>	After the test motors shall be approved as specified in item 7-2.

7. Requirements

Item		Requirements
7-1	Table A	1) Rated speed: data-30 % Initial Min/ data+50 % Initial Max 2) Rated current: data-30 % Initial Min/ data+50 % Initial Max 3) Starting voltage: 2.5 V DC Max 4) Insulation resistance: 10 MΩ Min
7-2	Table B	1) Rated speed: Initial data± 20 % Max 2) Rated current: Initial data± 20 % Max 3) Starting voltage: 2.5 V DC Max 4) Terminal resistance: Initial data± 15% Max

8. Matters to be paid attention to when using motor

8-1 Unless it is used in accordance with the specifications, the performance and life may be considerably reduced .
Due attention should be paid to voltage and range for use

8-2 Avoid use or save the motor in the following environment.

1. High temperature and high humidity area.
2. Corrosive gas such as H₂S•SO₂•NO₂•Cl₂.
3. Dusty area.

8-3 Due attention must be paid to the handling and working environments because such objects as iron powder if attracted by the motor magnet, will cause noise, characteristic deterioration thus reducing the reliability.

8-4 Please confirm enough no problem of standards and laws and ordinances on your cellular.

8-5 To handle the motor, hold the motor case softly.

8-6 Rust of plate (steel) and similar edge should be OK.