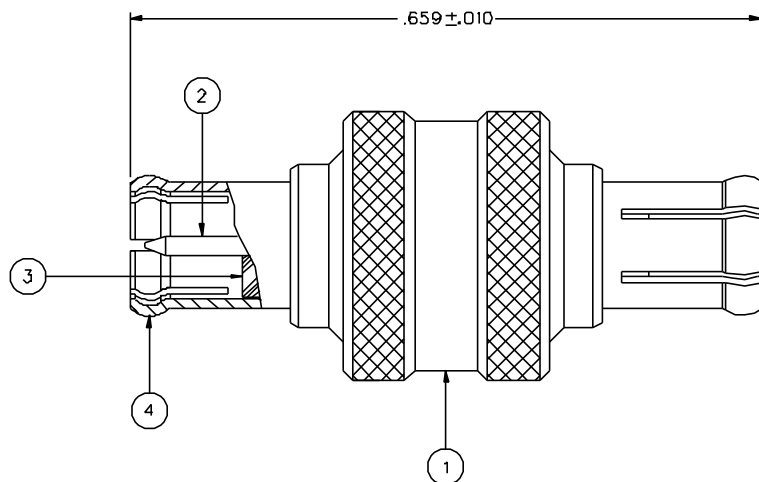


PART NUMBER	ITEM ① BODY	ITEM ② CONTACT	ITEM ③ 2X INSULATOR	ITEM ④ 2X MCX INTERFACE
133-8901-811	BRASS GOLD PL .00001 MIN OVER NICKEL PL .00005 MIN OVER COPPER PL .00005 MIN	BERYLLIUM COPPER GOLD PL .00005 MIN OVER NICKEL PL .00005 MIN OVER COPPER PL .00005 MIN	TEFLON	BERYLLIUM COPPER GOLD PL .00003 MIN OVER NICKEL PL .00005 MIN OVER COPPER PL .00005 MIN



NOTES:

1. SPECIFICATIONS:

IMPEDENCE: 75 OHMS
 FREQUENCY RANGE: 0-6 GHz
 VSWR: 1.07-.03 F MAX (F IN GHz)
 WORKING VOLTAGE: 335 VRMS MAX AT SEA LEVEL
 DIELECTRIC WITHSTANDING VOLTAGE: 1000 VRMS MIN AT SEA LEVEL
 INSULATION RESISTANCE: 1000 MEGOHM MIN
 CONTACT RESISTANCE:
 CENTER CONTACT - INITIAL 5 MILLIOHM MAX, AFTER ENVIRONMENTAL 8 MILLIOHM MAX
 OUTER CONDUCTOR - INITIAL 1.0 MILLIOHM MAX, AFTER ENVIRONMENTAL 1.5 MILLIOHM MAX
 BRAID TO BODY - NOT APPLICABLE
 CORONA LEVEL: 250 VOLTS MIN AT 70,000 FEET
 INSERTION LOSS: NOT APPLICABLE
 RF LEAKAGE: NOT APPLICABLE
 RF HIGH POTENTIAL WITHSTANDING VOLTAGE: 600 VRMS MIN AT 4 AND 7 MHz

MECHANICAL:

ENGAGE/DISENGAGE FORCE: 5.6 LBS MAX ENGAGEMENT
 1.0/8.0 LBS MIN/MAX DISENGAGEMENT
 MATING TORQUE: NOT APPLICABLE
 COUPLING PROOF TORQUE: NOT APPLICABLE
 COUPLING NUT RETENTION: NOT APPLICABLE
 CONTACT RETENTION: 2.3 LBS MIN AXIAL FORCE
 CABLE ACCEPTABILITY: NOT APPLICABLE
 CABLE HEX CRIMP SIZE: NOT APPLICABLE
 CABLE RETENTION: NOT APPLICABLE
 DURABILITY: 500 CYCLES MIN

ENVIRONMENTAL:

(MEETS OR EXCEEDS THE APPLICABLE PARAGRAPH OF MIL-C-39012)
 THERMAL SHOCK: MIL-STD-202, METHOD 107, CONDITION B
 OPERATING TEMPERATURE: -65°C TO -165°C
 CORROSION: MIL-STD-202, METHOD 101, CONDITION B
 SHOCK: MIL-STD-202, METHOD 213, CONDITION B
 VIBRATION: MIL-STD-202, METHOD 204, CONDITION B
 MOSTURE RESISTANCE: MIL-STD-202, METHOD 106


DRAWING NO. C - 133-8901-811/820	
0	REVISIONS
ENGINEERING RELEASE	
1	1-4-99 R H B J 81-24-00 ECN 46651
CHANGED: 1.0/8.0 LBS MIN/MAX DISENGAGE WAS 3.0 LBS TYP, 1.0 LBS MIN, 2.3 LBS MIN RETENTION WAS 4 LBS	
* REVISION NUMBER FOLLOWED BY AN ALPHA * * CHARACTER INDICATES DRAWING CLARIF. * * CAUTION OR PART NUMBER ADDITION ONLY. *	
1a	10-20-00 R H B J ECN 47378

CUSTOMER DRAWING

THIS DRAWING TO BE INTERPRETED PER ANS Y 14.5M - 1982

"μSTATION"

COMPANY CONFIDENTIAL

TOLERANCE UNLESS OTHERWISE SPECIFIED	DRAWN BY JRK	DATE 8-27-99	 <small>Cinch Connectivity Solutions 299 Johnson Ave. Ste. 100 Waukegan, WI 53095 1-800-247-8256</small>	
DECIMALS .XX	CHECKED BY JRK	DATE 1-7-00	TITLE ASSEMBLY, ADAPTER, 75 OHM MCX JACK TO JACK	
.XXX	APPROVED BY RJB	DATE 1-10-00		
MATL	APPROVED BY	DATE	CODE NO.	DRAWING NO. C - 133-8901-811/820
FINISH	RELEASE DATE	1-24-00	SCALE	10:1 U/M INCH SHEET 2 OF 2