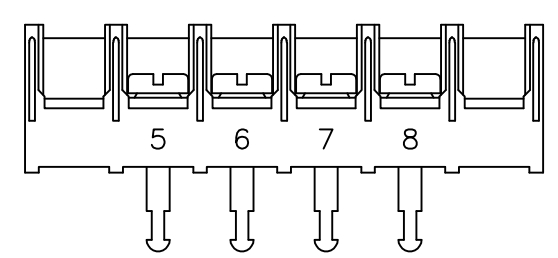
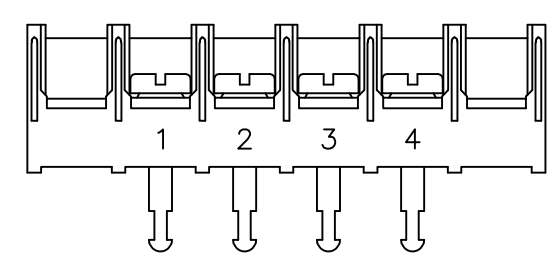
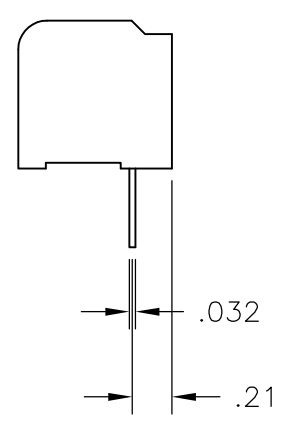
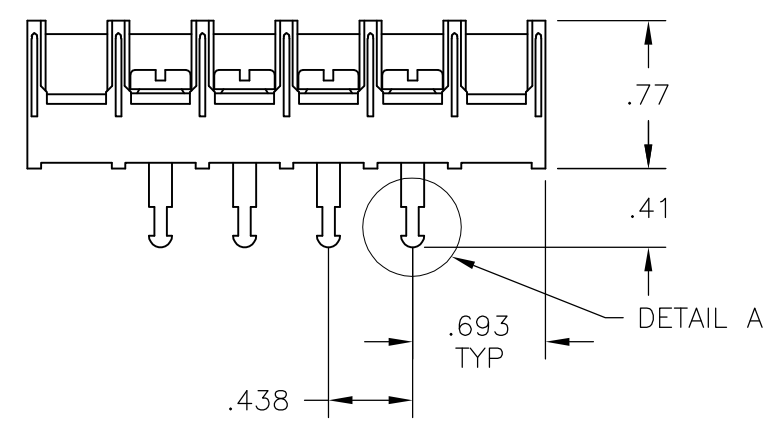
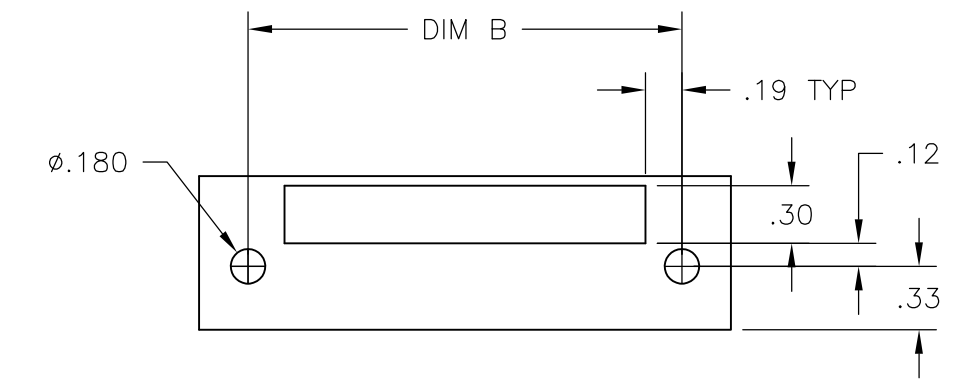
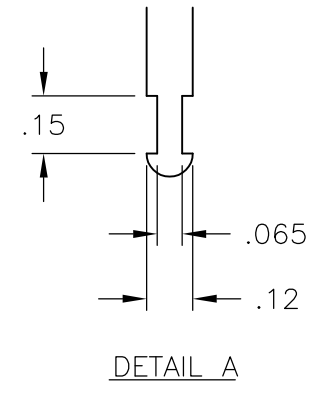
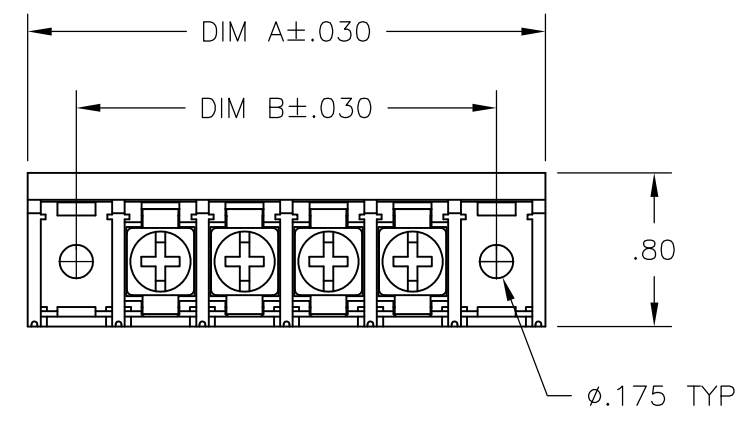


THIS DRAWING IS UNPUBLISHED. RELEASED FOR PUBLICATION
 © COPYRIGHT BY TYCO ELECTRONICS CORPORATION. ALL RIGHTS RESERVED.

LOC	DIST	REVISIONS					
FT	0	P	LTR	DESCRIPTION	DATE	DWN	APVD
			D	REVISED PER ECO-10-004812	06MAY10	HMR	CR



1-796857-9

2-796857-0

8.312	8.823	18	8STV-18-006	1-796857-8
7.875	8.385	17	8STV-17-006	1-796857-7
7.437	7.948	16	8STV-16-006	1-796857-6
7.000	7.510	15	8STV-15-006	796857-2
6.562	7.073	14	8STV-14-006	1-796857-4
6.125	6.635	13	8STV-13-006	1-796857-3
5.687	6.198	12	8STV-12-006	6-1437659-6
5.250	5.760	11	8STV-11-006	1-796857-1
4.812	5.323	10	8STV-10-006	6-1437659-4
4.375	4.885	9	8STV-09-006	6-1437659-3
3.937	4.448	8	8STV-08-006	796857-8
3.500	4.010	7	8STV-07-006	796857-7
3.062	3.573	6	8STV-06-006	796857-1
2.625	3.135	5	8STV-05-006	796857-6
2.187	2.698	4	8STV-04-660	2-796857-0
2.187	2.698	4	8STV-04-659	1-796857-9
2.187	2.698	4	8STV-04-006	5-1437659-2
1.750	2.260	3	8STV-03-006	4-1437659-8
1.313	1.823	2	8STV-02-006	796857-5
DIM B	DIM A	NO OF POS	CATALOG NUMBER	TE PART NO

1
OBSOLETE

MATERIAL:
 HOUSING: THERMOPLASTIC, UL94V-0, BLACK.
 TERMINALS: BRIGHT TIN PLATED COPPER ALLOY.
 SCREWS: 8-32, ZINC PLATED STEEL.

ELECTRICAL:
 CURRENT RATING: 30A
 VOLTAGE RATING: 600V
 WIRE RANGE: 10-18 AWG (UL)
 10-22 AWG (CSA)

ENVIRONMENTAL:
 RECOMMENDED TORQUE: 20 IN-LB.
 OPERATING TEMP.: -40°C TO +120°C

1 OBSOLETE PARTS: OBSOLETE CIS STREAMLINING PER D.RENAUD/D.SINISI

THIS DRAWING IS A CONTROLLED DOCUMENT.		DWN	S SCHLEGEL	2/6/04	Tyco Electronics Corporation Harrisburg, PA 17105-3608			
DIMENSIONS: INCHES		CHK	H WAKEEM	2/6/04				
TOLERANCES UNLESS OTHERWISE SPECIFIED:		APVD	S YODER	2/6/04				
0 PLC ± - 1 PLC ± - 2 PLC ± .01 3 PLC ± .005 4 PLC ± - ANGLES ± 2'		PRODUCT SPEC		NAME				
MATERIAL		APPLICATION SPEC		8STV-XX-006 ASSEMBLY				
FINISH		WEIGHT	-		SIZE	CAGE CODE	DRAWING NO	RESTRICTED TO
-		-		A3		00779	C-4-1437659-8	-
CUSTOMER DRAWING				SCALE	1:1	SHEET	1 OF 1	REV
				D				