

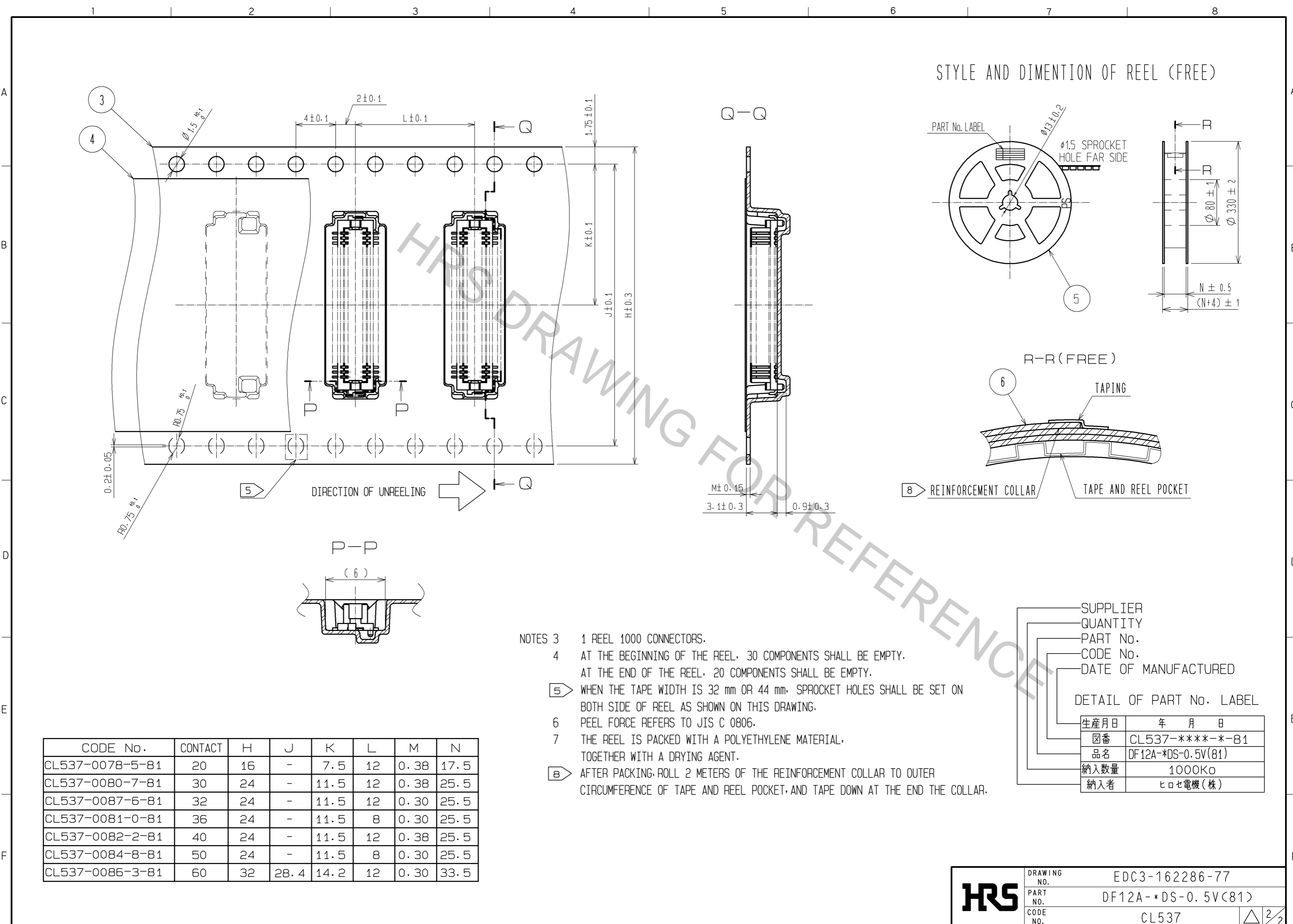
CODE No.	CONTACT	A	B	C	D	E	F
CL537-0078-5-81	20	7.1	4.5	5.2	5.6	6.6	5.3
CL537-0080-7-81	30	9.6	7.0	7.7	8.1	9.1	7.8
CL537-0087-6-81	32	10.1	7.5	8.2	8.6	9.6	8.3
CL537-0081-0-81	36	11.1	8.5	9.2	9.6	10.6	9.3
CL537-0082-2-81	40	12.1	9.5	10.2	10.6	11.6	10.3
CL537-0084-8-81	50	14.6	12.0	12.7	13.1	14.1	12.8
CL537-0086-3-81	60	17.1	14.5	15.2	15.6	16.6	15.3

NOTES 1 LEAD CO-PLANARITY SHALL BE 0.08 mm MAX.
 2 IF THERE IS PATTERN ON PART, THERE IS A POSSIBILITY THAT IT WILL MAKE CONTACT WITH THE LEADS.

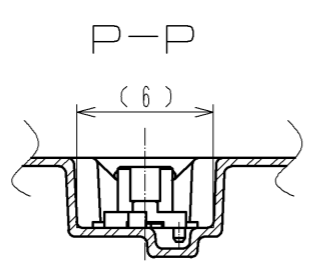
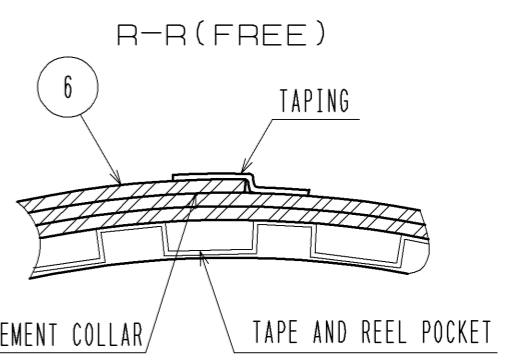
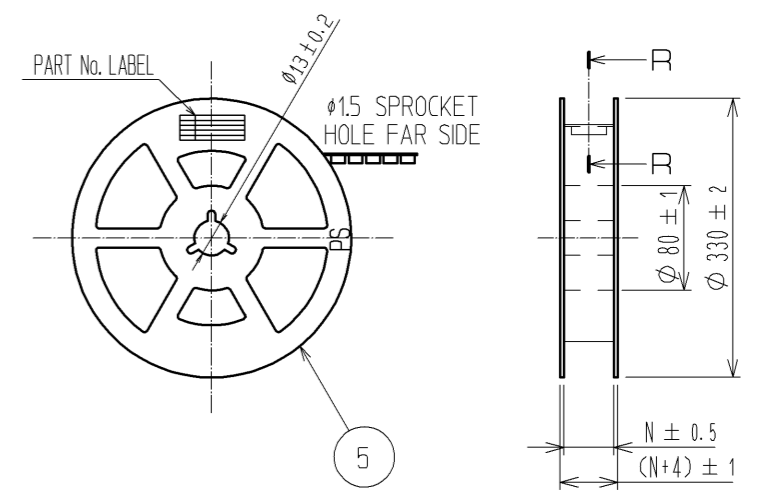
NO.	MATERIAL	FINISH	REMARKS	NO.	MATERIAL	FINISH	REMARKS
2	PHOSPHOR BRONZE	CONTACT AREA: GOLD PLATED 0.2μm min		6	PS		CLEAR (REINFORCEMENT COLLAR)
		LEAD AREA: GOLD PLATED 0.015μm min		5	PS		BLACK (PLASTIC REEL)
		OTHERS (UNDER PLATING): NICKEL PLATED 2μm min		4	POLYESTER		CLEAR (COVER TAPE)
1	POLYAMIDE		UL94V-0, NATURAL (BEIGE)	3	PS		CLEAR (EMBOSSED CARRIER TAPE)

UNITS	SCALE	COUNT	DESCRIPTION OF REVISIONS	DESIGNED	CHECKED	DATE
mm	5 : 1	△				

HRS HIROSE ELECTRIC CO., LTD.	APPROVED : KH. IKEDA	12.04.17	DRAWING NO.	EDC3-162286-77
	CHECKED : YH. MICHIDA	12.04.17	PART NO.	DF12A-*DS-0.5V(81)
	DESIGNED : YN. SAKAMOTO	12.04.16	CODE NO.	CL537
	DRAWN : YN. SAKAMOTO	12.04.16		



STYLE AND DIMENTION OF REEL (FREE)



- NOTES 3 1 REEL 1000 CONNECTORS.
 4 AT THE BEGINNING OF THE REEL, 30 COMPONENTS SHALL BE EMPTY.
 AT THE END OF THE REEL, 20 COMPONENTS SHALL BE EMPTY.
 5 WHEN THE TAPE WIDTH IS 32 mm OR 44 mm, SPROCKET HOLES SHALL BE SET ON BOTH SIDE OF REEL AS SHOWN ON THIS DRAWING.
 6 PEEL FORCE REFERS TO JIS C 0806.
 7 THE REEL IS PACKED WITH A POLYETHYLENE MATERIAL, TOGETHER WITH A DRYING AGENT.
 8 AFTER PACKING, ROLL 2 METERS OF THE REINFORCEMENT COLLAR TO OUTER CIRCUMFERENCE OF TAPE AND REEL POCKET, AND TAPE DOWN AT THE END THE COLLAR.

SUPPLIER
 QUANTITY
 PART No.
 CODE No.
 DATE OF MANUFACTURED

DETAIL OF PART No. LABEL

生産月日	年 月 日
図番	CL537-****-*81
品名	DF12A-*DS-0.5V(81)
納入数量	1000ko
納入者	ヒロセ電機(株)

CODE No.	CONTACT	H	J	K	L	M	N
CL537-0078-5-81	20	16	-	7.5	12	0.38	17.5
CL537-0080-7-81	30	24	-	11.5	12	0.38	25.5
CL537-0087-6-81	32	24	-	11.5	12	0.30	25.5
CL537-0081-0-81	36	24	-	11.5	8	0.30	25.5
CL537-0082-2-81	40	24	-	11.5	12	0.38	25.5
CL537-0084-8-81	50	24	-	11.5	8	0.30	25.5
CL537-0086-3-81	60	32	28.4	14.2	12	0.30	33.5

HRS DRAWING NO. EDC3-162286-77
 PART NO. DF12A-*DS-0.5V(81)
 CODE NO. CL537