

BRUSHLESS DC FANS

F412R

FEATURES

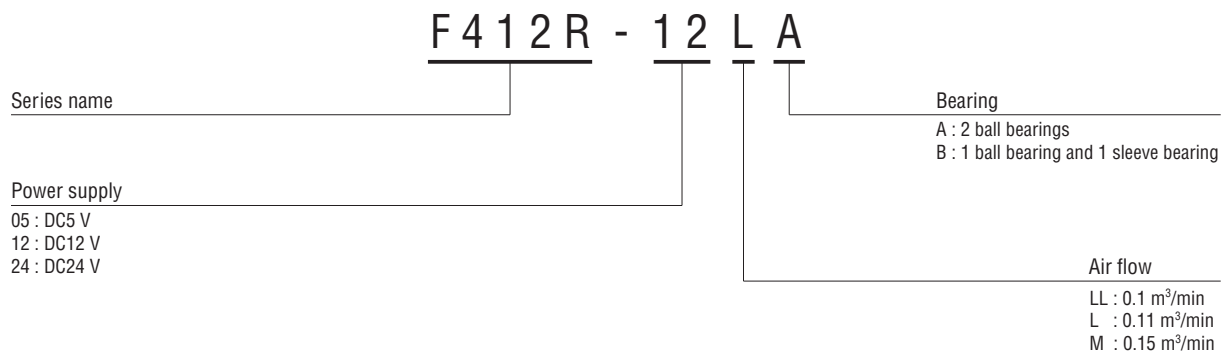
- Low noise 14 dB (A)
- Light weight (approx. 20 g)

STRUCTURE

- Frame and impeller
ABS/PBT alloy
- Bearing
A type : 2 ball bearings
B type : 1 ball bearing and 1 sleeve bearing



PART NUMBER DESIGNATION



LIST OF PART NUMBERS

Static pressure [Pa]	Noise [dB (A)]	Bearing	Power supply	Part number
11.8	14	B	DC12 V	F412R-12LLB
14.7	16		DC5 V	F412R-05LB
			DC12 V	F412R-12LB
			DC24 V	F412R-24LB
25.5	23	DC5 V	F412R-05MB	
		DC12 V	F412R-12MB	
		DC24 V	F412R-24MB	
14.7	16	A	DC12 V	F412R-12LA
			DC24 V	F412R-24LA
25.5	23		DC12 V	F412R-12MA
			DC24 V	F412R-24MA

* : Verify the above part numbers when placing orders.

F412R

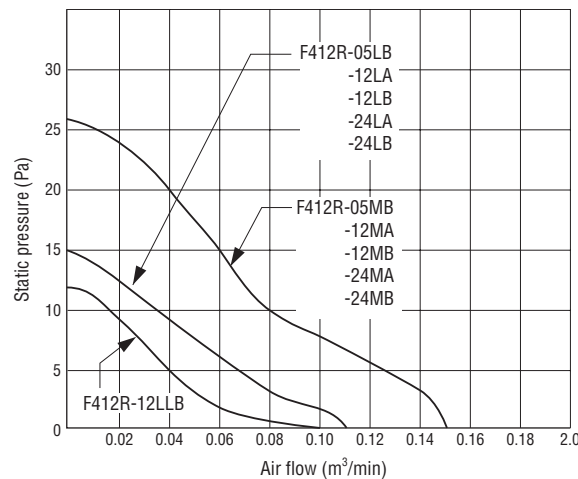
BRUSHLESS DC FANS

STANDARD SPECIFICATIONS

Item	F412R-12LLB	F412R-05LB	F412R-05MB	F412R-12LA -12LB	F412R-12MA -12MB	F412R-24LA -24LB	F412R-24MA -24MB
Rated voltage	DC12 V	DC5 V		DC12 V		DC24 V	
Voltage range	10.2 ~ 13.8 V	4.5 ~ 5.7 V	4.2 ~ 5.7 V	10.2 ~ 13.8 V	10.2 ~ 13.8 V	20.4 ~ 27.6 V	20.4 ~ 26.4 V
Rated current	0.04 A	0.08 A	0.10 A	0.04 A	0.06 A	0.03 A	0.04 A
Rotating speed	3750 min ⁻¹	4200 min ⁻¹	5400 min ⁻¹	4200 min ⁻¹	5400 min ⁻¹	4200 min ⁻¹	5400 min ⁻¹
Air flow	0.1 m ³ /min	0.11 m ³ /min	0.15 m ³ /min	0.11 m ³ /min	0.15 m ³ /min	0.11 m ³ /min	0.15 m ³ /min
Static pressure	12 Pa	15 Pa	26 Pa	15 Pa	26 Pa	15 Pa	26 Pa
Noise	14 dB (A)	16 dB (A)	23 dB (A)	16 dB (A)	23 dB (A)	16 dB (A)	23 dB (A)
Net weight	Approx. 20 g						

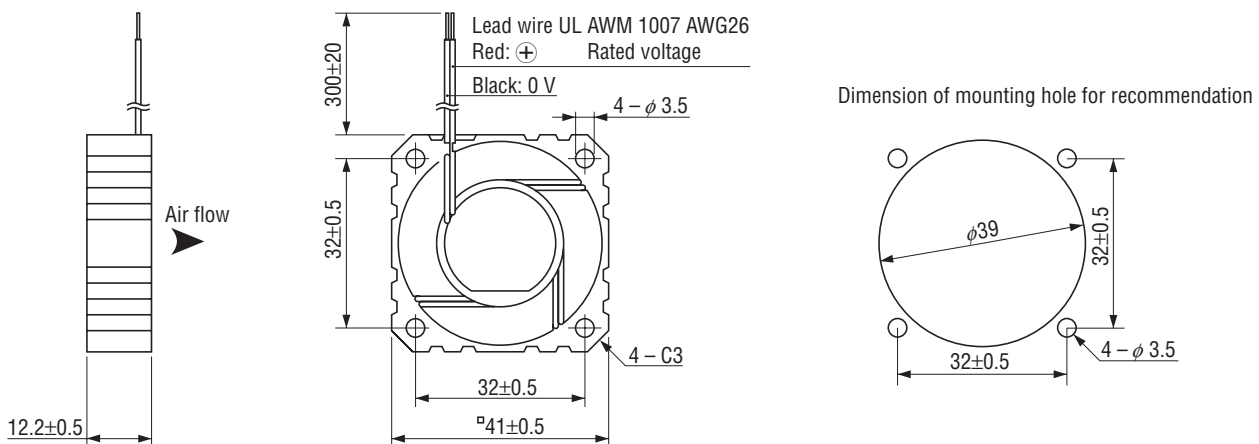
* : Figures in the table are typical values under rated operating condition.

AIR FLOW PERFORMANCE CURVES



OUTLINE DIMENSIONS

(Unit: mm)



■ Specifications are subject to change without notice. Specifications in this catalog are for reference. The formal specification sheets will be submitted upon request.