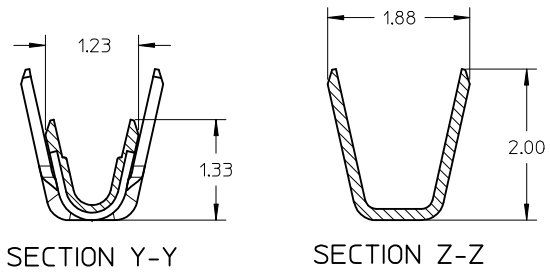
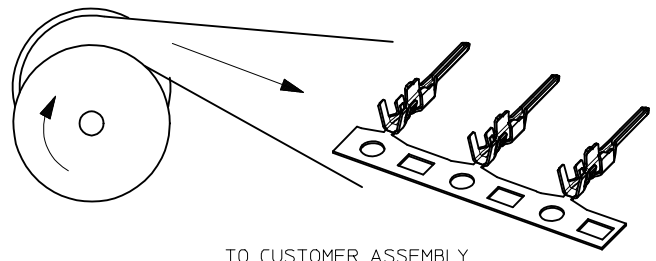
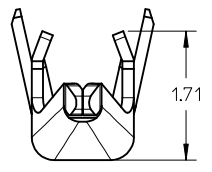
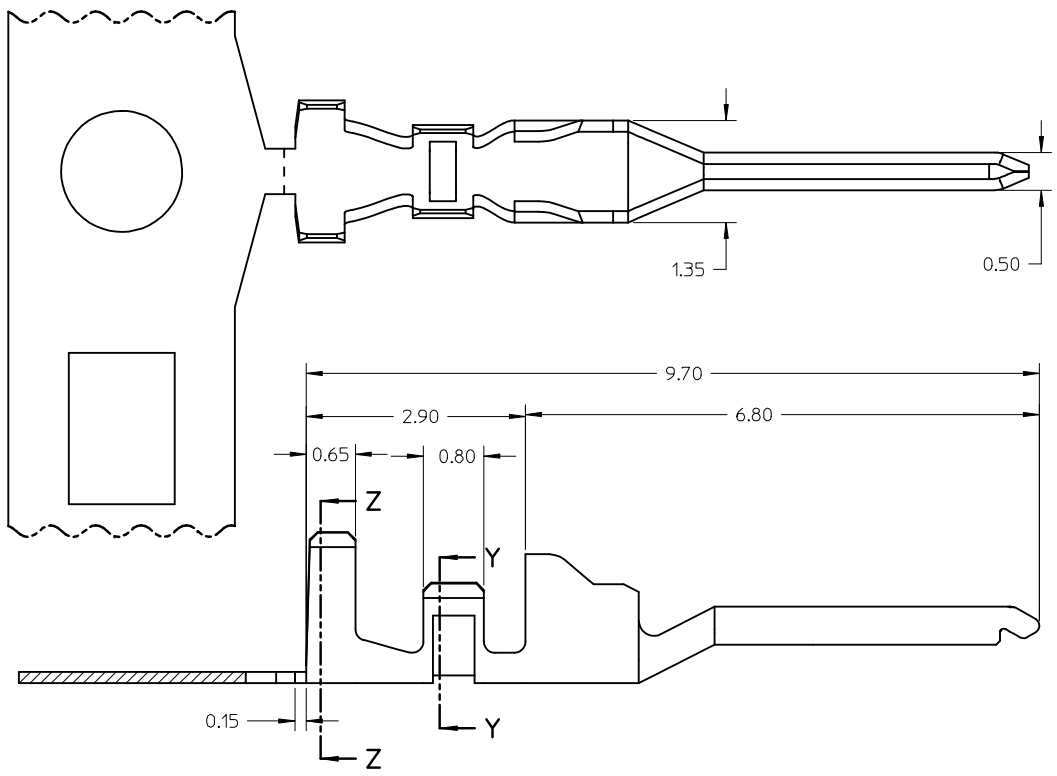


10 9 8 7 6 5 4 3 2 1

TERMINAL P/N (CHAIN)	PLATING	
	CONTACT	UNDERPLATING
151087-8999	UNPLATED	
151087-8101	2.504m MIN MATTE TIN OVERALL	1.254m MIN NI OVERALL
151087-8201	0.054m AU MIN	
151087-8301	0.384m AU MIN	
151087-8401	0.754m AU MIN	



- NOTES:
1. MATERIAL: COPPER ALLOY, THICKNESS: 0.15mm
 2. FINISHES: REFER TO TABLE
 3. PRODUCT SPECIFICATION: PS-151087-0001
 4. PACKAGING SPECIFICATION: PK-151087-0001
 5. APPLICABLE TO HOUSING: 151098-****
 6. TO BE USED WITH #24-30 AWG INSULATION STRANDED WIRE.

REMOVE LOOSE OPT	DESCRIPTION
EC NO: S2016-0449	2015/11/05
DRWN:FCS00	2016/02/16
CHKD:CGOH	
APPR:KHLIM	2016/02/16
A	REV

QUALITY SYMBOLS	$\nabla_A = 0$	GENERAL TOLERANCES (UNLESS SPECIFIED)	mm	INCH
	$\nabla_B = 0$		4 PLACES ± --- ± ---	3 PLACES ± --- ± ---
	$\nabla_C = 0$		2 PLACES ± 0.20 ± ---	1 PLACE ± --- ± ---
	$\nabla_D = 0$		0 PLACE ± --- ± ---	
			ANGULAR ± 3 °	
		DRAFT WHERE APPLICABLE MUST REMAIN WITHIN DIMENSIONS		

DIMENSION STYLE		SCALE	DESIGN UNITS	THIRD ANGLE PROJECTION
MM ONLY		NTS	METRIC	
DRAWN BY	DATE	TITLE		
FCS00	2015/01/08	SALES DRAWING		
CHECKED BY	DATE	MALE CRIMP TERMINAL		
FCS00	2015/01/08	SINGLE ROW MILLIGRID		
APPROVED BY	DATE	molex		
KHLIM	2016/02/16			
MATERIAL NO.	DOCUMENT NO.	SHEET NO.		
SEE TABLE	SD-151087-0001	1 OF 1		

THIS DRAWING CONTAINS INFORMATION THAT IS PROPRIETARY TO MOLEX INCORPORATED AND SHOULD NOT BE USED WITHOUT WRITTEN PERMISSION	
---	--

9 8 7 6 5 4 3 2 1