



Features

- Low current consumption - high sound pressure
- Compact, light design
- High reliability and no contact noise
- Easy-mounting
- Wide variety of tones can be made by cavity designing
- Functions over a wide range of Input voltage

Applications

- Confirmation Tone for Various Office Automation Equipment
- Automobiles, Microwave Ovens, Refrigerators
- Clocks, Toys, Game Machines

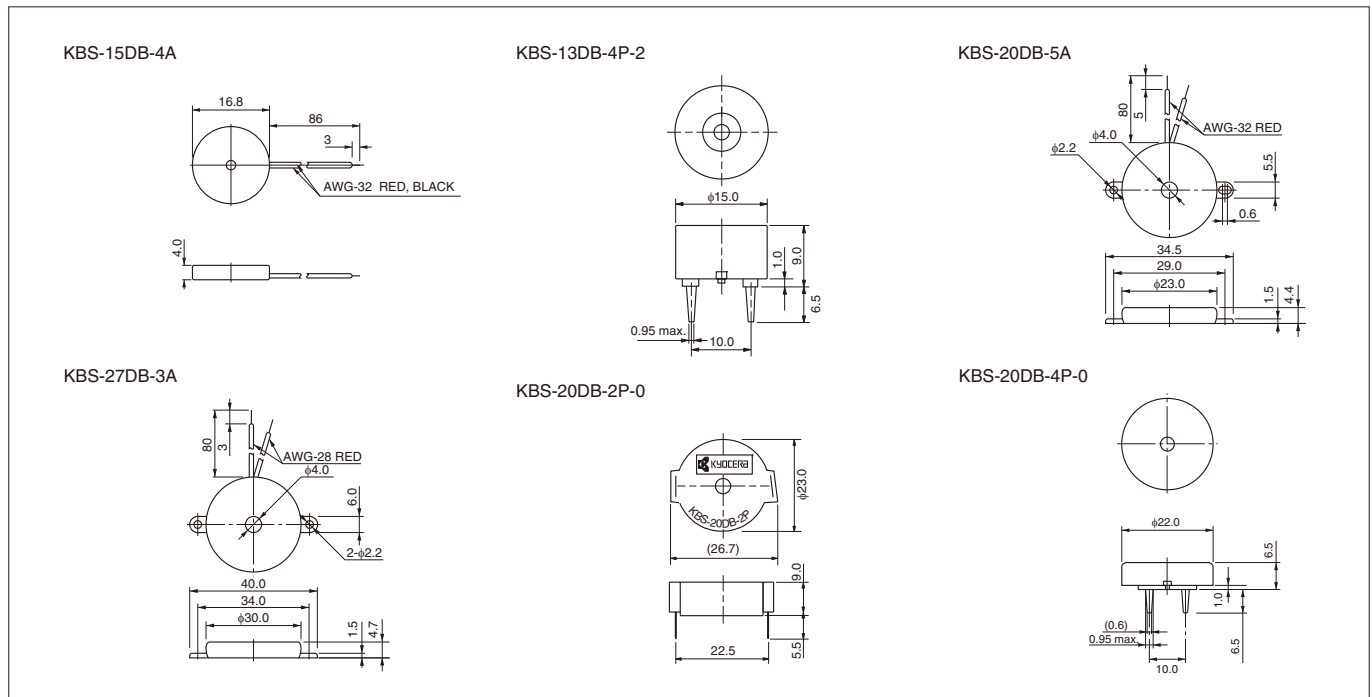
How to Order

KBS - 27 DB - 3 A
① ② ③ ④ ⑤

- ① Series
- ② Diameter (mm)
- ③ Appearance (Buzzer with Casing)
- ④ Resonant Frequency
- ⑤ Type of Terminals
(A: With Lead, P: Round Pin)

Dimensions

(Unit: mm)



Specifications

Part Number	Sound Pressure Level	Capacitance
KBS-13DB-4P-2	73dB min. 4.096kHz 10Vp-p SQ 30cm	10nF±30%
KBS-20DB-2P-0	75dB min. 2.048kHz 10Vp-p SQ 30cm	24nF±30%
KBS-20DB-4P-0	77dB min. 4.096kHz 10Vp-p SQ 30cm	14nF±30%
KBS-15DB-4A	72dB min. 4.096kHz 10Vp-p SQ 30cm	9.5nF±30%
KBS-20DB-5A	75dB min. 5.0 kHz 10Vp-p SQ 30cm	10nF±30%
KBS-27DB-3A	75dB min. 3.0 kHz 10Vp-p SQ 30cm	20nF±30%