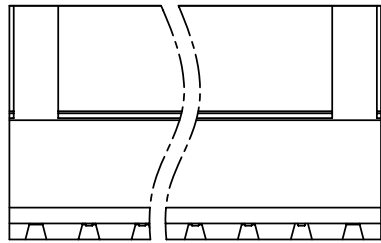
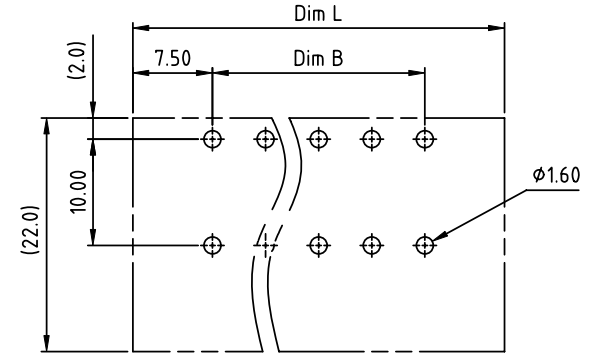


PRODUCT NUMBER	PITCH
VLxx72x100J0G	5.00 mm



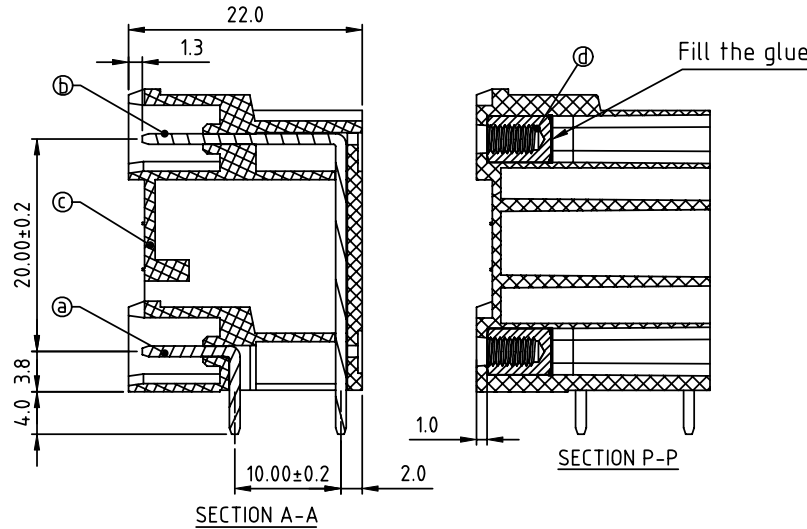
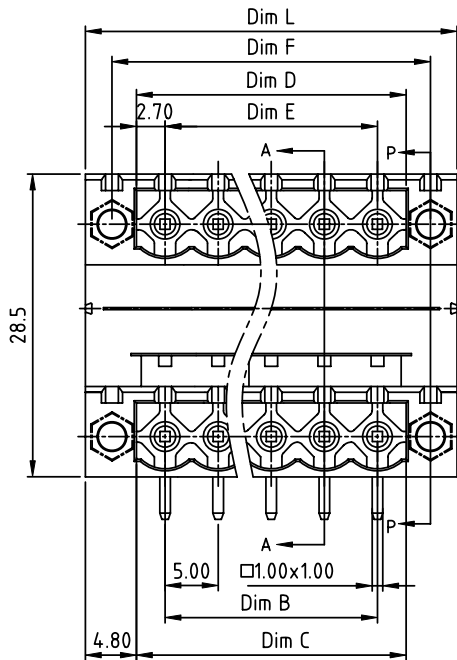
PART NO.: VL xx 7 2 x 1 00J0 G

Solid block	0	Black (RAL9005)	RoHS compliant (lead<4%) In copper Alloy
No. of poles	2	Red (RAL3001/D)	
04 2x2poles	3	Orange(RAL2011/P)	
06 2x3poles	4	Yellow(RAL1018/A)	
... ..	5	Green(RAL6018/T)	
48 2x24poles	6	Blue (RAL5015/A)	
	8	Grey(RAL7035/D)	
	9	White(RAL1102)	
	C	Green(RAL6018/U)	



RECOMMENDED P.C.B LAYOUT
TOP VIEW

- Material:
- Item ① Short pin: Copper Tin plated
 - Item ② Long pin: Copper Tin plated
 - Item ③ Terminal(housing): Thermoplastic (UL94V-0)
 - Item ④ With flange nut: Brass ,M2.5
- Electrical:
- Voltage rating: 300V
 - Current rating: 20A
 - Withstanding Voltage: 1.6 KV
 - Operating temperature: -40°C to +115°C
 - Soldering temperature: 260°C±5°C/5 Sec
 - Safety Approval:



N=Number of poles
 Dim L=(N/2+2)×5.0 Dim D=N/2×5.0+0.4
 Dim B=(N/2-1)×5.0 Dim E=(N/2-1)×5.0
 Dim C=N/2×5.0+0.4 Dim F=(N/2+1)×5.0

Poles	Dim L	Dim B	Dim C	Dim D	Dim E	Dim F
2x2-2x6p	±0.15	±0.15	+0.15 -0.00	+0.15 -0.00	±0.15	±0.15
2x7-2x12p	±0.25	±0.25	+0.25 -0.00	+0.25 -0.00	±0.25	±0.25
2x13-2x18p	±0.35	±0.35	+0.30 -0.00	+0.30 -0.00	±0.35	±0.35
2x19-2x24p	±0.40	±0.40	+0.40 -0.00	+0.40 -0.00	±0.40	±0.40

mat'l. code		surface ASME Y14.5	tolerance ASME Y14.5	projection	product family TERMINAL BLOCK
ltr	ecn no	dr	date	tolerances unless otherwise specified	title TERMINAL BLOCK
				angles X°±1'	PLUGGABLE SOCKET, WITH FLANGE, RIGHT ANGLE
				scale	dwg no VLxx72x100J0G
				dr EVIN ZHONG 042814	sheet 1 of 1 size A4
				enr EVIN ZHONG 042814	type CUSTOMER Drawing
				chr HANKE FENG 042814	
				appd SHI JUN 042814	
sheet index	revision	A			
	sheet	1			