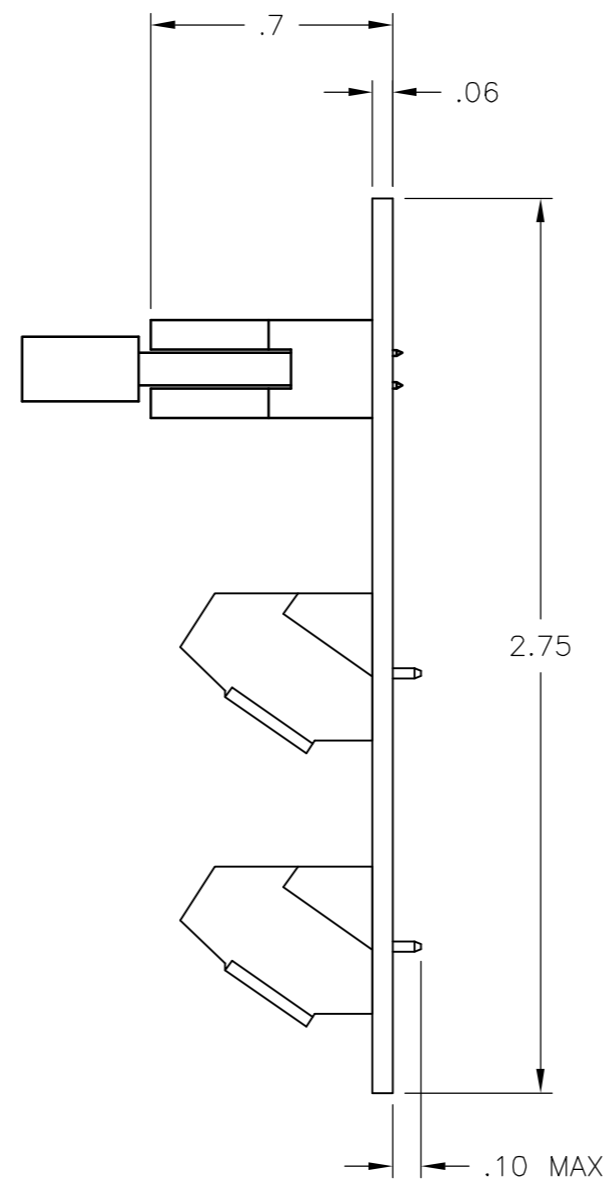
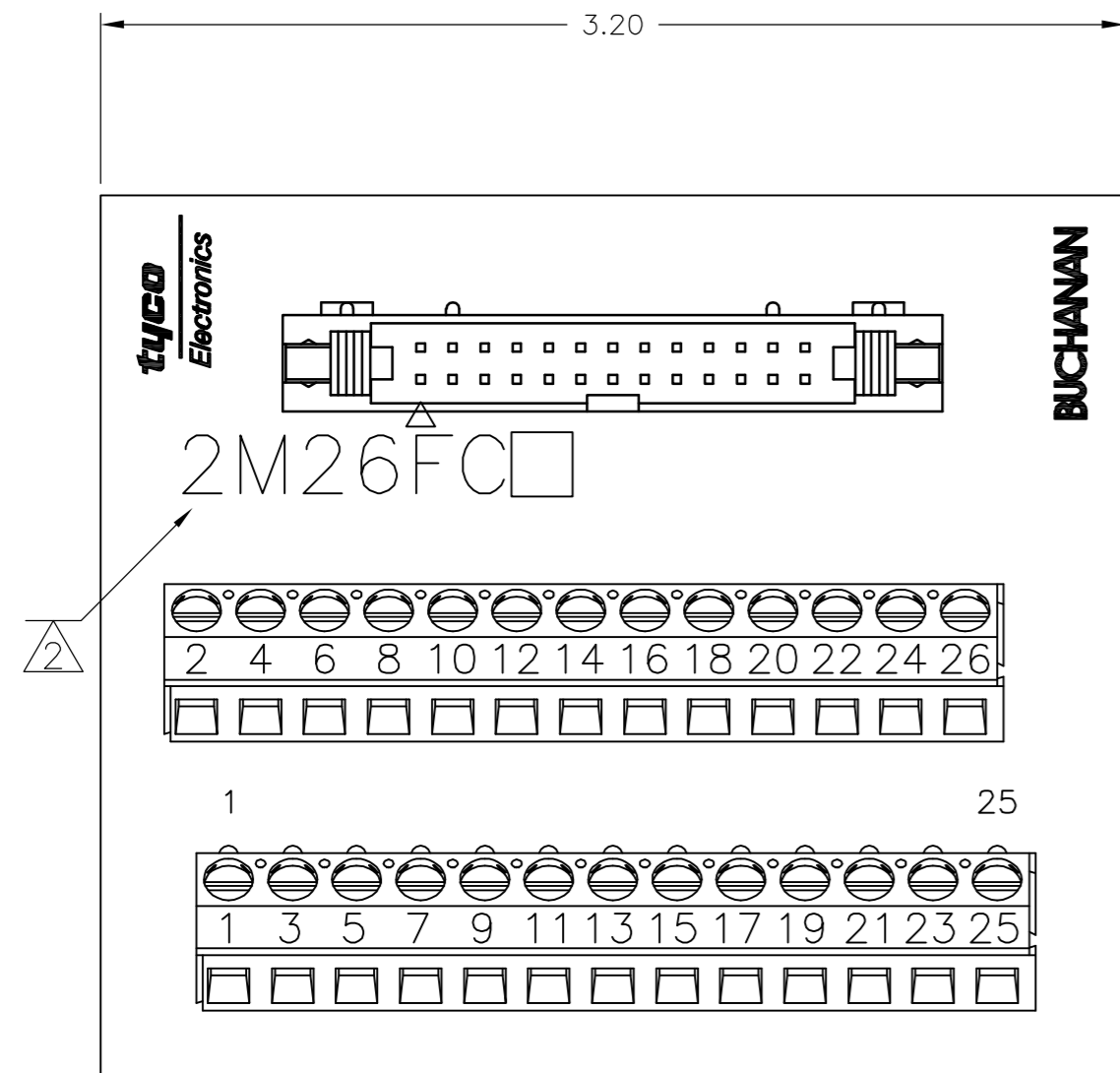


THIS DRAWING IS UNPUBLISHED. RELEASED FOR PUBLICATION
 © COPYRIGHT BY TYCO ELECTRONICS CORPORATION. ALL RIGHTS RESERVED.

LOC		DIST		REVISIONS			
P	LTR	DESCRIPTION	DATE	DWN	APVD		
	B	REVISED PER ECO-05-10413	9/30/05	SS	SRV		



HEADER:
 MATERIALS:
 HEADER: COPPER ALLOY, GOLD PLATE, 94V-0 THERMOPLASTIC.
 CONNECTOR: COPPER ALLOY, GOLD PLATE, 94V-0 THERMOPLASTIC.

ELECTRICAL:
 RATING: 1 AMPERE MAX. (CONNECTOR).

MECHANICAL:
 WIRE RANGE: 26-30 AWG SOLID, 28 AWG STRANDED.

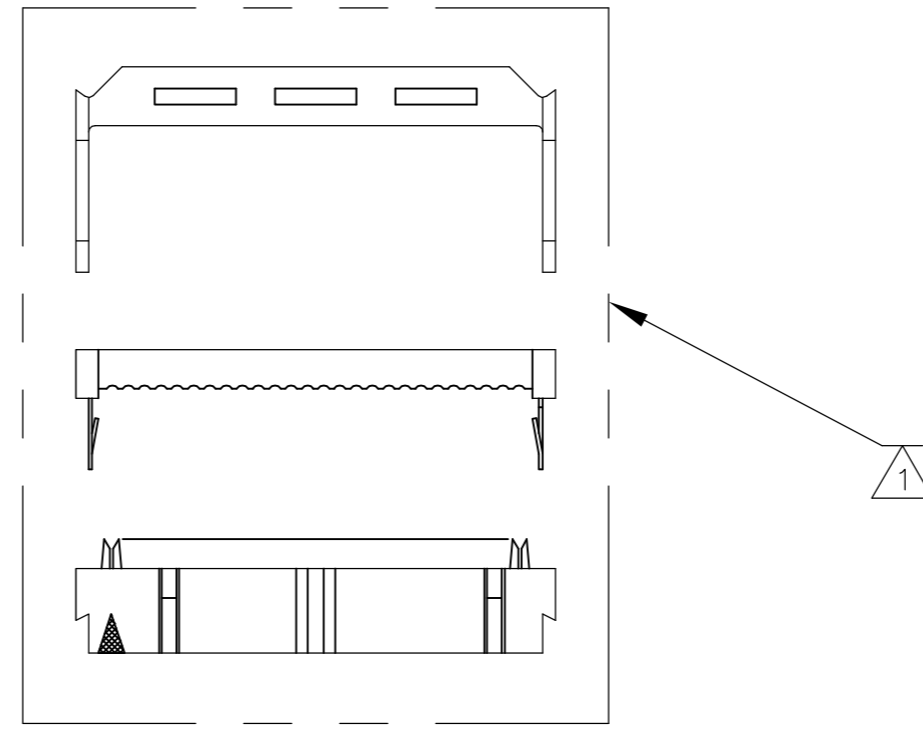
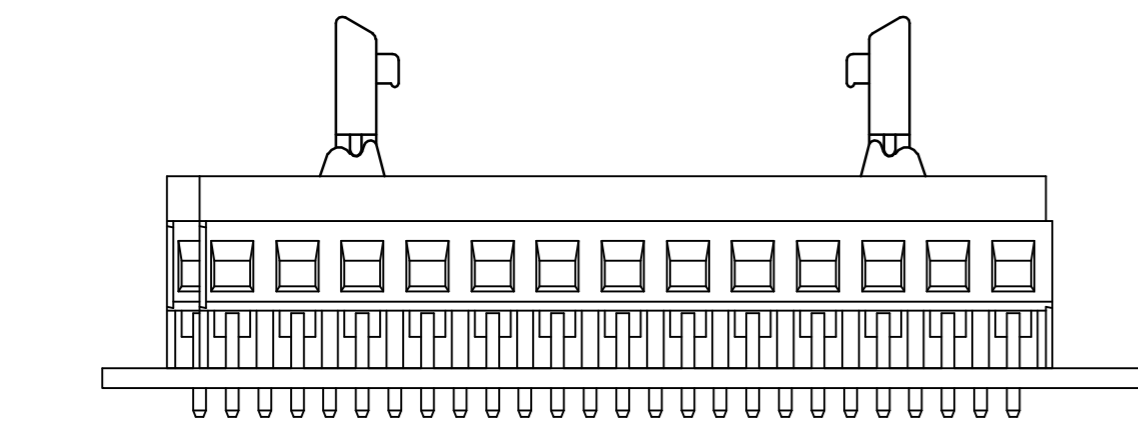
TERMINAL BLOCK:
 MATERIALS:
 HOUSING: THERMOPLASTIC NYLON, BLACK, 94V-0.
 TERMINALS: COPPER ALLOY, TIN PLATED.
 SCREWS: 3M, BRASS, NICKEL PLATED.

ELECTRICAL:
 RATING: 10A, 300V(UL).

MECHANICAL:
 WIRE RANGE: 14-22 AWG.

MOUNTING:
 MATERIALS:
 MOUNTING: 2TK2 AND 2TK2D SERIES SNAPTRACK (SOLD SEPARATELY).

- ① ALL CONNECTOR/STRAIN RELIEF COMPONENTS TO BE SHIPPER LOOSE AND UNASSEMBLED.
- ② CATALOG NUMBER MARKED HERE.
- ③ CONTAINS NO TIN-LEAD PLATING.



③	2M26FCL	1776630-1
	2M26FC	1-1437684-9
	CATALOG NUMBER	PART NUMBER
Tyco Electronics Corporation Harrisburg, PA 17105-3608		
NAME: 2M26FC ASSEMBLY		
SIZE	CAGE CODE	DRAWING NO
A2	00779	1-1437684-9
CUSTOMER DRAWING		RESTRICTED TO
SCALE NTS		REV B

THIS DRAWING IS A CONTROLLED DOCUMENT.		DWN	M.S. FEHER	01APR2004
DIMENSIONS: INCHES		CHK	S. YODER	01APR2004
TOLERANCES UNLESS OTHERWISE SPECIFIED:		APVD	S. YODER	01APR2004
0 PLC	± -	PRODUCT SPEC		
1 PLC	± .1	APPLICATION SPEC		
2 PLC	± .01	-		
3 PLC	± -	WEIGHT -		
4 PLC	± -	MATERIAL -		
ANGLES	± -	FINISH -		