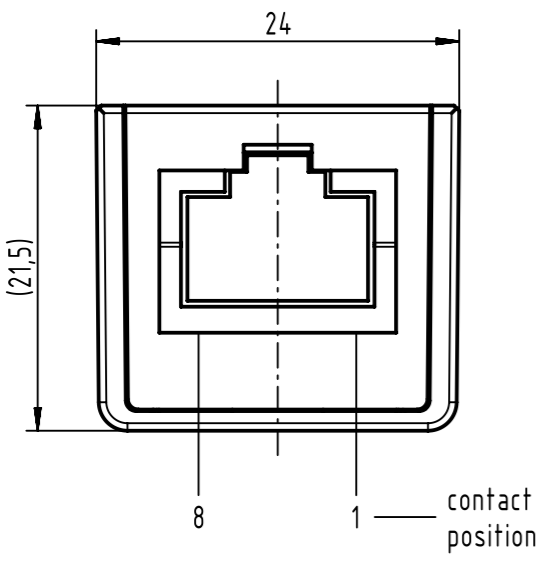
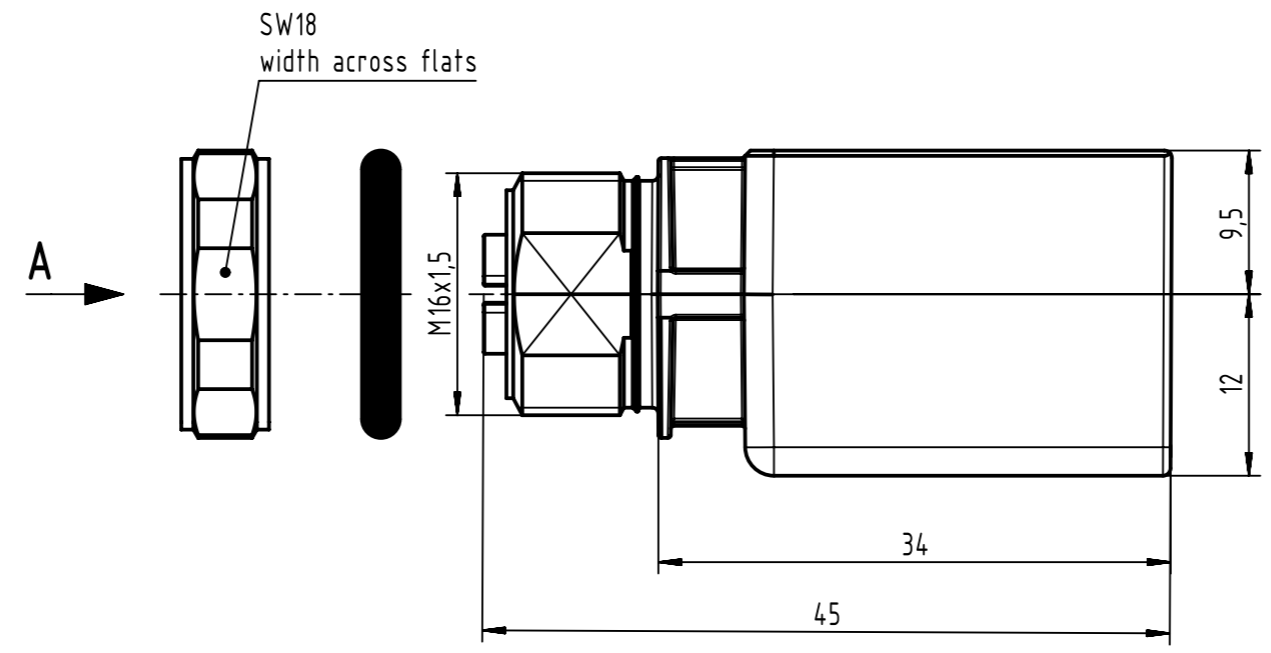
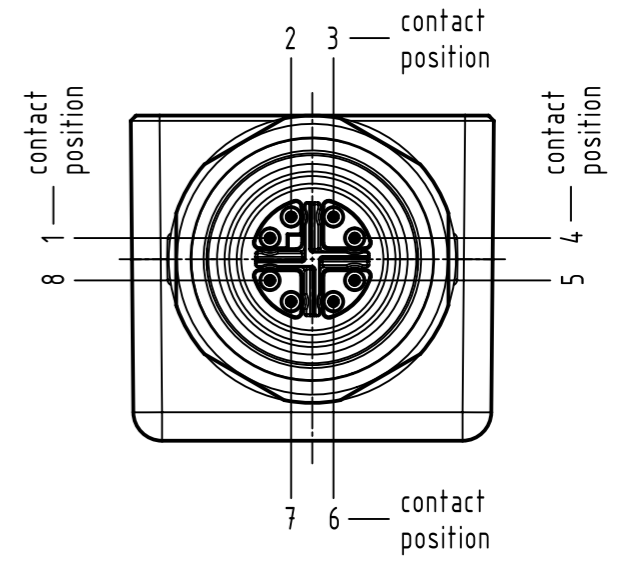


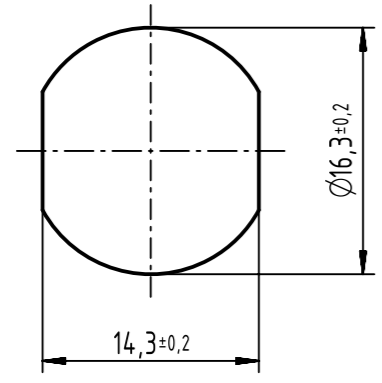
mating face acc. to IEC 60603-7



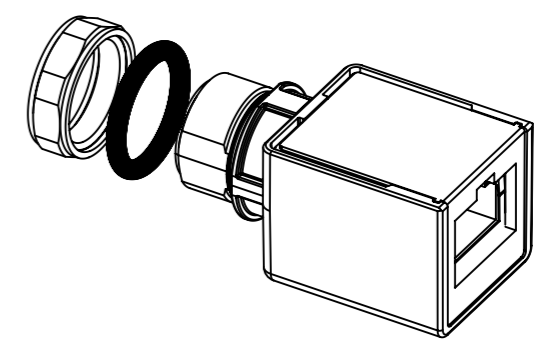
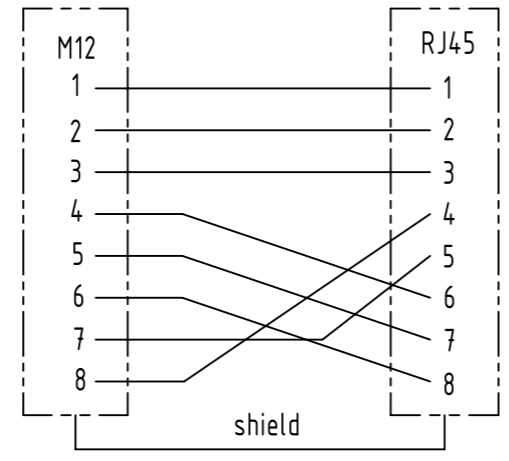
contact face acc. to IEC 61076-2-109



A panel cut-out



circuit diagram



	All rights reserved		Created by		Inspected by		Standardisation		Date		State		
	Department EC PD - DE		STORCK		WELLMANN		KOHLER		2015-08-05		Final Release		
HARTING Electronics GmbH		Title har-speed adapter M12-RJ45, straight										Doc-Key / ECM-Nr.	
D-32339 Espelkamp		Type TB		Number 21033812800				Rev. E		Page 1/1			

Ref. Sub. 21033812800 500000092825 2014.09.26