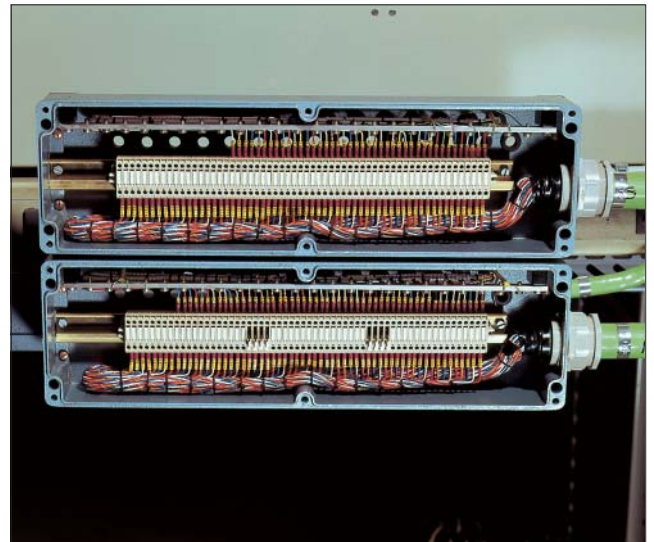
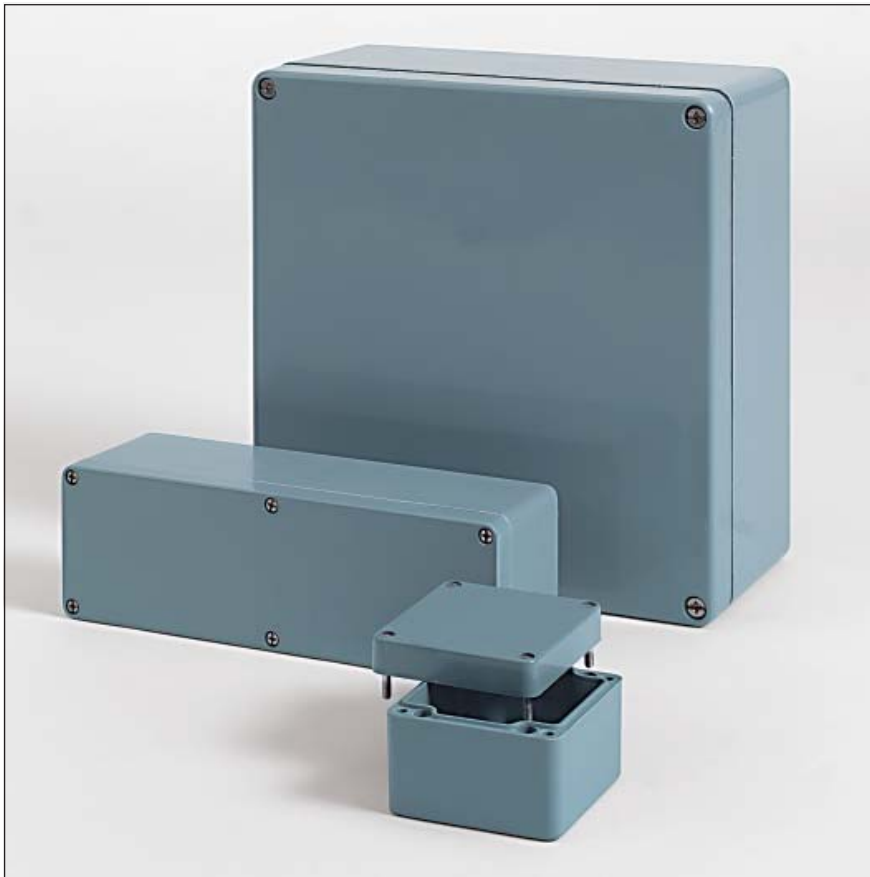


Polyester Standard

Applications





Technical data

Material:

glass fibre reinforced duroplastic polyester

Colour:

RAL 7000, squirrel grey

special colour on request

Ingress protection:

IP 66 to EN 60529

Impact resistance:

7 Joule to EN 60079-0

Surface resistance:

$>10^{12}$ Ohm to IEC 60093

Flammability:

V0 / self-extinguishing, UL 94

Insulation:

fully insulated to VDE 0100

Disruptive strength:

18 KV/mm, IEC 60243-1

Toxicity:

halogen-free

Temperature range:

PU (polyurethane) seal (std.): -40°C to +90°C

CR (chloroprene) seal: -40°C to +100°C

VMQ (silicone) seal (optional): -60°C to +130°C

- Robust plastic enclosure for MCR and automation engineering
- Fixing options for DIN rails and mounting plates
- Universal configuration

Included in delivery

Plastic enclosure in glass fibre reinforced polyester, consisting of lid, seal, incl. captive +/- stainless steel screws, base with 2 or 4 earthing screws

Polyester Standard

Programme range

Order No.	W x L x H (mm)	Order No.	W x L x H (mm)
02.06 06 03	55 x 55 x 37	02.12 22 09	120 x 220 x 91
02.06 06 06	55 x 55 x 59	02.16 16 09	160 x 160 x 91
02.08 08 06	75 x 80 x 56	02.16 26 09	160 x 260 x 91
02.08 08 08	75 x 80 x 75	02.16 36 09	160 x 360 x 91
02.08 11 06	75 x 110 x 56	02.16 56 09	160 x 560 x 91
02.08 11 08	75 x 110 x 75	02.25 26 12	250 x 255 x 121
02.08 16 06	75 x 160 x 56	02.25 26 16	250 x 255 x 161
02.08 16 08	75 x 160 x 75	02.25 40 12	250 x 400 x 121
02.08 19 06	75 x 190 x 56	02.25 40 16	250 x 400 x 161
02.08 19 08	75 x 190 x 75	02.25 60 12	250 x 600 x 121
02.08 23 06	75 x 230 x 56	02.36 36 09	360 x 360 x 91
02.08 23 08	75 x 230 x 75	02.41 40 12	405 x 400 x 121
02.10 32 08	100 x 320 x 81	02.41 40 20	405 x 400 x 201
02.12 12 09	120 x 122 x 91		

Accessories and versions

Order No.	DIN rail* for terminals		Mounting plate thickness in mm	External mounting brackets set	Aluminium external hinge approx. 125° set	Allen lid screws	Silicone lid seal	Sealable lid screws	EMC version
	TS 15	TS 35							
02.06 06 03	•			²)	³)	²)		²)	
02.06 06 06	•								
02.08 08 06	•		2.0 ⁴)	•		•	•	•	•
02.08 08 08	•		2.0 ⁴)	•		•	•	•	•
02.08 11 06	•		2.0 ⁴)	•		•	•	•	•
02.08 11 08	•		2.0 ⁴)	•		•	•	•	•
02.08 16 06	•		2.0 ⁴)	•		•	•	•	•
02.08 16 08	•		2.0 ⁴)	•		•	•	•	•
02.08 19 06	•		2.0 ⁴)	•		•	•	•	•
02.08 19 08	•		2.0 ⁴)	•		•	•	•	•
02.08 23 06	•			•		•	•	•	•
02.08 23 08	•			•		•	•	•	•
02.10 32 08	•		1.5 ¹)	•	•	•	•	•	•
02.12 12 09		•	1.5 ¹)	•	•	•	•	•	•
02.12 22 09		•	1.5 ¹)	•	•	•	•	•	•
02.16 16 09		•	1.5 ¹)	•	•	•	•	•	•
02.16 26 09		•	1.5 ¹)	•	•	•	•	•	•
02.16 36 09		•	1.5 ¹)	•	•	•	•	•	•
02.16 56 09		•	2.0 ¹)	•	•	•	•	•	•
02.25 26 12		•	2.0 ¹)	•	•	•	•	•	•
02.25 26 16		•	2.0 ¹)	•	•	•	•	•	•
02.25 40 12		•	2.0 ¹)	•	•	•	•	•	•
02.25 40 16		•	2.0 ¹)	•	•	•	•	•	•
02.25 60 12		•	2.0 ¹)	•	•	•	•	•	•
02.36 36 09		•	2.0 ¹)	•	•	•	•	•	•
02.41 40 12		•	2.0 ¹)	•	•	•	•	•	•
02.41 40 20		•	2.0 ¹)	•	•	•	•	•	•

¹) Galvanized sheet steel ²) Stainless steel ³) Please quote installation side A-D when ordering ⁴) Laminated paper

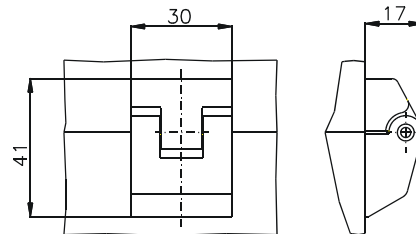
* TS 32 on request

Accessories



External hinge
 Material cast aluminium
 Opening angle 150°
 (set = 2 pcs.)

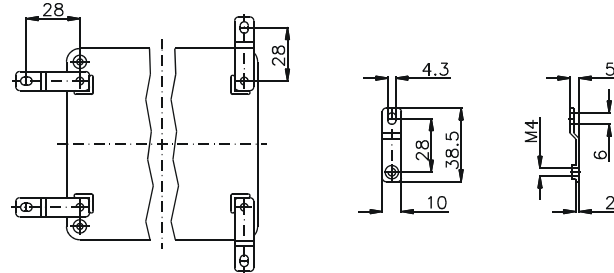
Order No. **10.02 70 01**



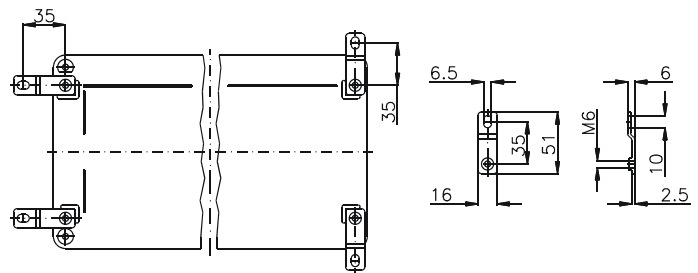
External mounting brackets (Set = 4 pcs.)

Order No.	for enclosure
10.03 11 01	02.08 08 06 - 02.08 23 08
10.03 11 02	02.10 32 08 - 02.41 40 20

Type 10.03 11 01



Type 10.03 11 02



Type: **02.06 06 03**

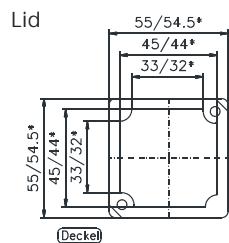
External dimensions: **55 x 55 x 37 mm**

Weight: **118 g**

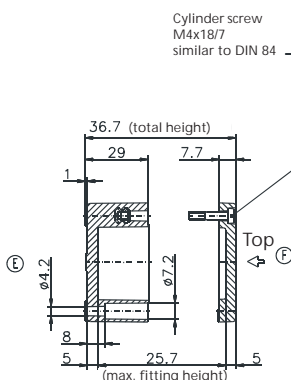
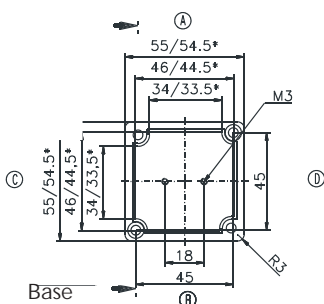
DIN rail length in mm	max. fitting length in mm	Mounting plate (thickness in mm)	External mounting brackets	External hinge* set	EMC version	Allen lid screws	Silicone lid seal	Sealable lid screws

Maximum number of cable glands to **DIN 50262***

M	Corner dim.	Side		PG	Corner dim.	Side	
		A/B	C/D			A/B	C/D
12	17.25	2	2	7	17.25	2	2
16	25.30	1	1	9	21.85	1	1
20	27.60			11	25.30		
25	37.95			13.5	27.60		
32	48.30			16	31.05		
40	60.95			21	37.95		
50	69.00			29	48.30		
63	74.75			36	60.95		
				42	69.00		
				48	74.75		



* = Conical form tapering downwards
Free dimensions-tolerance to DIN 16901 - 130



Type: **02.06 06 06**

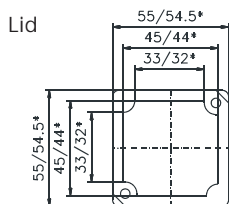
External dimensions: **55 x 55 x 59 mm**

Weight: **152 g**

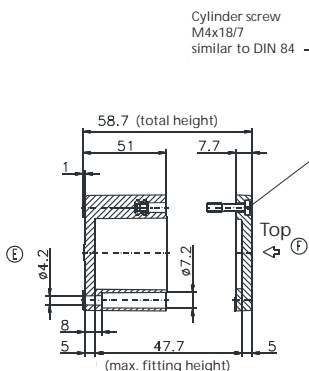
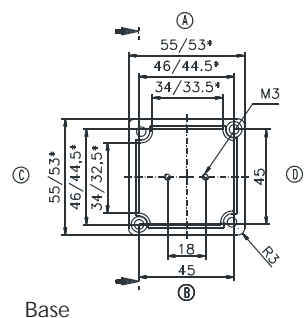
DIN rail length in mm	max. fitting length in mm	Mounting plate (thickness in mm)	External mounting brackets	External hinge* set	EMC version	Allen lid screws	Silicone lid seal	Sealable lid screws

Maximum number of cable glands to **DIN 50262***

M	Corner dim.	Side		PG	Corner dim.	Side	
		A/B	C/D			A/B	C/D
12	17.25	5	5	7	17.25	5	5
16	25.30	2	2	9	21.85	3	3
20	27.60	1	1	11	25.30	2	2
25	37.95	1	1	13.5	27.60	1	1
32	48.30	1	1	16	31.05	1	1
40	60.95			21	37.95	1	1
50	69.00			29	48.30		
63	74.75			36	60.95		
				42	69.00		
				48	74.75		



* = Conical form tapering downwards
Free dimensions-tolerance to DIN 16901 - 130



* Please quote mounting side

Type: **02.08 08 06**

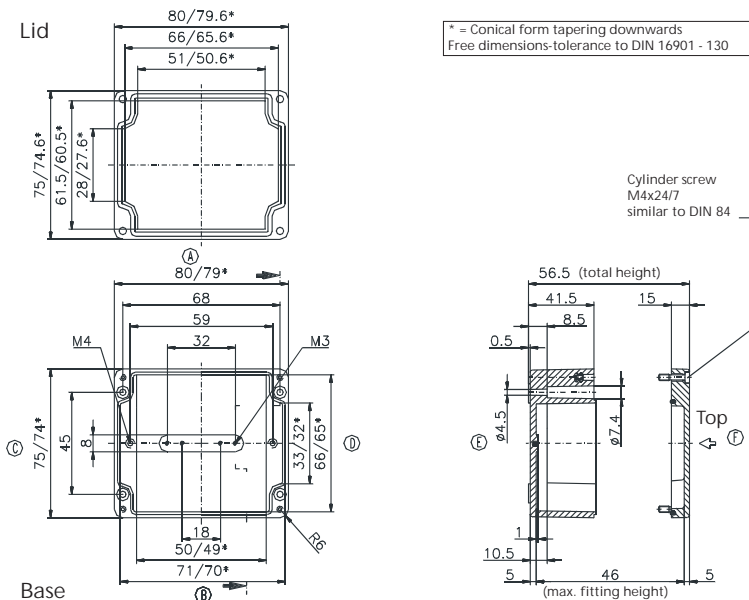
External dimensions: **75 x 80 x 56 mm**

Weight: **280 g**

DIN rail length in mm	max. fitting length in mm	Mounting plate (thickness in mm)	External mounting brackets	External hinge* set	EMC version	Allen lid screws	Silicone lid seal	Sealable lid screws
TS 15								
63	49	2	•		•	•	•	•

Maximum number of cable glands to *DIN 50262**

M	Corner dim.	Side		PG	Corner dim.	Side	
		A/B	C/D			A/B	C/D
12	17,25	6	3	7	17,25	6	3
16	25,30	2	1	9	21,85	4	1
20	27,60	2	1	11	25,30	2	1
25	37,95	1		13,5	27,60	2	1
32	48,30			16	31,05	2	1
40	60,95			21	37,95	1	
50	69,00			29	48,30		
63	74,75			36	60,95		
				42	69,00		
				48	74,75		



Type: **02.08 08 08**

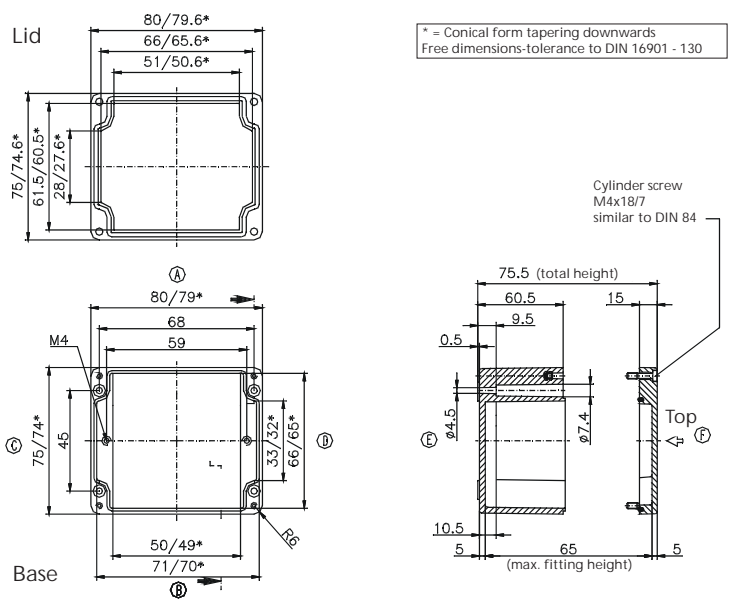
External dimensions: **75 x 80 x 75 mm**

Weight: **340 g**

DIN rail length in mm	max. fitting length in mm	Mounting plate (thickness in mm)	External mounting brackets	External hinge* set	EMC version	Allen lid screws	Silicone lid seal	Sealable lid screws
TS 15								
63	49	2	•		•	•	•	•

Maximum number of cable glands to *DIN 50262**

M	Corner dim.	Side		PG	Corner dim.	Side	
		A/B	C/D			A/B	C/D
12	17,25	9	5	7	17,25	9	5
16	25,30	5	2	9	21,85	6	3
20	27,60	4	2	11	25,30	4	2
25	37,95	1	1	13,5	27,60	4	2
32	48,30	1	1	16	31,05	3	1
40	60,95			21	37,95	1	1
50	69,00			29	48,30	1	
63	74,75			36	60,95		
				42	69,00		
				48	74,75		



* Please quote mounting side

Type: **02.08 11 06**

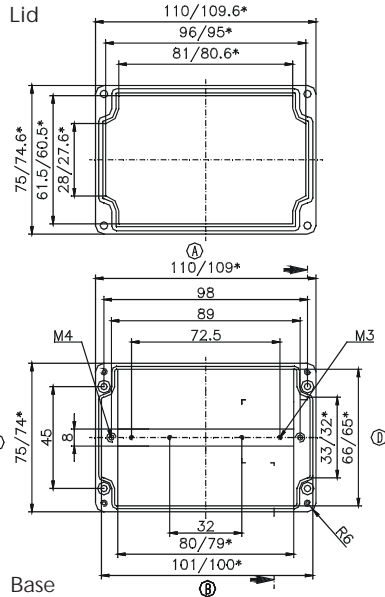
External dimensions: **75 x 110 x 56 mm**

Weight: **350 g**

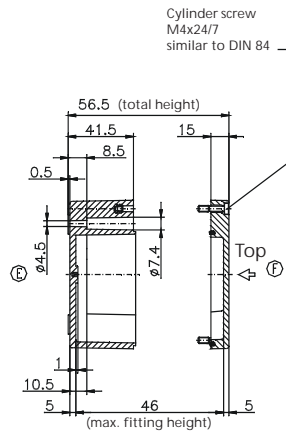
DIN rail length in mm	max. fitting length in mm	Mounting plate (thickness in mm)	External mounting brackets	External hinge* set	EMC version	Allen lid screws	Silicone lid seal	Sealable lid screws
TS 15								
98	79	2	•		•	•	•	•

Maximum number of cable glands to **DIN 50262***

M	Corner dim.	Side		PG	Corner dim.	Side	
		A/B	C/D			A/B	C/D
12	17.25	10	3	7	17.25	10	3
16	25.30	4	1	9	21.85	6	1
20	27.60	3	1	11	25.30	4	1
25	37.95	2		13.5	27.60	3	1
32	48.30			16	31.05	3	1
40	60.95			21	37.95	2	
50	69.00			29	48.30		
63	74.75			36	60.95		
				42	69.00		
				48	74.75		



* = Conical form tapering downwards
Free dimensions-tolerance to DIN 16901 - 130



Type: **02.08 11 08**

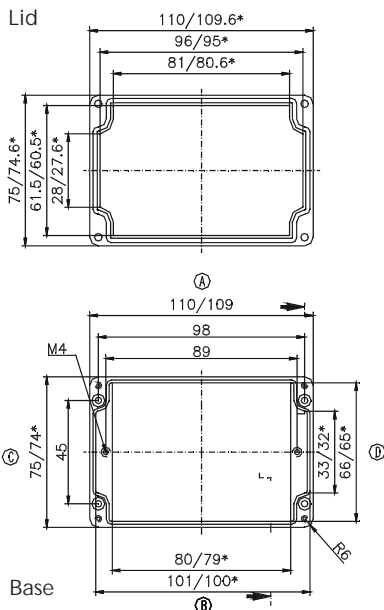
External dimensions: **75 x 110 x 75 mm**

Weight: **440 g**

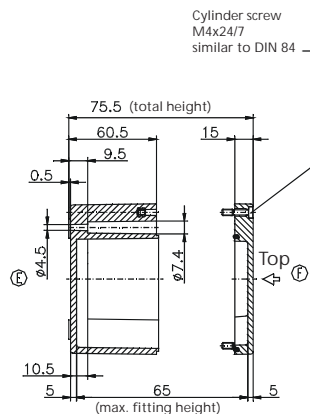
DIN rail length in mm	max. fitting length in mm	Mounting plate (thickness in mm)	External mounting brackets	External hinge* set	EMC version	Allen lid screws	Silicone lid seal	Sealable lid screws
TS 15								
98	79	2	•		•	•	•	•

Maximum number of cable glands to **DIN 50262***

M	Corner dim.	Side		PG	Corner dim.	Side	
		A/B	C/D			A/B	C/D
12	17.25	15	5	7	17.25	15	5
16	25.30	6	2	9	21.85	9	3
20	27.60	6	1	11	25.30	6	2
25	37.95	2	1	13.5	27.60	6	1
32	48.30	2	1	16	31.05	5	1
40	60.95			21	37.95	2	1
50	69.00			29	48.30	2	
63	74.75			36	60.95		
				42	69.00		
				48	74.75		



* = Conical form tapering downwards
Free dimensions-tolerance to DIN 16901 - 130



* Please quote mounting side

Type: **02.08 16 06**

External dimensions: **75 x 160 x 56 mm**

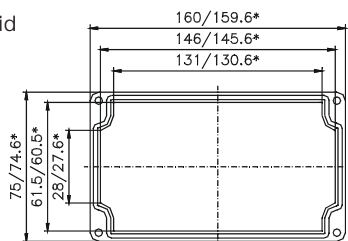
Weight: **460 g**

DIN rail length in mm	max. fitting length in mm	Mounting plate (thickness in mm)	External mounting brackets	External hinge* set	EMC version	Allen lid screws	Silicone lid seal	Sealable lid screws
TS 15								
148	129	2	•		•	•	•	•

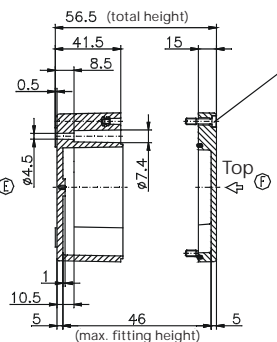
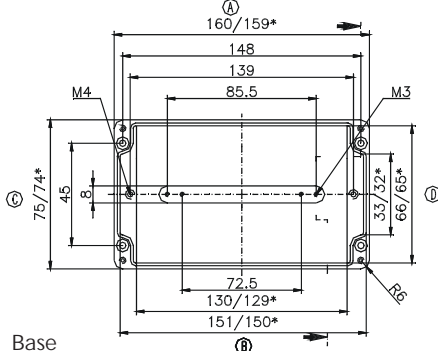
Maximum number of cable glands to *DIN 50262**

M	Corner dim.	Side		PG	Corner dim.	Side	
		A/B	C/D			A/B	C/D
12	17.25	16	3	7	17.25	16	2
16	25.30	6	1	9	21.85	9	1
20	27.60	5	1	11	25.30	6	1
25	37.95	3		13.5	27.60	5	1
32	48.30			16	31.05	4	1
40	60.95			21	37.95	3	
50	69.00			29	48.30		
63	74.75			36	60.95		
				42	69.00		
				48	74.75		

Lid



* = Conical form tapering downwards
Free dimensions-tolerance to DIN 16901 - 130



Base

Type: **02.08 16 08**

External dimensions: **75 x 160 x 75 mm**

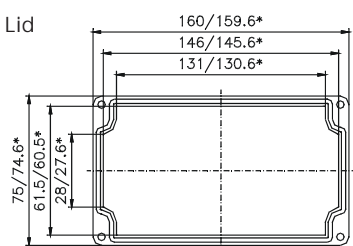
Weight: **540 g**

DIN rail length in mm	max. fitting length in mm	Mounting plate (thickness in mm)	External mounting brackets	External hinge* set	EMC version	Allen lid screws	Silicone lid seal	Sealable lid screws
TS 15								
148	129	2	•		•	•	•	•

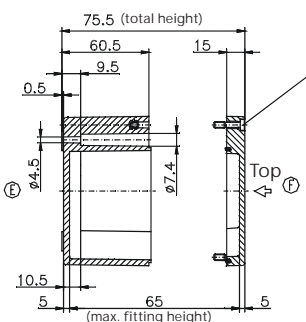
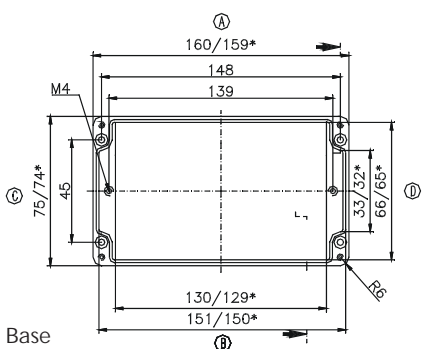
Maximum number of cable glands to *DIN 50262**

M	Corner dim.	Side		PG	Corner dim.	Side	
		A/B	C/D			A/B	C/D
12	17.25	18	5	7	17.25	18	5
16	25.30	8	2	9	21.85	11	3
20	27.60	8	2	11	25.30	8	2
25	37.95	3	1	13.5	27.60	8	2
32	48.30	2	1	16	31.05	5	1
40	60.95			21	37.95	3	1
50	69.00			29	48.30	2	
63	74.75			36	60.95		
				42	69.00		
				48	74.75		

Lid



* = Conical form tapering downwards
Free dimensions-tolerance to DIN 16901 - 130



Base

* Please quote mounting side

Type: **02.08 19 06**

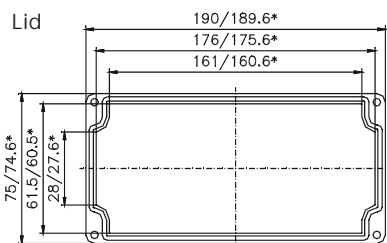
External dimensions: **75 x 190 x 56 mm**

Weight: **520 g**

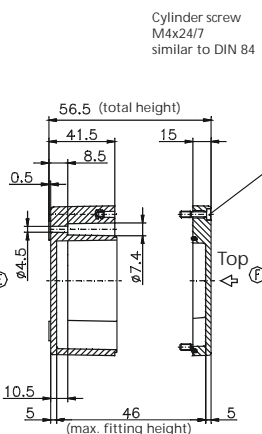
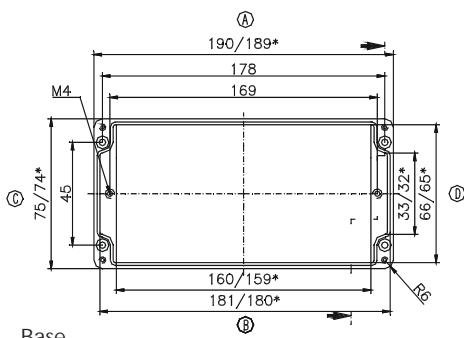
DIN rail length in mm	max. fitting length in mm	Mounting plate (thickness in mm)	External mounting brackets	External hinge* set	EMC version	Allen lid screws	Silicone lid seal	Sealable lid screws
TS 15								
174	159	2	•		•	•	•	•

Maximum number of cable glands to **DIN 50262***

M	Corner dim.	Side		PG	Corner dim.	Side	
		A/B	C/D			A/B	C/D
12	17.25	20	4	7	17.25	20	4
16	25.30	8	1	9	21.85	15	2
20	27.60	7	1	11	25.30	8	1
25	37.95	4	1	13.5	27.60	7	1
32	48.30			16	31.05	6	1
40	60.95			21	37.95	4	
50	69.00			29	48.30		
63	74.75			36	60.95		
				42	69.00		
				48	74.75		



* = Conical form tapering downwards
Free dimensions-tolerance to DIN 16901 - 130



Cylinder screw M4x24/7 similar to DIN 84

Type: **02.08 19 08**

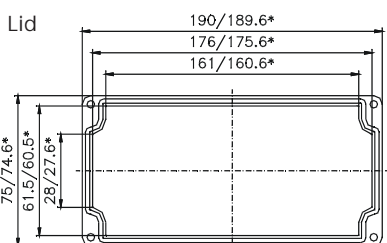
External dimensions: **75 x 190 x 75 mm**

Weight: **620 g**

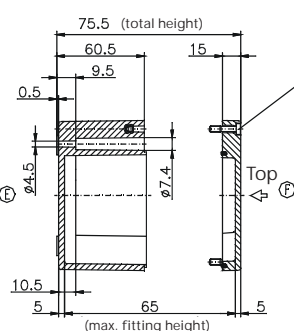
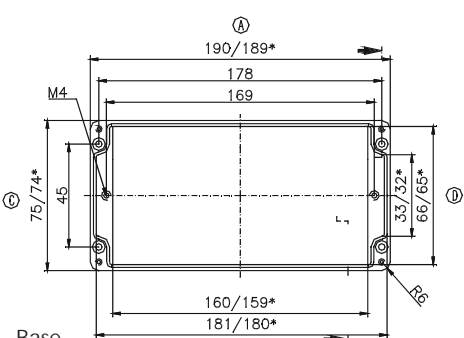
DIN rail length in mm	max. fitting length in mm	Mounting plate (thickness in mm)	External mounting brackets	External hinge* set	EMC version	Allen lid screws	Silicone lid seal	Sealable lid screws
TS 15								
174	159	2	•		•	•	•	•

Maximum number of cable glands to **DIN 50262***

M	Corner dim.	Side		PG	Corner dim.	Side	
		A/B	C/D			A/B	C/D
12	17.25	28	6	7	17.25	27	5
16	25.30	12	2	9	21.85	18	3
20	27.60	12	2	11	25.30	12	2
25	37.95	5	1	13.5	27.60	12	2
32	48.30	3	1	16	31.05	10	1
40	60.95			21	37.95	5	1
50	69.00			29	48.30	3	
63	74.75			36	60.95		
				42	69.00		
				48	74.75		



* = Conical form tapering downwards
Free dimensions-tolerance to DIN 16901 - 130



Cylinder screw M4x24/7 similar to DIN 84

* Please quote mounting side

Type: **02.08 23 06**

External dimensions: **75 x 230 x 56 mm**

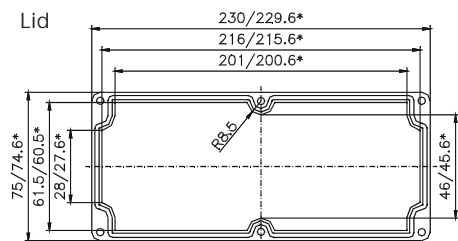
Weight: **730 g**

DIN rail length in mm	max. fitting length in mm	Mounting plate (thickness in mm)	External mounting brackets	External hinge* set	EMC version	Allen lid screws	Silicone lid seal	Sealable lid screws
TS 15								
218	199		•		•	•	•	•

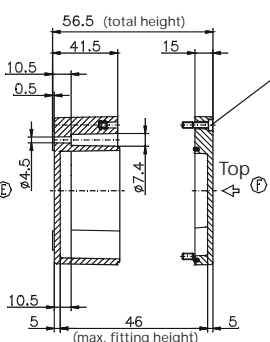
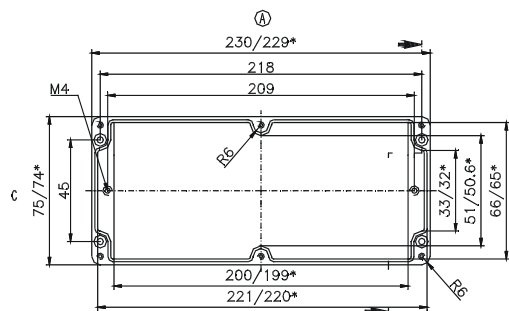
Maximum number of cable glands to *DIN 50262**

M	Corner dim.	Side		PG	Corner dim.	Side	
		A/B	C/D			A/B	C/D
12	17,25	22	3	7	17,25	20	3
16	25,30	10	1	9	21,85	14	1
20	27,60	8	1	11	25,30	8	1
25	37,95	4	1	13,5	27,60	8	1
32	48,30			16	31,05	6	1
40	60,95			21	37,95	4	1
50	69,00			29	48,30		
63	74,75			36	60,95		
				42	69,00		
				48	74,75		

Lid



* = Conical form tapering downwards
Free dimensions-tolerance to DIN 16901 - 130



Cylinder screw
M4x24/7
similar to DIN 84

Base

Type: **02.08 23 08**

External dimensions: **75 x 230 x 75 mm**

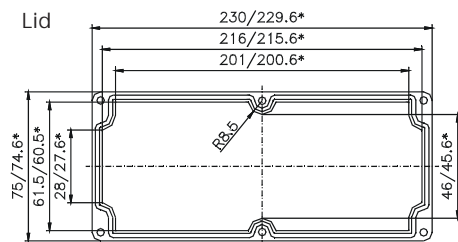
Weight: **900 g**

DIN rail length in mm	max. fitting length in mm	Mounting plate (thickness in mm)	External mounting brackets	External hinge* set	EMC version	Allen lid screws	Silicone lid seal	Sealable lid screws
TS 15								
218	199		•		•	•	•	•

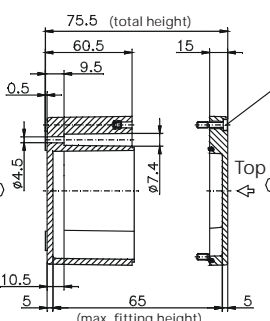
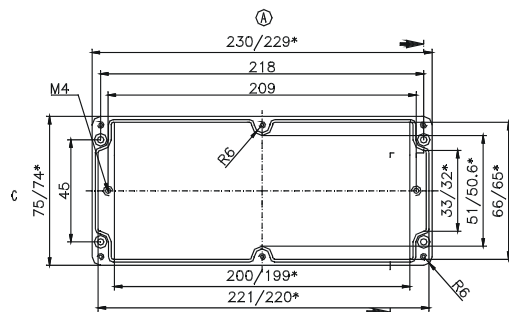
Maximum number of cable glands to *DIN 50262**

M	Corner dim.	Side		PG	Corner dim.	Side	
		A/B	C/D			A/B	C/D
12	17,25	30	6	7	17,25	30	6
16	25,30	16	2	9	21,85	18	3
20	27,60	12	2	11	25,30	16	2
25	37,95	6	1	13,5	27,60	12	2
32	48,30	4	1	16	31,05	10	1
40	60,95			21	37,95	6	1
50	69,00			29	48,30	4	
63	74,75			36	60,95		
				42	69,00		
				48	74,75		

Lid



* = Conical form tapering downwards
Free dimensions-tolerance to DIN 16901 - 130



Cylinder screw
M4x24/7
similar to DIN 84

Base

* Please quote mounting side

Type: **02.10 32 08**

External dimensions: **100 x 320 x 81 mm**

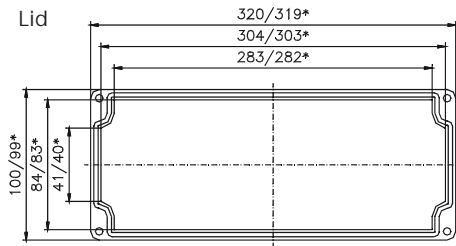
Weight: **1210 g**

DIN rail length in mm	max. fitting length in mm	Mounting plate (thickness in mm)	External mounting brackets	External hinge* set	EMC version	Allen lid screws	Silicone lid seal	Sealable lid screws
TS 15								
304	285	1.5	•	•	•	•	•	•

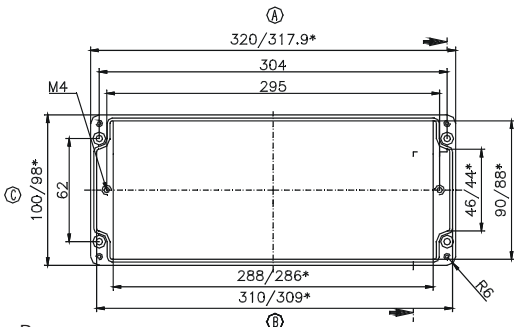
Maximum number of cable glands to **DIN 50262***

M	Corner dim.	Side		PG	Corner dim.	Side	
		A/B	C/D			A/B	C/D
12	17.25	48	6	7	17.25	48	6
16	25.30	23	4	9	21.85	33	4
20	27.60	20	2	11	25.30	22	4
25	37.95	9	1	13.5	27.60	20	2
32	48.30	6	1	16	31.05	17	1
40	60.95			21	37.95	9	1
50	69.00			29	48.30	6	1
63	74.75			36	60.95		
				42	69.00		
				48	74.75		

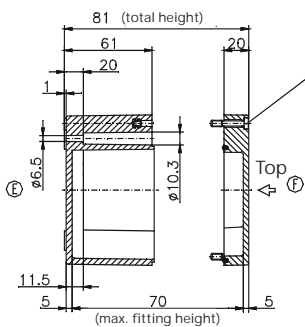
Lid



* = Conical form tapering downwards
Free dimensions-tolerance to DIN 16901 - 130



Base



Cylinder screw
M4x24/7
similar to DIN 84

Type: **02.12 12 09**

External dimensions: **120 x 122 x 91 mm**

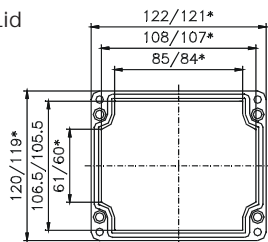
Weight: **800 g**

DIN rail length in mm	max. fitting length in mm	Mounting plate (thickness in mm)	External mounting brackets	External hinge* set	EMC version	Allen lid screws	Silicone lid seal	Sealable lid screws
TS 35								
107	85	1.5	•	•	•	•	•	•

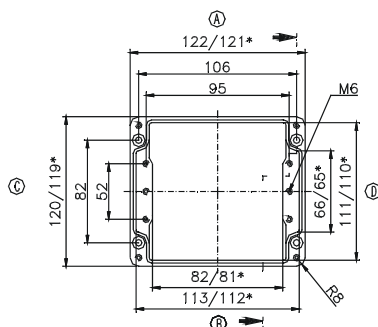
Maximum number of cable glands to **DIN 50262***

M	Corner dim.	Side		PG	Corner dim.	Side	
		A/B	C/D			A/B	C/D
12	17.25	18	12	7	17.25	18	12
16	25.30	8	5	9	21.85	12	6
20	27.60	6	4	11	25.30	8	5
25	37.95	3	2	13.5	27.60	6	4
32	48.30	2	1	16	31.05	6	3
40	60.95	1	1	21	37.95	3	2
50	69.00			29	48.30	2	1
63	74.75			36	60.95	1	1
				42	69.00		
				48	74.75		

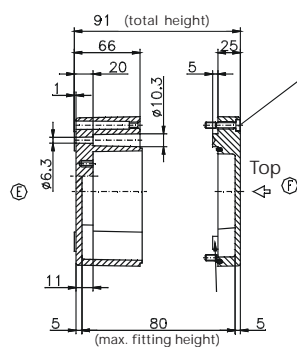
Lid



* = Conical form tapering downwards
Free dimensions-tolerance to DIN 16901 - 130



Base



Cylinder screw
M6x35/10
similar to DIN 84

* Please quote mounting side

Type: **02.12 22 09**

External dimensions: **120 x 220 x 91 mm**

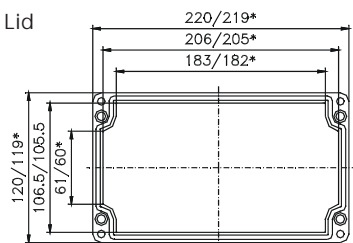
Weight: **1280 g**

DIN rail length in mm	max. fitting length in mm	Mounting plate (thickness in mm)	External mounting brackets	External hinge* set	EMC version	Allen lid screws	Silicone lid seal	Sealable lid screws
TS 35								
205	183	1.5	•	•	•	•	•	•

Maximum number of cable glands to *DIN 50262**

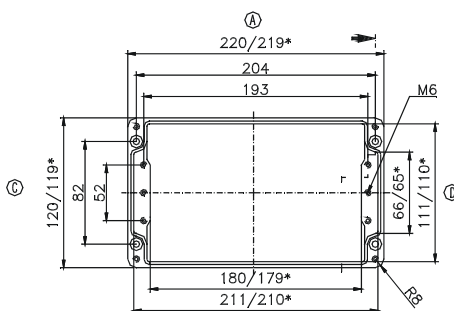
M	Corner dim.	Side		PG	Corner dim.	Side	
		A/B	C/D			A/B	C/D
12	17.25	38	12	7	17.25	36	12
16	25.30	17	5	9	21.85	24	6
20	27.60	14	4	11	25.30	15	5
25	37.95	7	2	13.5	27.60	14	4
32	48.30	4	1	16	31.05	12	3
40	60.95	3	1	21	37.95	6	2
50	69.00			29	48.30	4	1
63	74.75			36	60.95	3	1
				42	69.00		
				48	74.75		

Lid

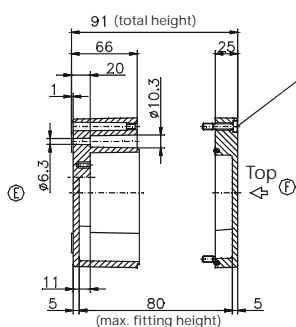


* = Conical form tapering downwards
Free dimensions-tolerance to DIN 16901 - 130

Cylinder screw
M6x35/10
similar to DIN 84



Base



Type: **02.16 16 09**

External dimensions: **160 x 160 x 91 mm**

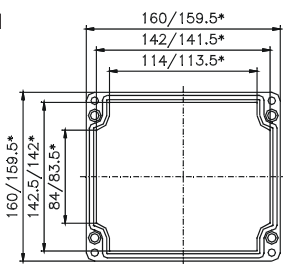
Weight: **1280 g**

DIN rail length in mm	max. fitting length in mm	Mounting plate (thickness in mm)	External mounting brackets	External hinge* set	EMC version	Allen lid screws	Silicone lid seal	Sealable lid screws
TS 35								
144	122	1.5	•	•	•	•	•	•

Maximum number of cable glands to *DIN 50262**

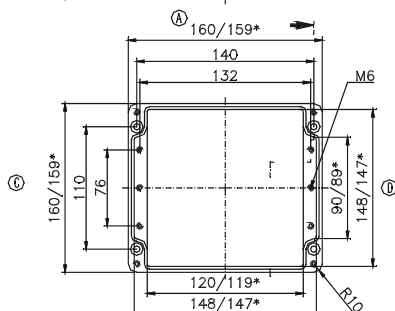
M	Corner dim.	Side		PG	Corner dim.	Side	
		A/B	C/D			A/B	C/D
12	17.25	26	18	7	17.25	26	18
16	25.30	14	8	9	21.85	15	12
20	27.60	9	6	11	25.30	12	8
25	37.95	6	3	13.5	27.60	9	6
32	48.30	3	2	16	31.05	8	6
40	60.95	2	1	21	37.95	6	3
50	69.00	2	1	29	48.30	2	2
63	74.75			36	60.95	2	1
				42	69.00	1	
				48	74.75		

Lid

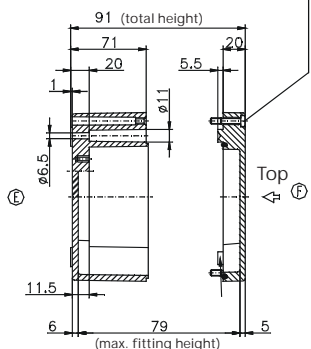


* = Conical form tapering downwards
Free dimensions-tolerance to DIN 16901 - 130

Cylinder screw
M6x30/10
similar to DIN 84



Base



* Please quote mounting side

Type: **02.16 26 09**

External dimensions: **160 x 260 x 91 mm**

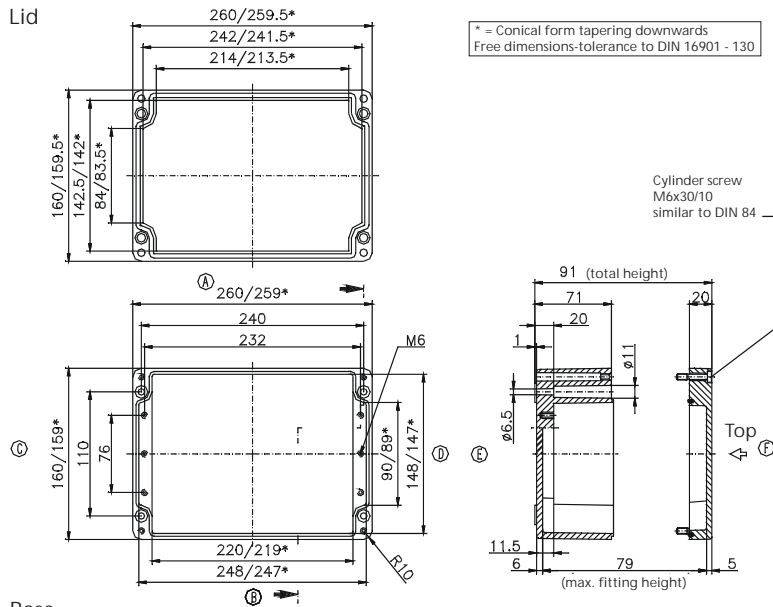
Weight: **1700 g**

DIN rail length in mm	max. fitting length in mm	Mounting plate (thickness in mm)	External mounting brackets	External hinge* set	EMC version	Allen lid screws	Silicone lid seal	Sealable lid screws
TS 35								
245	222	1.5	•	•	•	•	•	•

Maximum number of cable glands to **DIN 50262***

M	Corner dim.	Side		PG	Corner dim.	Side	
		A/B	C/D			A/B	C/D
12	17.25	50	16	7	17.25	50	15
16	25.30	26	8	9	21.85	30	11
20	27.60	17	6	11	25.30	21	6
25	37.95	11	3	13.5	27.60	17	6
32	48.30	5	2	16	31.05	14	5
40	60.95	3	1	21	37.95	11	3
50	69.00	3		29	48.30	5	2
63	74.75			36	60.95	3	1
				42	69.00	3	
				48	74.75		

Lid



Base

Type: **02.16 36 09**

External dimensions: **160 x 360 x 91 mm**

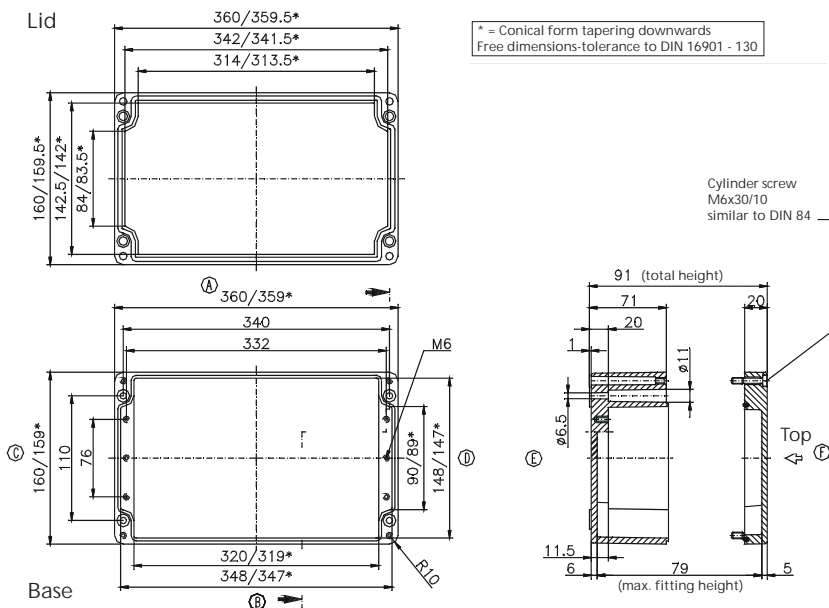
Weight: **2600 g**

DIN rail length in mm	max. fitting length in mm	Mounting plate (thickness in mm)	External mounting brackets	External hinge* set	EMC version	Allen lid screws	Silicone lid seal	Sealable lid screws
TS 35								
343	322	1.5	•	•	•	•	•	•

Maximum number of cable glands to **DIN 50262***

M	Corner dim.	Side		PG	Corner dim.	Side	
		A/B	C/D			A/B	C/D
12	17.25	72	18	7	17.25	72	18
16	25.30	38	8	9	21.85	42	12
20	27.60	26	6	11	25.30	36	8
25	37.95	16	3	13.5	27.60	26	6
32	48.30	7	2	16	31.05	20	6
40	60.95	5	1	21	37.95	16	3
50	69.00	4	1	29	48.30	7	2
63	74.75			36	60.95	5	1
				42	69.00	4	
				48	74.75		

Lid



Base

* Please quote mounting side

Type: **02.16 56 09**

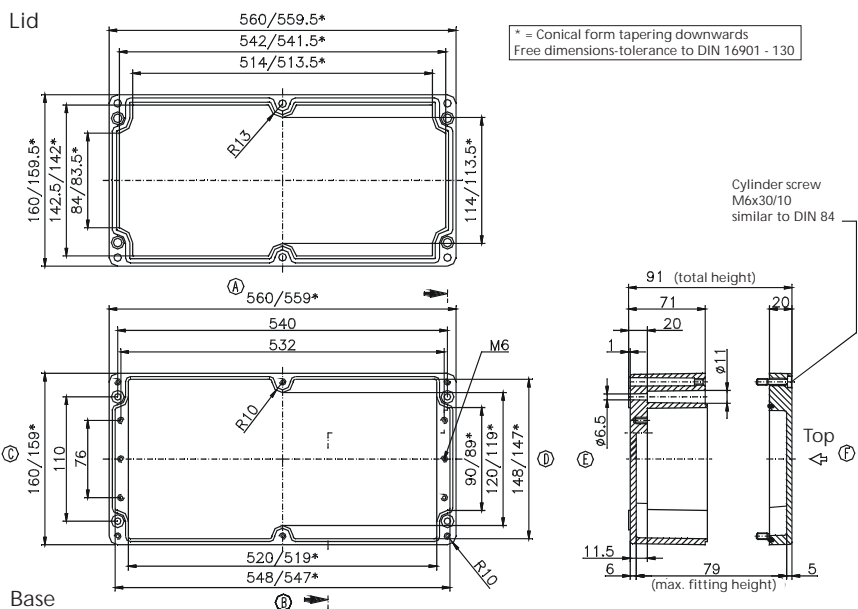
External dimensions: **160 x 560 x 91 mm**

Weight: **3700 g**

DIN rail length in mm	max. fitting length in mm	Mounting plate (thickness in mm)	External mounting brackets	External hinge* set	EMC version	Allen lid screws	Silicone lid seal	Sealable lid screws
TS 35								
543	522	2	•	•	•	•	•	•

Maximum number of cable glands to *DIN 50262**

M	Corner dim.	Side		PG	Corner dim.	Side	
		A/B	C/D			A/B	C/D
12	17.25	112	18	7	17.25	112	18
16	25.30	58	8	9	21.85	66	12
20	27.60	40	6	11	25.30	52	8
25	37.95	24	3	13.5	27.60	40	6
32	48.30	12	2	16	31.05	32	6
40	60.95	8	1	21	37.95	22	3
50	69.00	6	1	29	48.30	10	2
63	74.75			36	60.95	8	1
				42	69.00	6	
				48	74.75		



Type: **02.25 26 12**

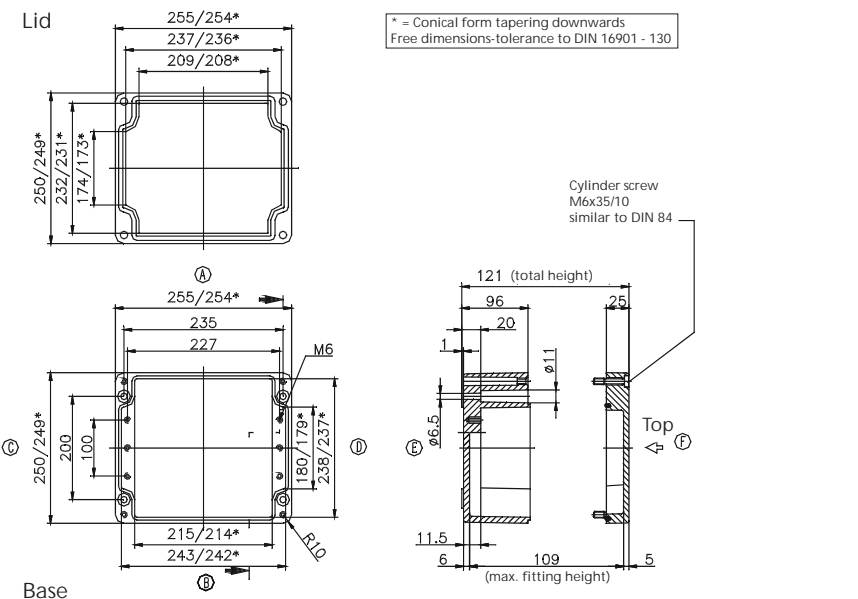
External dimensions: **250 x 255 x 121 mm**

Weight: **3066 g**

DIN rail length in mm	max. fitting length in mm	Mounting plate (thickness in mm)	External mounting brackets	External hinge* set	EMC version	Allen lid screws	Silicone lid seal	Sealable lid screws
TS 35								
238	217	2	•	•	•	•	•	•

Maximum number of cable glands to *DIN 50262**

M	Corner dim.	Side		PG	Corner dim.	Side	
		A/B	C/D			A/B	C/D
12	17.25	69	51	7	17.25	69	51
16	25.30	32	24	9	21.85	40	32
20	27.60	24	18	11	25.30	32	24
25	37.95	12	10	13.5	27.60	24	18
32	48.30	8	7	16	31.05	21	17
40	60.95	4	3	21	37.95	12	9
50	69.00	3	3	29	48.30	8	6
63	74.75	3	2	36	60.95	4	3
				42	69.00	3	2
				48	74.75	3	2



* Please quote mounting side

Type: **02.25 26 16**

External dimensions: **250 x 255 x 161 mm**

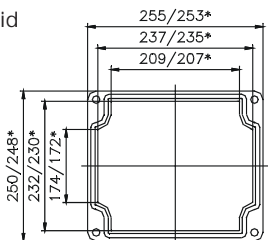
Weight: **4060 g**

DIN rail length in mm	max. fitting length in mm	Mounting plate (thickness in mm)	External mounting brackets	External hinge* set	EMC version	Allen lid screws	Silicone lid seal	Sealable lid screws
TS 35								
238	217	2	•	•	•	•	•	•

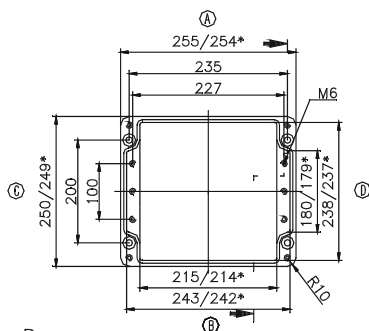
Maximum number of cable glands to **DIN 50262***

M	Corner dim.	Side		PG	Corner dim.	Side	
		A/B	C/D			A/B	C/D
12	17.25	69	51	7	17.25	69	51
16	25.30	32	24	9	21.85	40	32
20	27.60	24	18	11	25.30	32	24
25	37.95	12	10	13.5	27.60	24	18
32	48.30	8	7	16	31.05	21	17
40	60.95	4	3	21	37.95	12	9
50	69.00	3	3	29	48.30	8	6
63	74.75	3	2	36	60.95	4	3
				42	69.00	3	2
				48	74.75	3	2

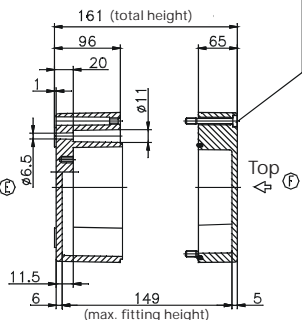
Lid



* = Conical form tapering downwards
Free dimensions-tolerance to DIN 16901 - 130



Base



Cylinder screw
M6x75/15
similar to DIN 84

Type: **02.25 40 12**

External dimensions: **250 x 400 x 121 mm**

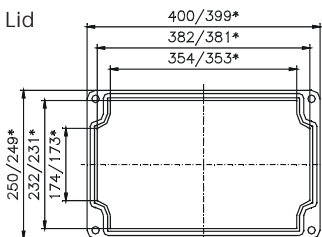
Weight: **4700 g**

DIN rail length in mm	max. fitting length in mm	Mounting plate (thickness in mm)	External mounting brackets	External hinge* set	EMC version	Allen lid screws	Silicone lid seal	Sealable lid screws
TS 35								
381	362	2	•	•	•	•	•	•

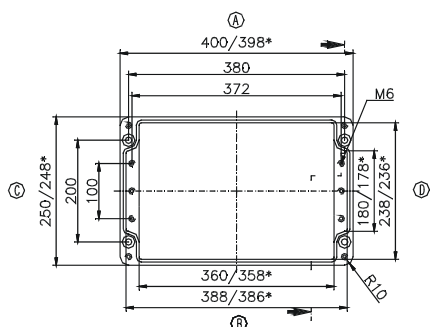
Maximum number of cable glands to **DIN 50262***

M	Corner dim.	Side		PG	Corner dim.	Side	
		A/B	C/D			A/B	C/D
12	17.25	117	50	7	17.25	114	50
16	25.30	56	22	9	21.85	68	32
20	27.60	42	18	11	25.30	56	21
25	37.95	21	10	13.5	27.60	40	18
32	48.30	14	6	16	31.05	33	17
40	60.95	7	3	21	37.95	21	9
50	69.00	5	2	29	48.30	14	5
63	74.75	5	2	36	60.95	7	3
				42	69.00	5	2
				48	74.75	5	2

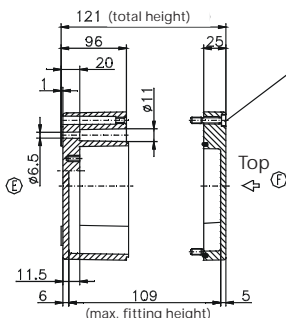
Lid



* = Conical form tapering downwards
Free dimensions-tolerance to DIN 16901 - 130



Base



Cylinder screw
M6x35/10
similar to DIN 84

* Please quote mounting side

Type: **02.25 40 16**

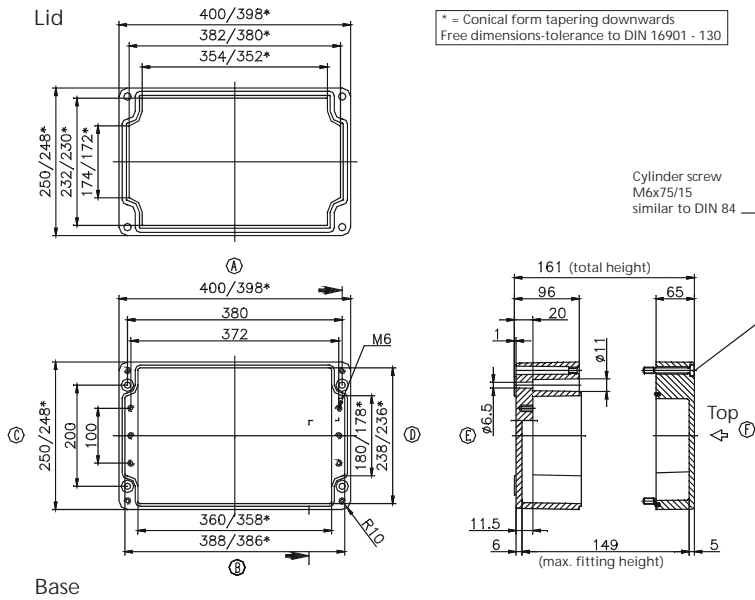
External dimensions: **250 x 400 x 161 mm**

Weight: **5440 g**

DIN rail length in mm	max. fitting length in mm	Mounting plate (thickness in mm)	External mounting brackets	External hinge* set	EMC version	Allen lid screws	Silicone lid seal	Sealable lid screws
TS 35								
381	362	2	•	•	•	•	•	•

Maximum number of cable glands to *DIN 50262**

M	Corner dim.	Side		PG	Corner dim.	Side	
		A/B	C/D			A/B	C/D
12	17.25	117	50	7	17.25	114	50
16	25.30	56	24	9	21.85	68	32
20	27.60	42	18	11	25.30	56	22
25	37.95	21	10	13.5	27.60	40	18
32	48.30	14	7	16	31.05	33	17
40	60.95	7	3	21	37.95	21	9
50	69.00	5	3	29	48.30	14	6
63	74.75	5	2	36	60.95	7	3
				42	69.00	5	2
				48	74.75	5	2



Type: **02.25 60 12**

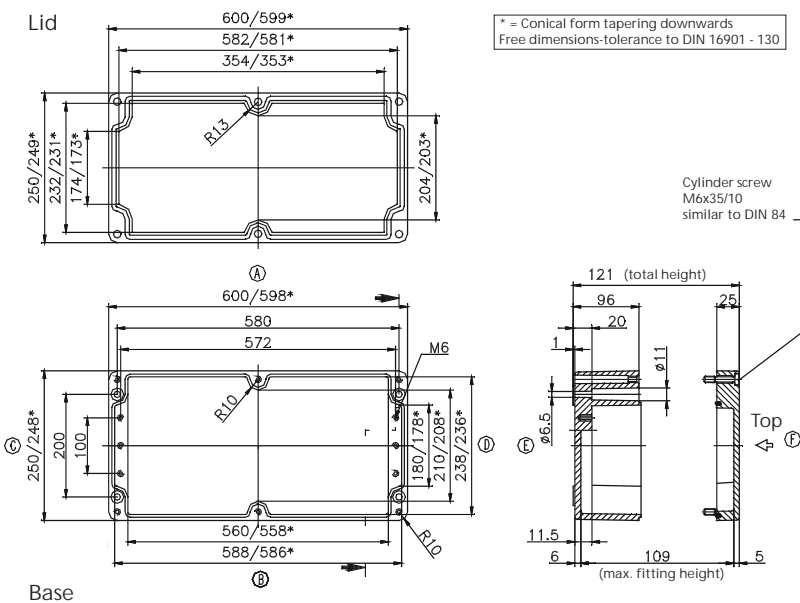
External dimensions: **250 x 600 x 121 mm**

Weight: **6670 g**

DIN rail length in mm	max. fitting length in mm	Mounting plate (thickness in mm)	External mounting brackets	External hinge* set	EMC version	Allen lid screws	Silicone lid seal	Sealable lid screws
TS 35								
581	562	2	•	•	•	•	•	•

Maximum number of cable glands to *DIN 50262**

M	Corner dim.	Side		PG	Corner dim.	Side	
		A/B	C/D			A/B	C/D
12	17.25	174	50	7	17.25	174	50
16	25.30	84	24	9	21.85	100	32
20	27.60	60	18	11	25.30	80	22
25	37.95	30	10	13.5	27.60	60	18
32	48.30	20	7	16	31.05	48	17
40	60.95	10	3	21	37.95	30	9
50	69.00	8	3	29	48.30	20	6
63	74.75	6	2	36	60.95	10	3
				42	69.00	8	2
				48	74.75	6	2



* Please quote mounting side

Type: **02.36 36 09**

External dimensions: **360 x 360 x 91 mm**

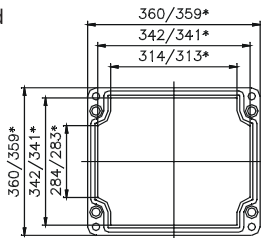
Weight: **4400 g**

DIN rail length in mm	max. fitting length in mm	Mounting plate (thickness in mm)	External mounting brackets	External hinge* set	EMC version	Allen lid screws	Silicone lid seal	Sealable lid screws
TS 35								
343	320	2	•	•	•	•	•	•

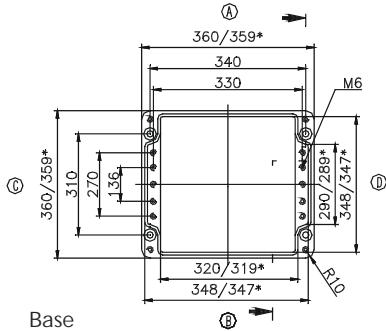
Maximum number of cable glands to **DIN 50262***

M	Corner dim.	Side		PG	Corner dim.	Side	
		A/B	C/D			A/B	C/D
12	17.25	72	52	7	17.25	72	52
16	25.30	38	24	9	21.85	42	38
20	27.60	26	20	11	25.30	33	23
25	37.95	16	10	13.5	27.60	26	20
32	48.30	7	6	16	31.05	20	18
40	60.95	5	5	21	37.95	15	9
50	69.00	4		29	48.30	7	6
63	74.75			36	60.95	5	4
				42	69.00	4	
				48	74.75		

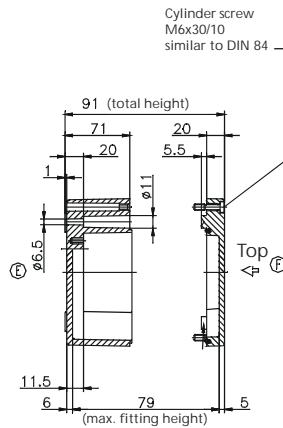
Lid



* = Conical form tapering downwards
Free dimensions-tolerance to DIN 16901 - 130



Base



Type: **02.41 40 12**

External dimensions: **405 x 400 x 121 mm**

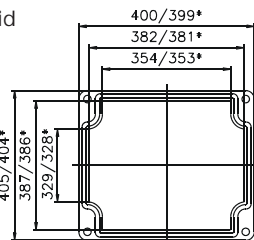
Weight: **7120 g**

DIN rail length in mm	max. fitting length in mm	Mounting plate (thickness in mm)	External mounting brackets	External hinge* set	EMC version	Allen lid screws	Silicone lid seal	Sealable lid screws
TS 35								
381	362	2	•	•	•	•	•	•

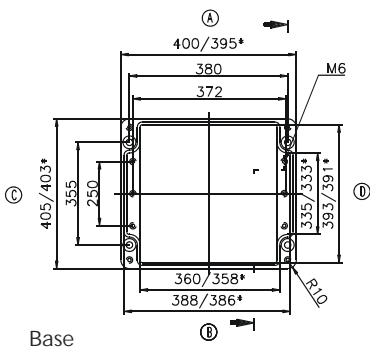
Maximum number of cable glands to **DIN 50262***

M	Corner dim.	Side		PG	Corner dim.	Side	
		A/B	C/D			A/B	C/D
12	17.25	117	95	7	17.25	114	95
16	25.30	56	46	9	21.85	68	60
20	27.60	42	36	11	25.30	56	44
25	37.95	21	18	13.5	27.60	40	36
32	48.30	14	13	16	31.05	33	32
40	60.95	7	6	21	37.95	21	18
50	69.00	5	5	29	48.30	14	12
63	74.75	5	4	36	60.95	7	6
				42	69.00	5	5
				48	74.75	5	4

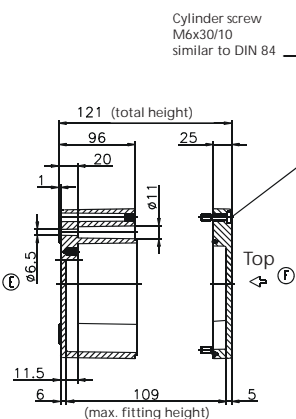
Lid



* = Conical form tapering downwards
Free dimensions-tolerance to DIN 16901 - 130



Base



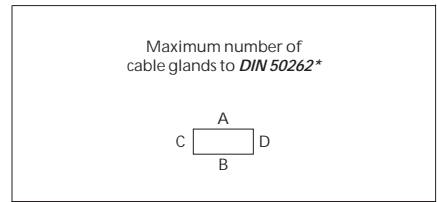
* Please quote mounting side

Type: **02.41 40 20**

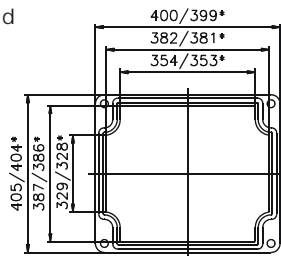
External dimensions: **405 x 400 x 201 mm**

Weight: **6650 g**

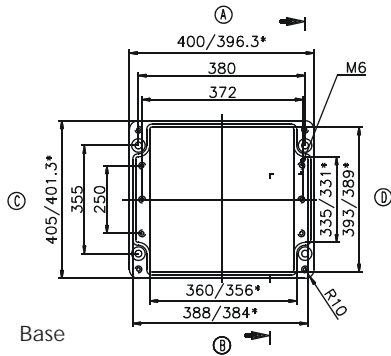
DIN rail length in mm	max. fitting length in mm	Mounting plate (thickness in mm)	External mounting brackets	External hinge* set	EMC version	Allen lid screws	Silicone lid seal	Sealable lid screws
TS 35								
381	362	2	•	•	•	•	•	•



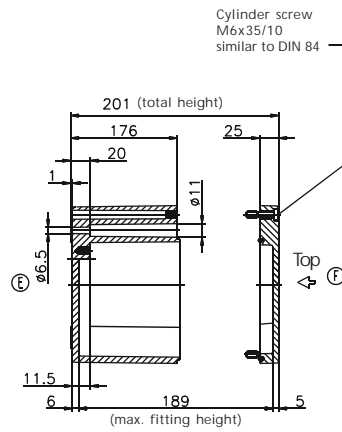
Lid



* = Conical form tapering downwards
Free dimensions-tolerance to DIN 16901 - 130



Base



M	Corner dim.	Side		PG	Corner dim.	Side	
		A	C			A	C
12	17.25	210	190	7	17.25	205	190
16	25.30	98	91	9	21.85	128	120
20	27.60	88	77	11	25.30	98	91
25	37.95	45	43	13.5	27.60	88	77
32	48.30	28	26	16	31.05	66	63
40	60.95	17	15	21	37.95	45	40
50	69.00	12	11	29	48.30	28	24
63	74.75	9	8	36	60.95	17	15
				42	69.00	11	11
				48	74.75	10	8

* Please quote mounting side