

MODEL:

SRW012UHD

12U Heavy-Duty Wall-Mount Open Frame Rack



12 Rack Units



150 lb. Load Rating



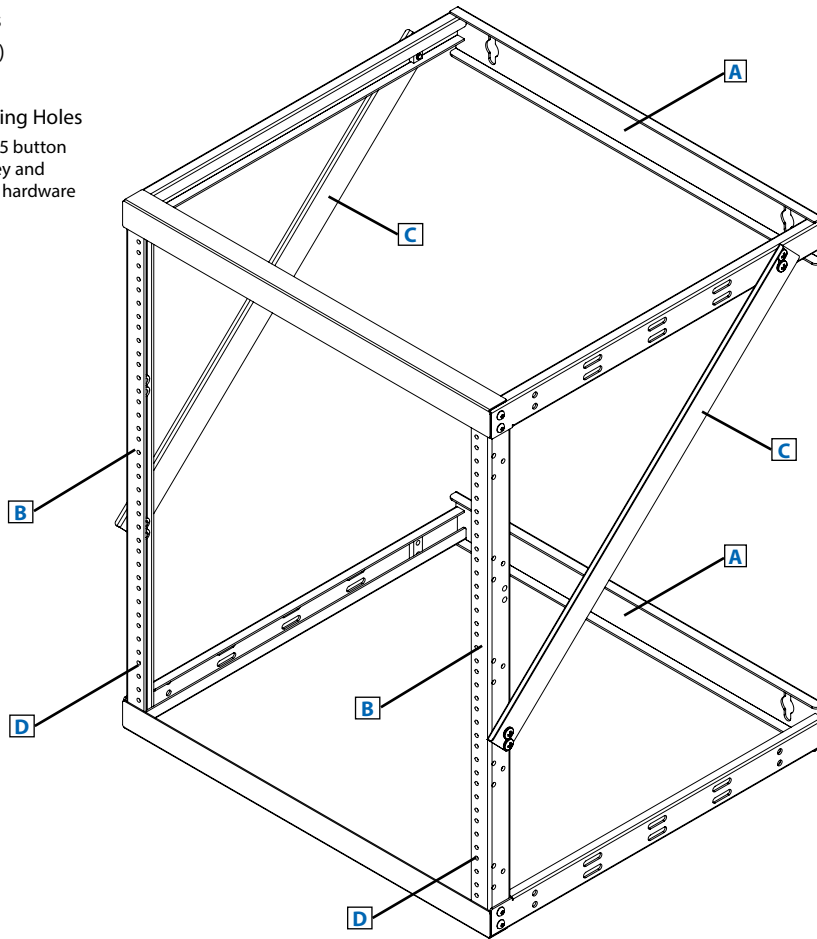
Accommodates Standard
19-inch Equipment



Sturdy Steel
Construction

- A** Top/Bottom Panel Frames
- B** Vertical Mounting Rails (2)
- C** Reinforcement Straps (2)
- D** Threaded (#12-24) Mounting Holes

Also Includes: Owner's Manual, M5 button head cap screws (8), 3 mm Hex Key and rackmount equipment mounting hardware (24 #12-24 screws).



- Wall-mount racks provide convenient storage for rackmount IT devices and other equipment that should be off the floor and out of the way

- 2-post open-frame design is ideal for IT environments that do not require a lockable enclosure cabinet
- Ships disassembled for easy transport and assembly in tight spaces
- Threaded (#12-24) mounting holes enable fast equipment mounting
- Ideal for cost-conscious 19-inch rackmount applications



Specifications

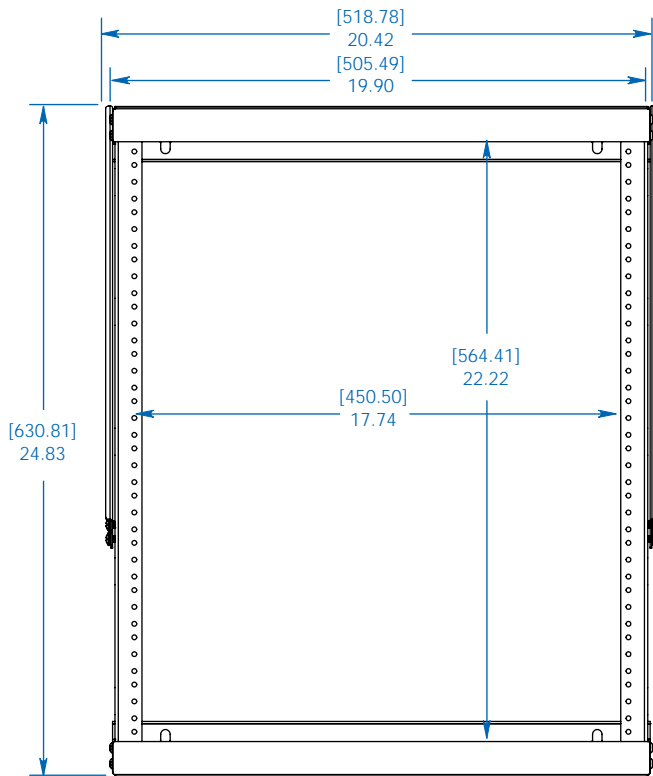
Model	SRW012UHD
Rack Spaces	12U
Equipment Mounting Depth	18 in. (45.72 cm)
Load Rating*	150 lb. (68 kg)
Unit Dimensions (H x W x D)	24.8 x 20.1 x 18.24 in. (63 x 51 x 46.3 cm)
Shipping Dimensions (H x W x D)	4 x 22 x 23.8 in. (10.16 x 55.88 x 60.45 cm)
Unit Weight	14.3 lb. (6.48 kg)
Shipping Weight	15.4 lb. (6.98 kg)
Standards	Meets EIA-310-D, IEC 60297-3-100, DIN 41494, NOM (Mexico) and RoHS standards

* The load rating includes the combined weight of the unit and installed equipment. The unit must be mounted to a stable surface with user-supplied anchors capable of bearing the full load.
Tripp Lite has a policy of continuous improvement. Specifications are subject to change without notice.

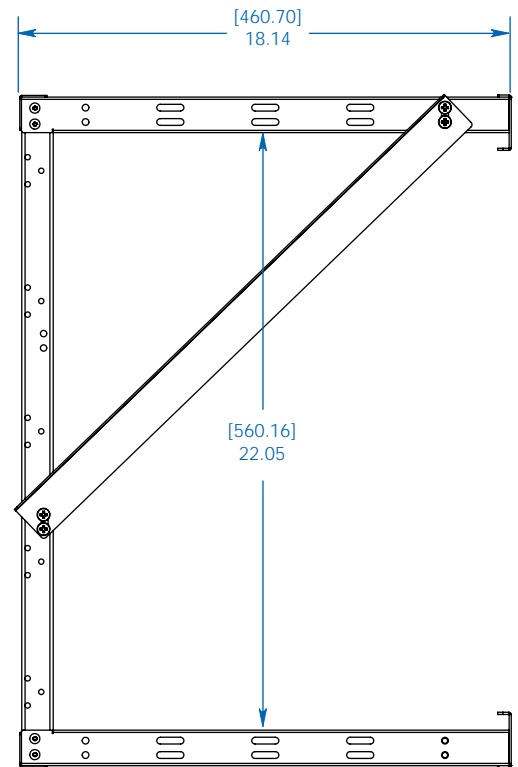
SEE NEXT PAGE FOR DETAILED UNIT MEASUREMENTS



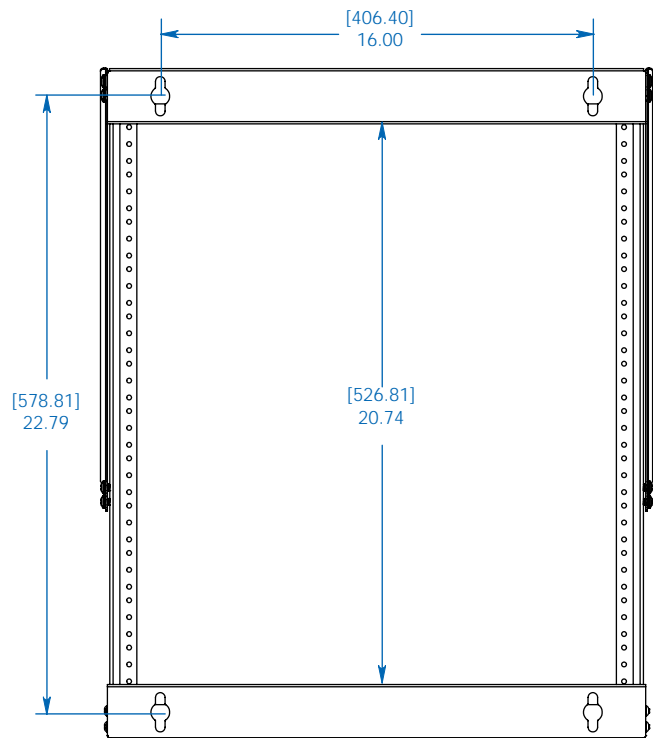
1111 W. 35th Street
Chicago, IL 60609 USA
773.869.1234
www.tripplite.com



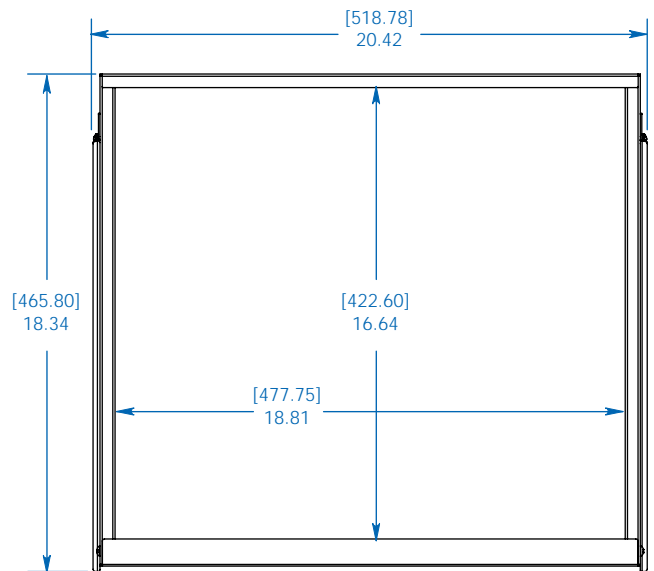
FRONT VIEW



SIDE VIEW



REAR VIEW



TOP VIEW

Dimensions: [mm] INCHES

Tripp Lite has a policy of continuous improvement. Specifications are subject to change without notice.

MODEL:
SRWO12UHD
TRIPP·LITE

1111 W. 35th Street
 Chicago, IL 60609 USA
 773.869.1234
 www.tripplite.com