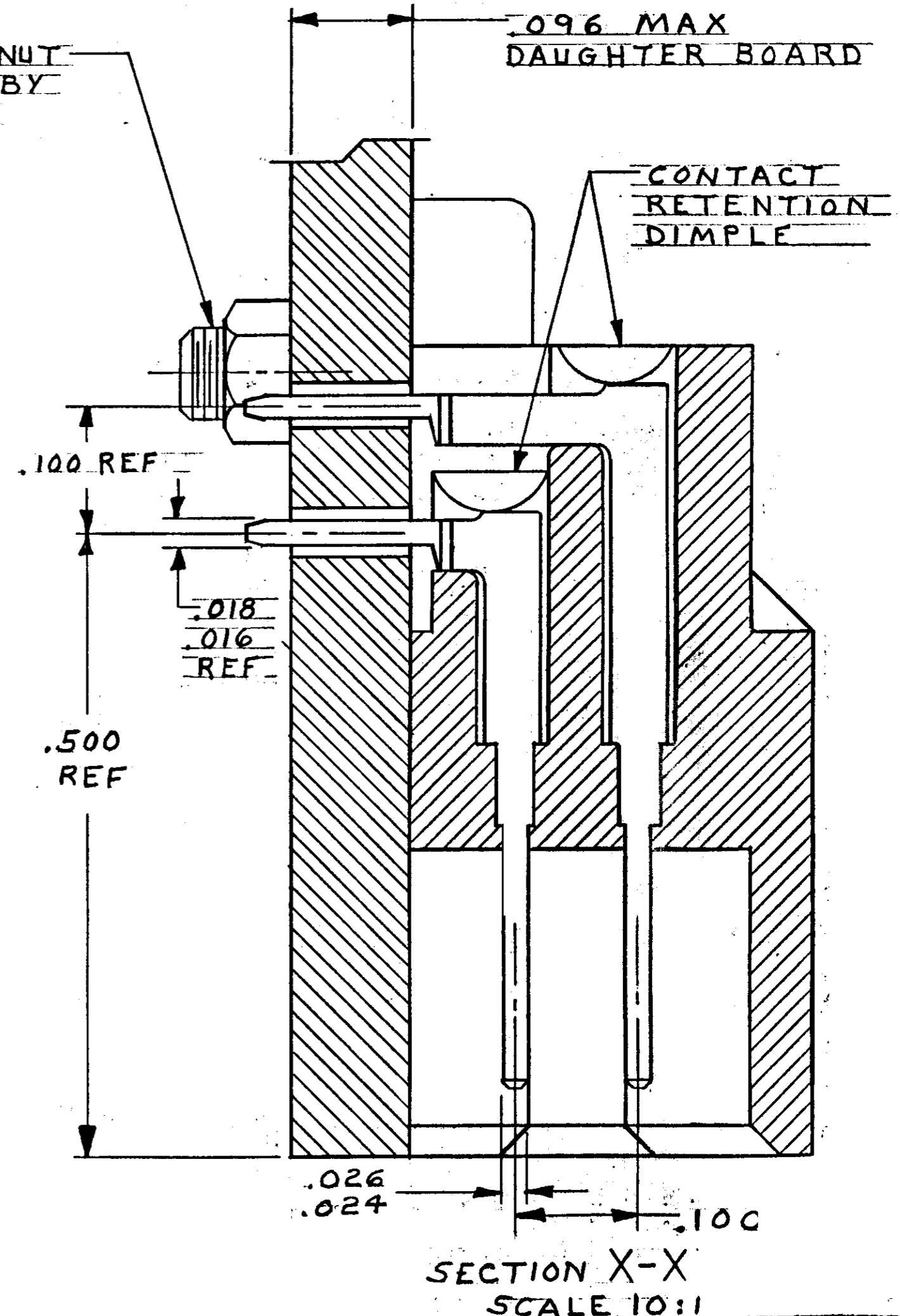
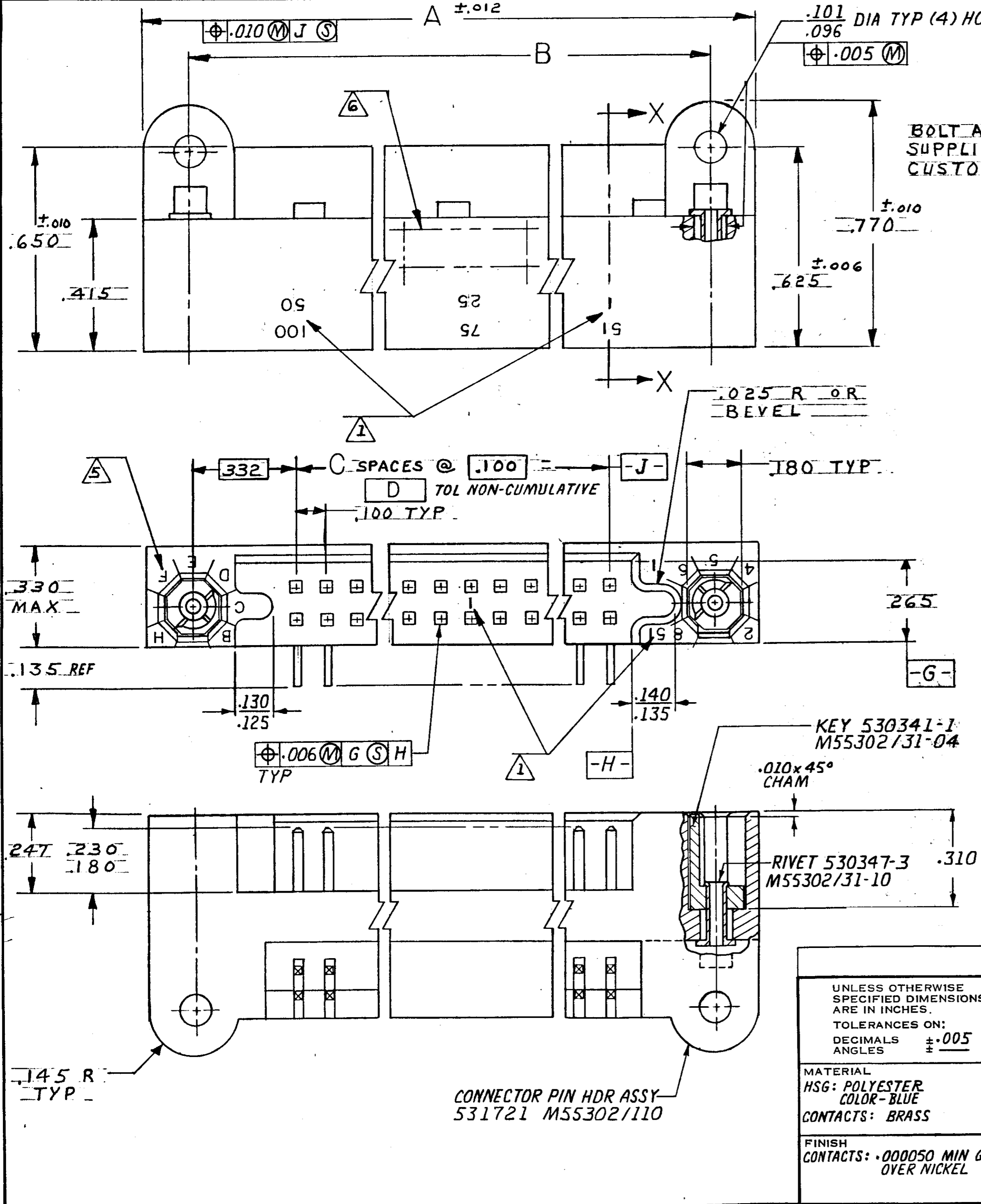


THIS DRAWING IS UNPUBLISHED. RELEASED FOR PUBLICATION, 19  
 © COPYRIGHT 19 BY AMP INCORPORATED, HARRISBURG, PA. ALL INTERNATIONAL RIGHTS RESERVED. AMP PRODUCTS MAY BE COVERED BY U.S. AND FOREIGN PATENTS AND/OR PATENTS PENDING.

REVISIONS						
P	F	ZONE	LTR	DESCRIPTION	DATE	APPROVED
✓	✓		F	REV PER DF-4316	AJG	2-91
✓	✓		G	REV PER 0600-5641-96	TT	9-97
			H	REV PER 0600-6467-97	TT	10-98
			J	ECO-10-002921	PY	3-10 DM

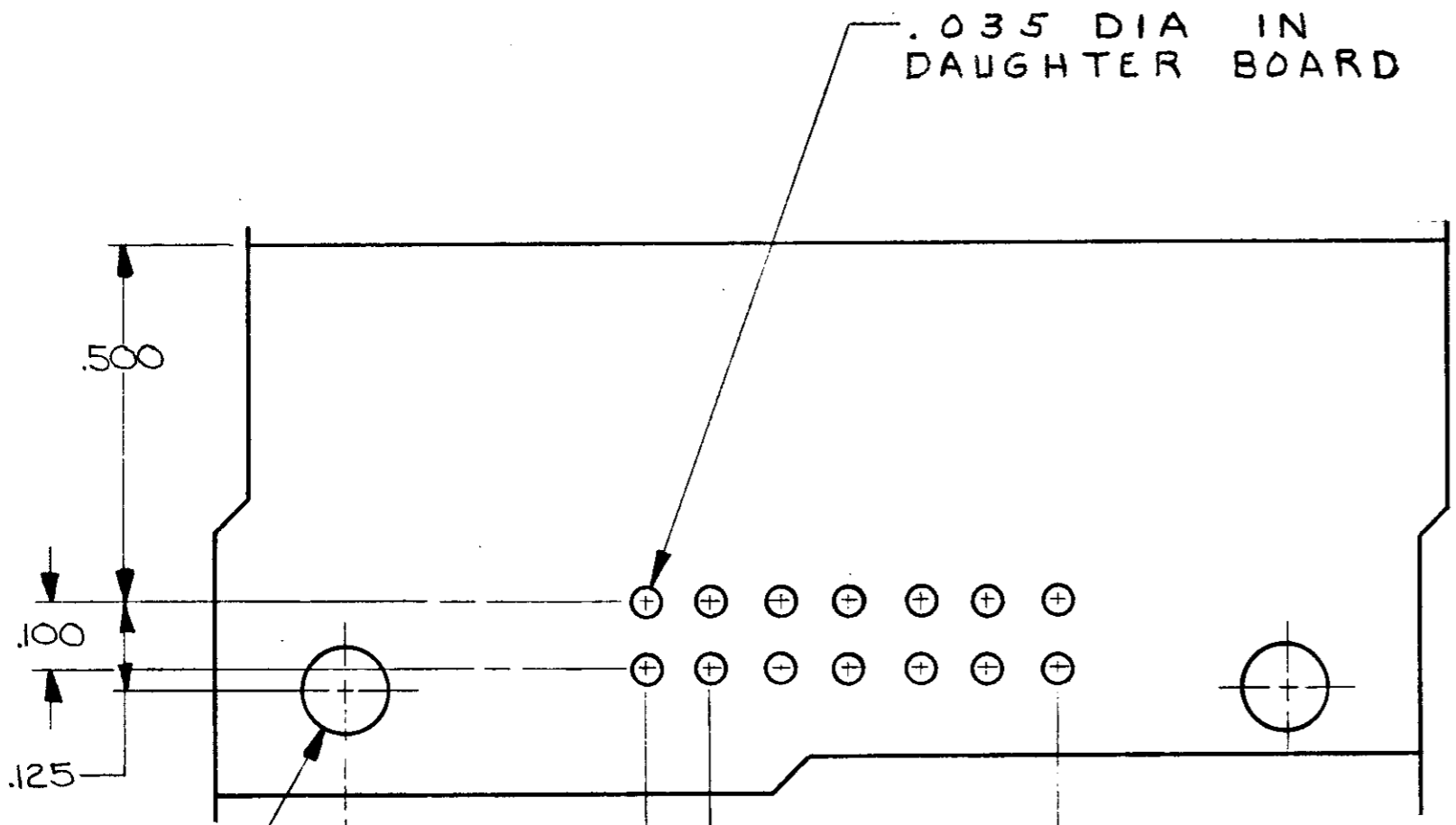


UNLESS OTHERWISE SPECIFIED DIMENSIONS ARE IN INCHES. TOLERANCES ON: DECIMALS ±.005 ANGLES ±	CONTRACT NO		PART NO		
	DR	10-26-81	AMP   AMP INCORPORATED Harrisburg, Pa. 17105		
	CHK	M. Smith			
	MATERIAL	HSG: POLYESTER COLOR-BLUE CONTACTS: BRASS	NAME PIN HDR ASSY, W/EXTERNAL KEYING, RGT ANGLE, MOUNTED CONNECTOR, BOX CONTACT, 1001 SERIES		
FINISH	CONTACTS: .000050 MIN GOLD OVER NICKEL	SIZE	FSCM NO	DRAWING NO	REV
		C	00779	531102	J
		SCALE	4:1	SHEET 1 OF 3	

CUSTOMER DRAWING

© COPYRIGHT 19 BY AMP INCORPORATED, HARRISBURG, PA.  
ALL INTERNATIONAL RIGHTS RESERVED. AMP INCORPORATED PRODUCTS  
COVERED BY U. S. AND FOREIGN PATENTS AND/OR PATENTS PENDING.

LOC		DIST		REVISIONS				
DF	FO	P	F	ZONE	LTR	DESCRIPTION	DATE	APPROVED
						SEE SHEET 1		



11 ± .002 DIA TYP  
CONN MOUNTING  
HOLES

RECOMMENDED BOARD LAYOUT  
NOT TO SCALE

OBS	768485-31	4.065	3.400	34	4.065	4.355		531721-5	C 3	1-36	70	2-531102-4
OBS	768485-30	4.065	3.400	34	4.065	4.355		-5	B 2	1-36	70	2-531102-3
OBS	768485-29	4.065	3.400	34	4.065	4.355		-5	A 1	1-36	70	2-531102-2
	768485-21	4.565	3.900	39	4.565	4.855		-6	G5	1-41	80	2-531102-1
	-20							-6	H6			2- -0
	-19							-6	A8			1- -9
	-18							-6	B5			1- -8
	-17	4.565	3.900	39	4.565	4.855		-6	F3	1-41	80	1- -7
OBS	-16	6.065	5.400	54	6.065	6.355		-9	H6	1-56	110	1- -6
	-15							-9	H1			1- -5
	-14							-9	G5			1- -4
	-13							-9	G4			1- -3
	-12							-9	F8			1- -2
OBS	-11							-9	F3			1- -1
	-10							-9	E7			1- -0
	-9							-9	E2			-9
	-8							-9	D7			-8
OBS	-7							-9	D1			-7
	-6							-9	C6			-6
	-5							-9	C4			-5
OBS	-4							-9	B5			-4
	-3							-9	B3			-3
	-2							-9	A8			-2
OBS	768485-1	6.065	5.400	54	6.065	6.355		531721-9	A2	1-56	110	531102-1
	CUSTOMER PART NO	E	D	C	B	A		UNKEYED CONN P/N	KEYING LOCATIONS	CAVITY IDENT NO	NO OF POS	ASSEMBLY PART NO

1. NUMBERS AND LINES INDICATING EVERY FIVE CAVITIES MARKED ON MATING FACE NUMBERS INDICATING EVERY FIVE CAVITIES MARKED ON SIDE. (SEE TABLE)
2. MUST MEET ALL APPLICABLE REQUIREMENTS OF MIL-C-55302.
3. KEY CAPTIVATED BY RIVET. ROLLED EDGES OF RIVET TIGHT AT LEAST 270° OF CONTACTING SURFACES.
4. USE EXTERNAL KEY NO 530341-1, MATES WITH PART NO 530340.
5. KEY POSITION IDENTIFICATION MOLDED ON SURFACE SHOWN.
6. ASSEMBLY PART NUMBER, AMP, PART NUMBER, CUST PART NO. (SEE TABLE), AND DATE CODE MARKED ON THIS AREA

UNLESS OTHERWISE SPECIFIED DIMENSIONS ARE IN INCHES. TOLERANCES ON: DECIMALS ± .005 ANGLES	CONTRACT NO		AMP INCORPORATED Harrisburg, Pa.
	MATERIAL	DR CHK APPD DSGN APPD OTHER APPD	
FINISH	R.W. DIZON R. SHREMAN	SIZE CODE IDENT NO DRAWING NO C 00779 531102	REV J
		SCALE 4:1	SHEET 2 of 3

