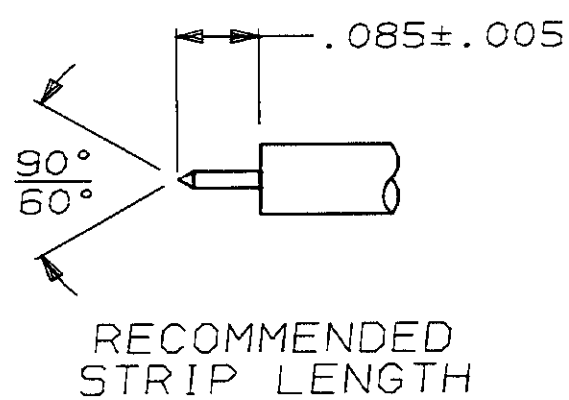
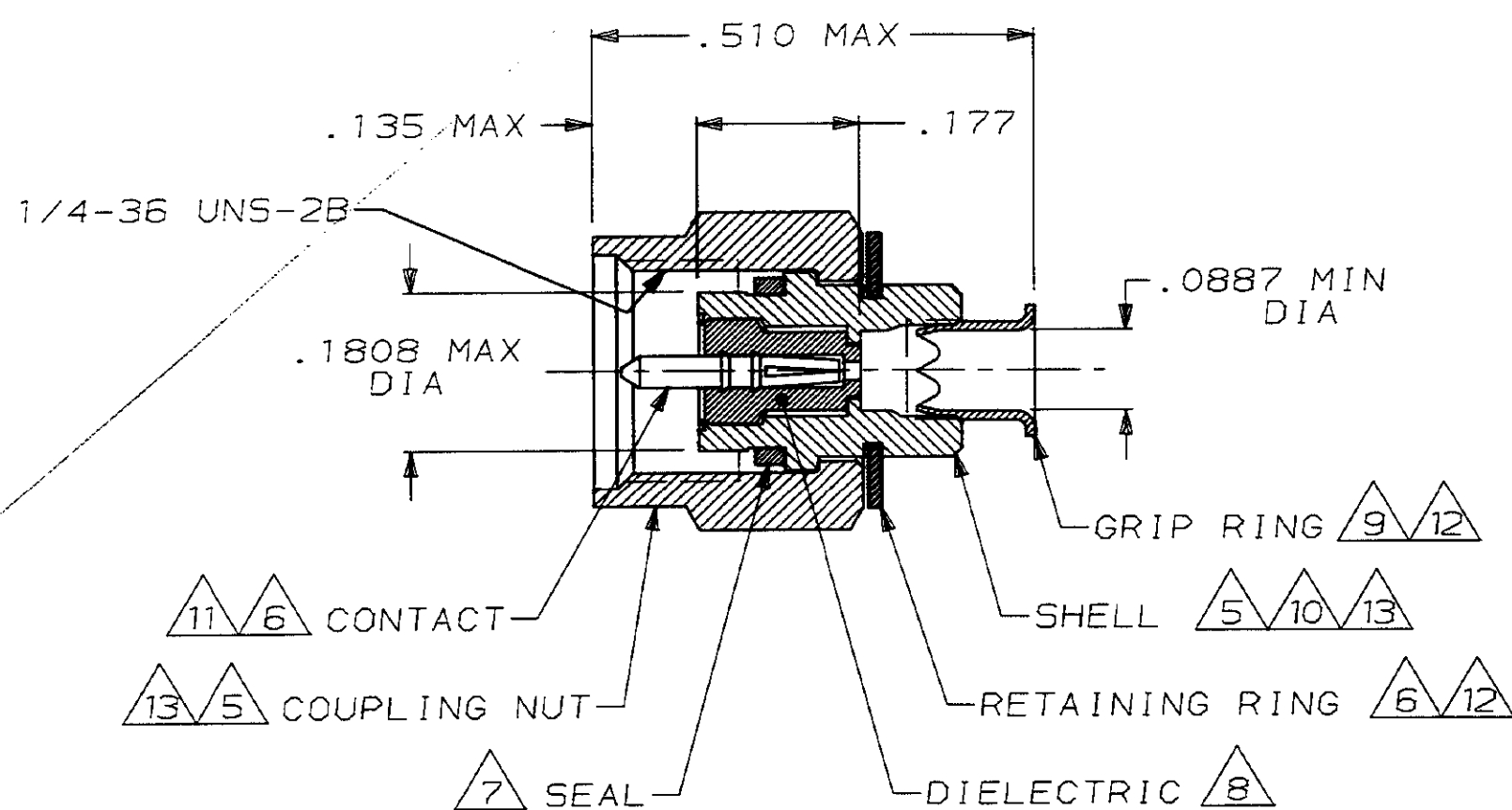
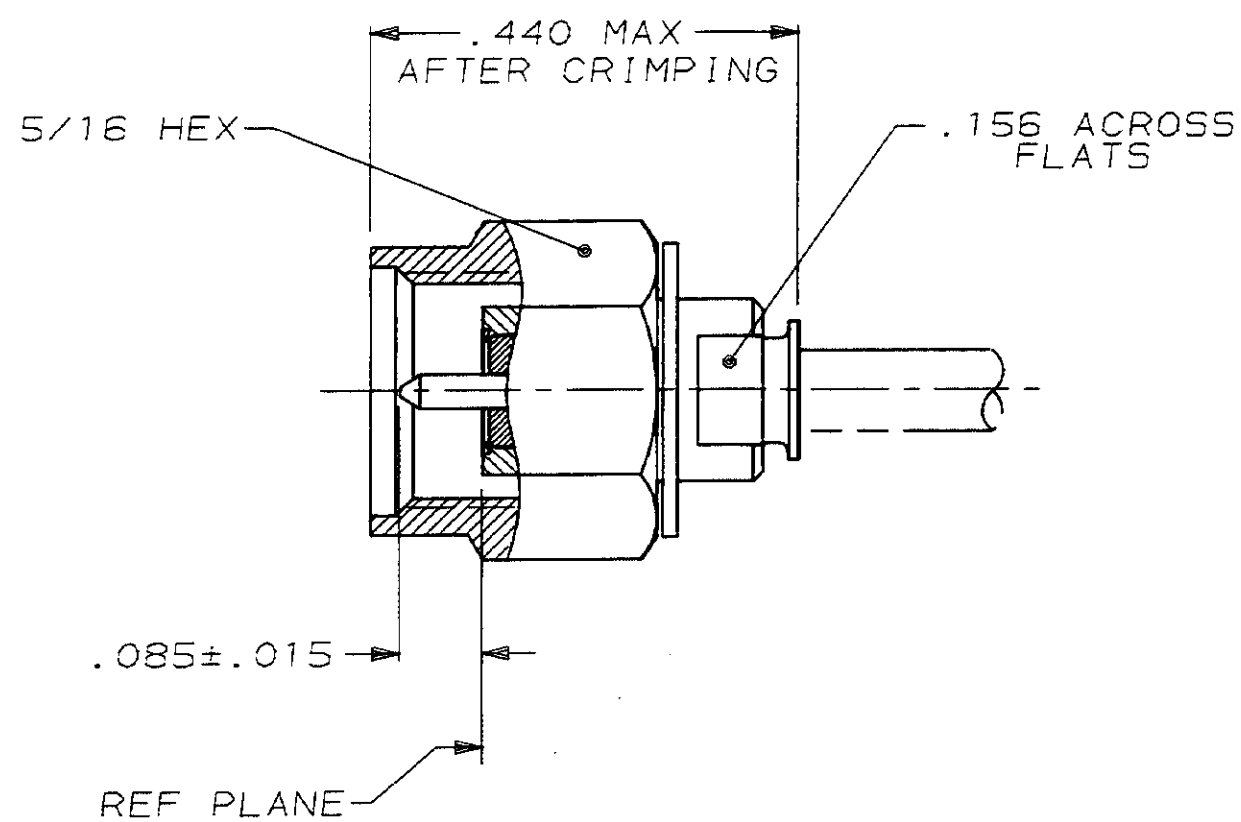


LOC	DIST	P	F	ZONE	LTR	REVISIONS	DATE	APPD
AJ	16					A	5-6-88	RR
						B	2-16-89	CB



- FOR USE WITH: RG-405/U, .086 DIA SEMI-RIGID CABLE
- USE CRIMPING TOOL: 59980-1  
USE PNEUMATIC TOOL: 58318-1
- SEE I.S.: 6788 & 9351
- .320 MIN LENGTH OF STRAIGHT CABLE REQUIRED TO APPLY TO CONNECTOR
- STAINLESS STEEL PER ASTM-A-582
- BERYLLIUM COPPER PER QQ-C-530
- SILICONE RUBBER PER ZZ-R-765
- PTFE PER MIL-P-19468
- BRASS PER MIL-C-50
- SEALANT
- GOLD PL PER MIL-G-45204
- NICKEL PL PER QQ-N-290
- PASSIVATED PER QQ-P-35
- FREQUENCY RANGE: 0 TO 26.5 GHZ

DO NOT SCALE PRINT. UNLESS SPECIFIED DIMENSIONS IN INCHES TOLERANCES ON: 2 PLC DEC ± .005 3 PLC DEC ± .005 ANGLES ±		DR R. RUTH 5-6-88	221812-1	
MATERIAL	FINISH	CHK M. SNEED 5-9-88	PART NO	
5 THRU 10	11 THRU 13	APPD M. WALMSLEY 5-10-88	AMP INCORPORATED Harrisburg, Pa. 17105	
		APPD R. RUTH 5-10-88	NAME	
		PRODUCT SPEC 108-12089	PLUG, WEATHERPROOF, SERIES SMA	
		APPLICATION SPEC	SIZE C	FSCM NO 00779
		WEIGHT	SCALE 5:1	DRAWING NO 221812-1
				SHEET 1 OF 1