

# XC9246B75CMR-G Evaluation Board Data

PWM Switching Control, Step-Down DC/DC Converter

■ **Spec**  
**Fosc** : 1.2 MHz  
**Vout** : 5.0 V

■ **Regarding I/O terminal**

Enable  
 $3V \leq EN/SS \leq 16V$   
 Disable  
 $0V \leq EN/SS \leq 0.4V$

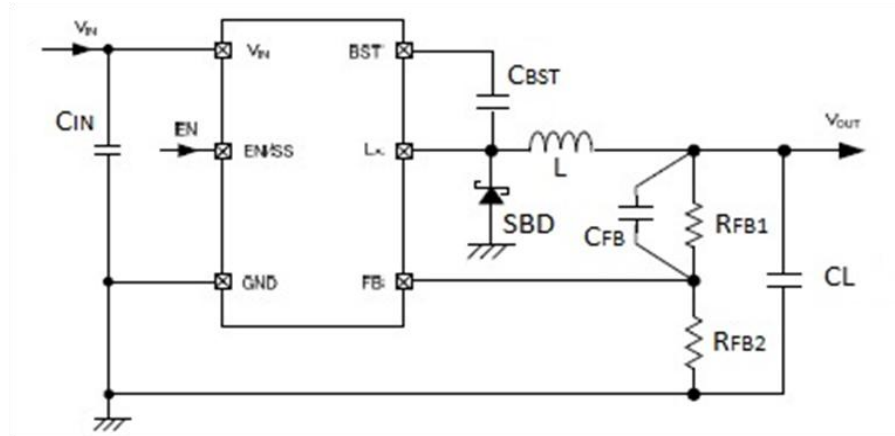


Fig. Circuit

■ **Notes**

- \* Please use external components and IC within the absolute maximum rating.
- \* Please evaluate the temperature feature within operating ambient temperature range.
- \* Please consider the heat dissipation for IC and external components observing their temperature if necessary.
- \* These data are reference data and we don't guarantee these data as specs.
- \* Please evaluate our product on your PCB and in your system well.

■ **External Components List**

	Q'ty	Description	Manufacturer
IC	1	XC9246B75CMR-G	Torex
L	1	VLP4045LT-6R8	TDK
SBD	1	XBS204S17R	Torex
CIN	1	C2012X5R1E106M	TDK
CL	2	C2012X5R1A106M	TDK
CBST	1	C1608X5R1A224K	TDK
RFB1	1	30k ohm	
RFB2	1	7.5k ohm	
CFB	1	270pF	
RSS	1	0 ohm( Jumper chip)	
Test pin	2	LC-2-S (EN, Lx)	Mac8
Terminal	4	tinned wire (VIN, VOUT, GND, GND)	
PCB	1	#128 XC9246/47	OKI

PCB mounted (SOT-26W)

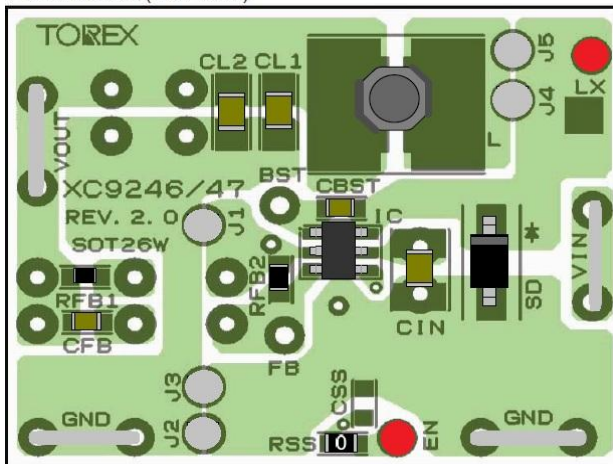


Fig. PCB