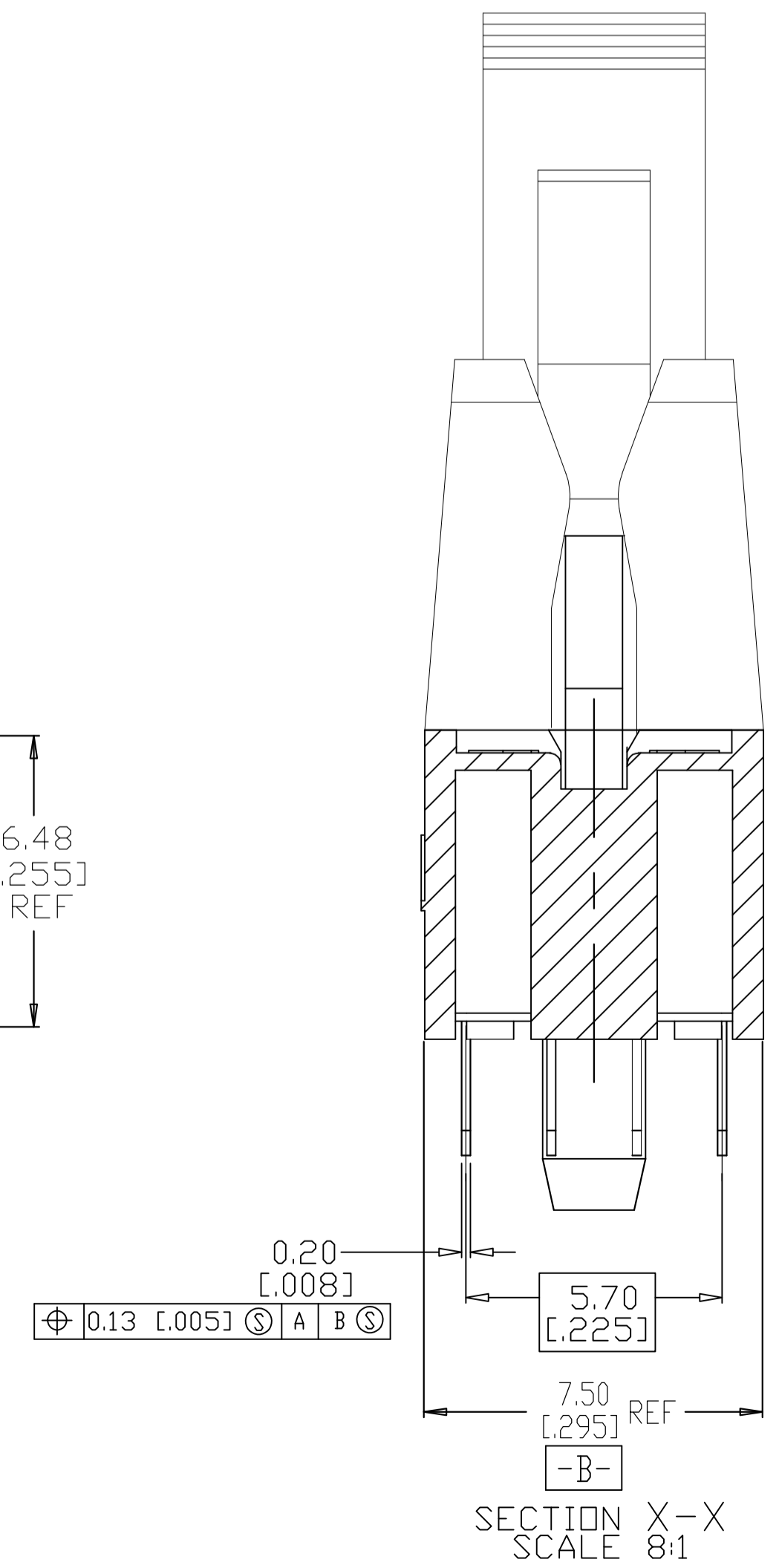
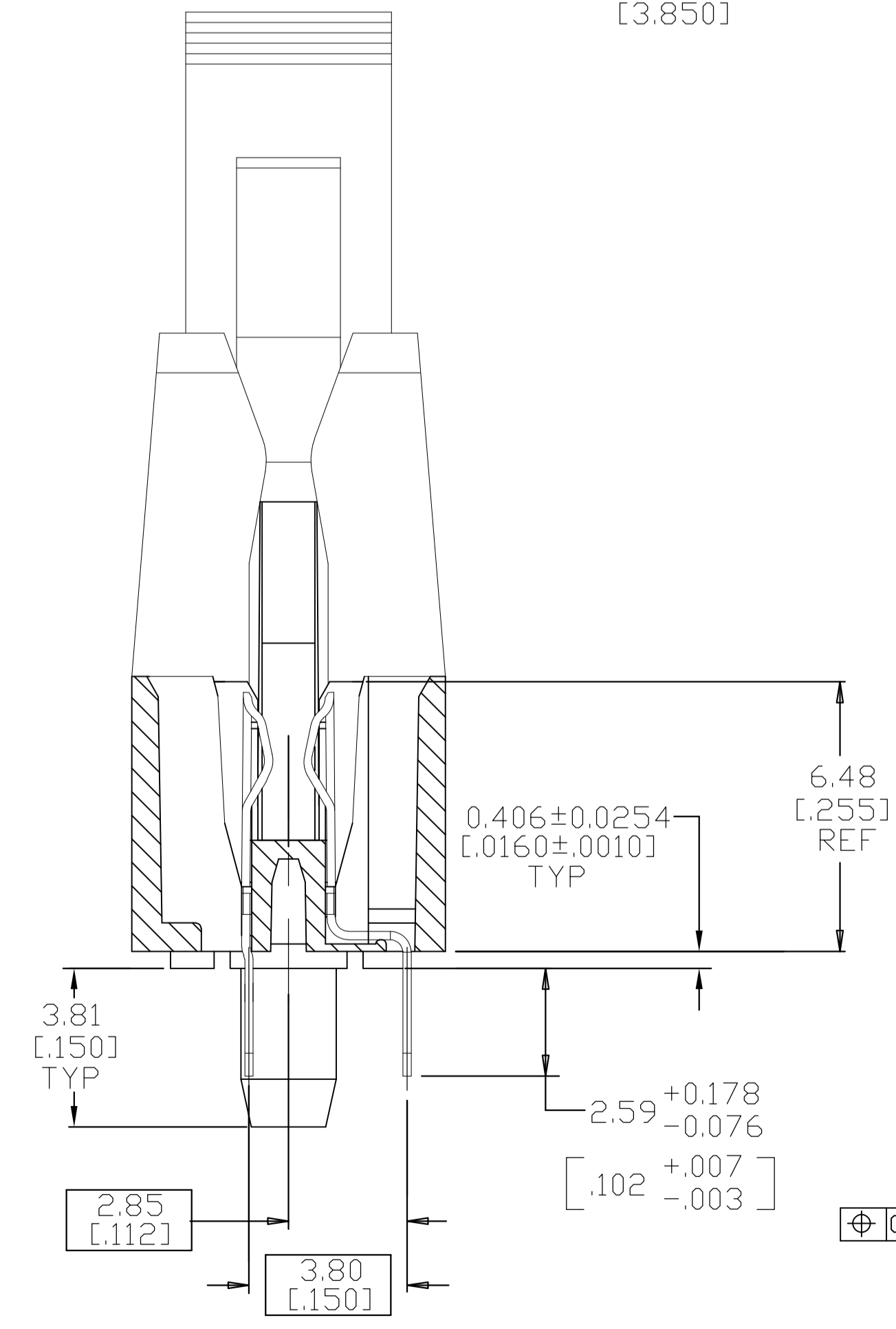
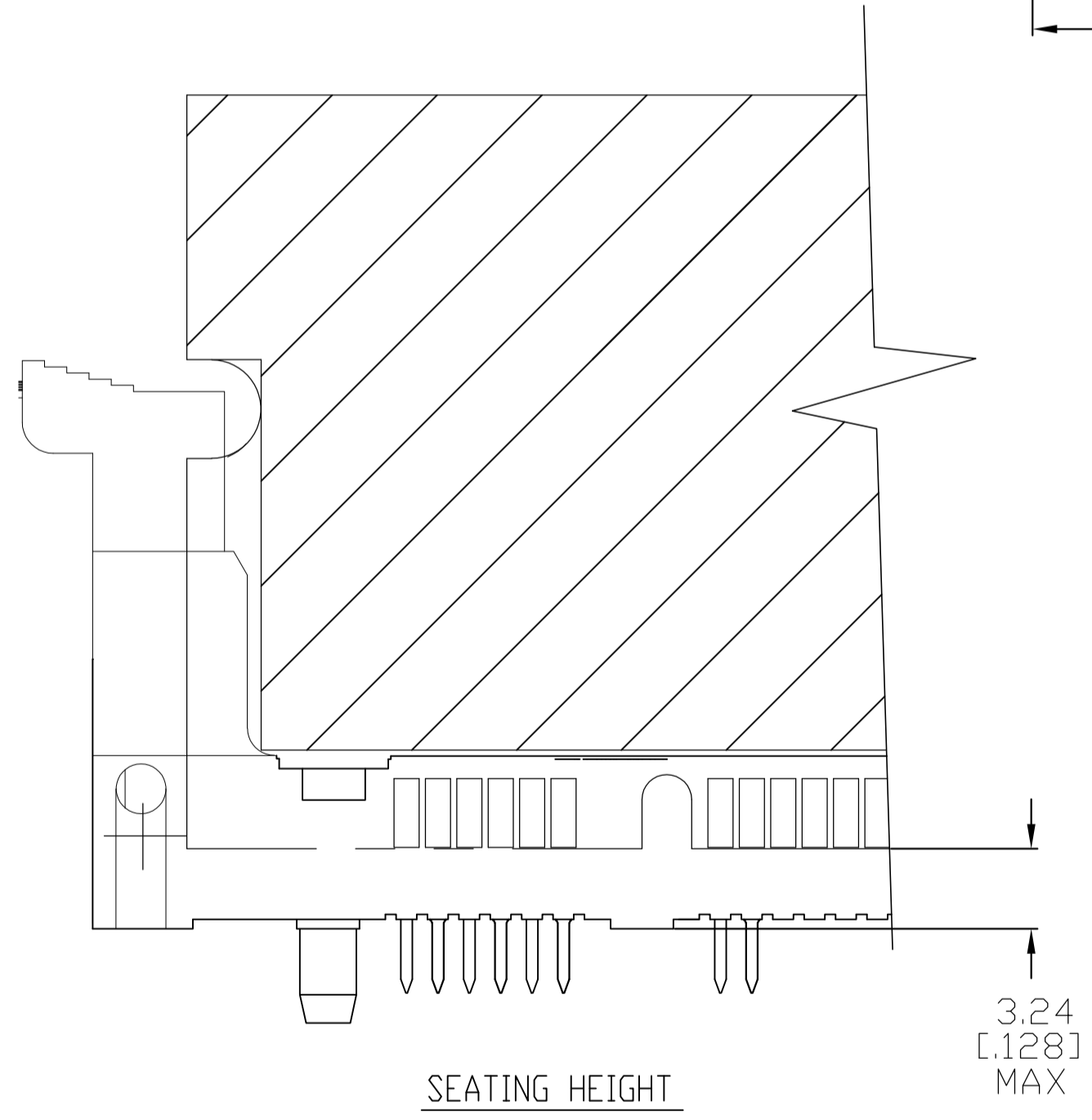
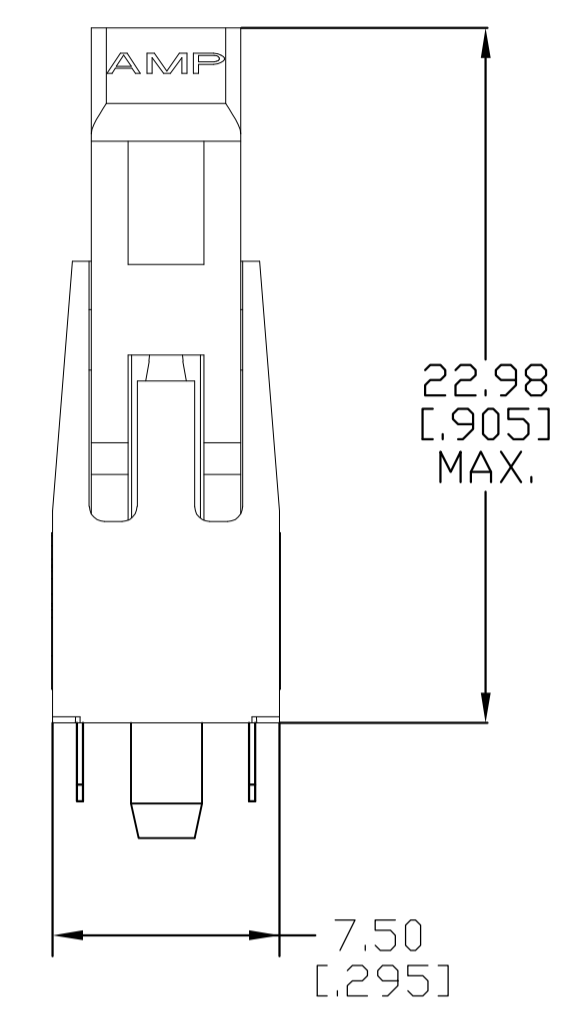
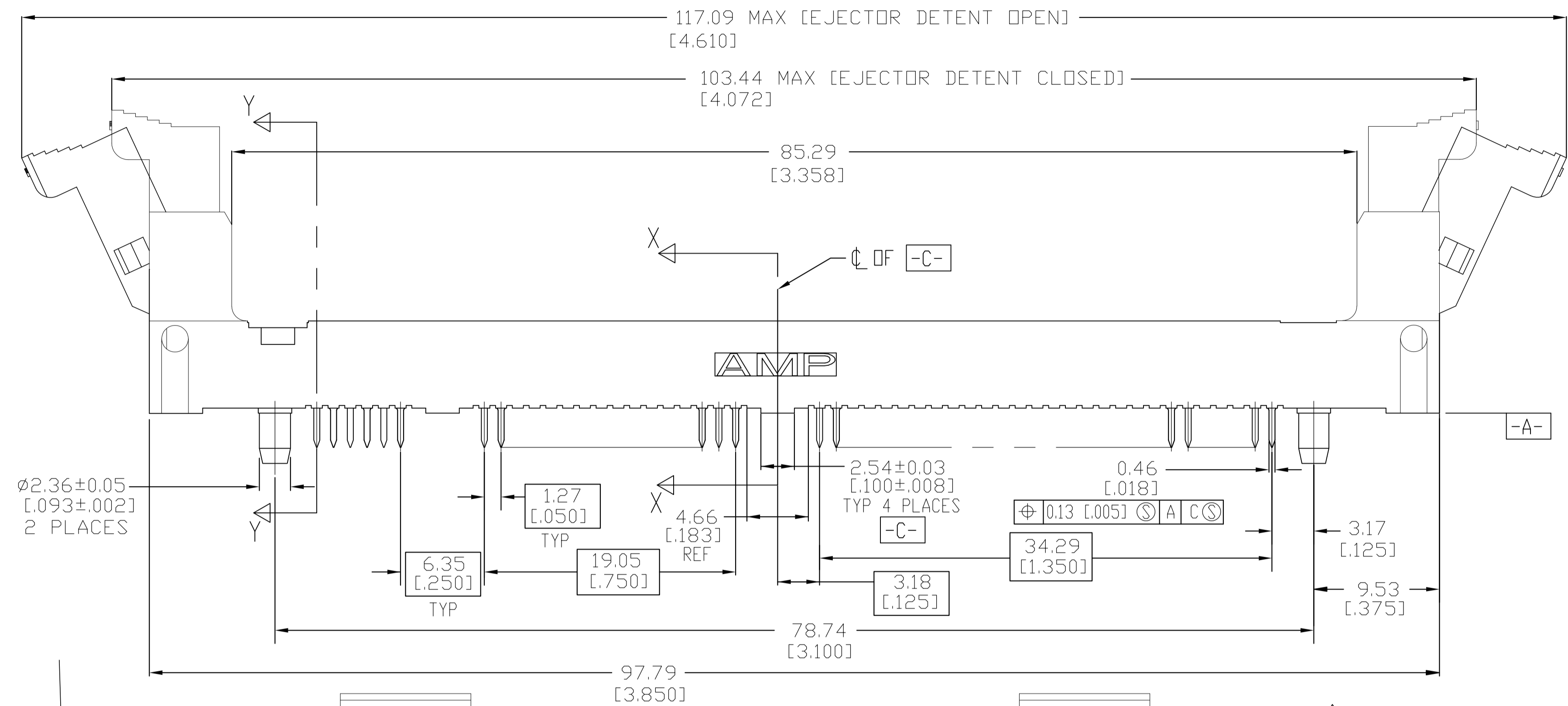
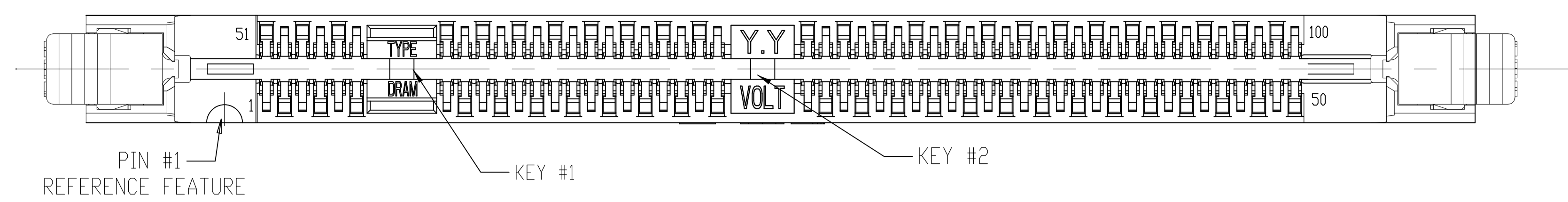


LOC		DIST		REVISIONS			
GP	0	REV	DATE	BY	CHK	APPV	
		0	09FEB04	JB	DS		
		01	12JAN10	KK	AEG		

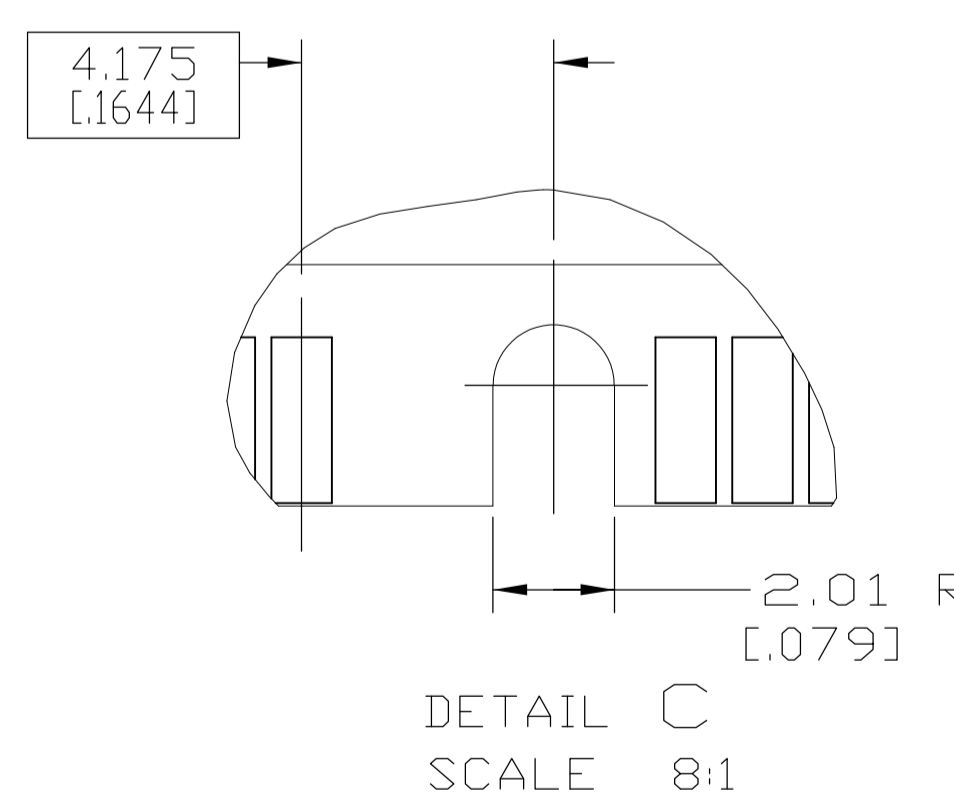
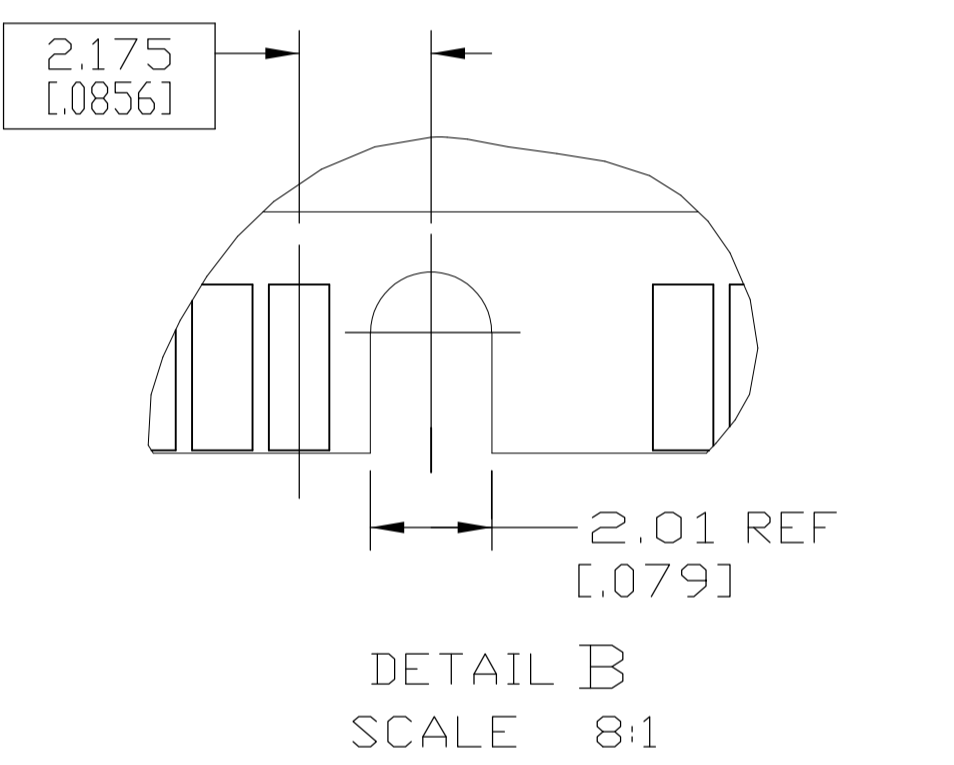
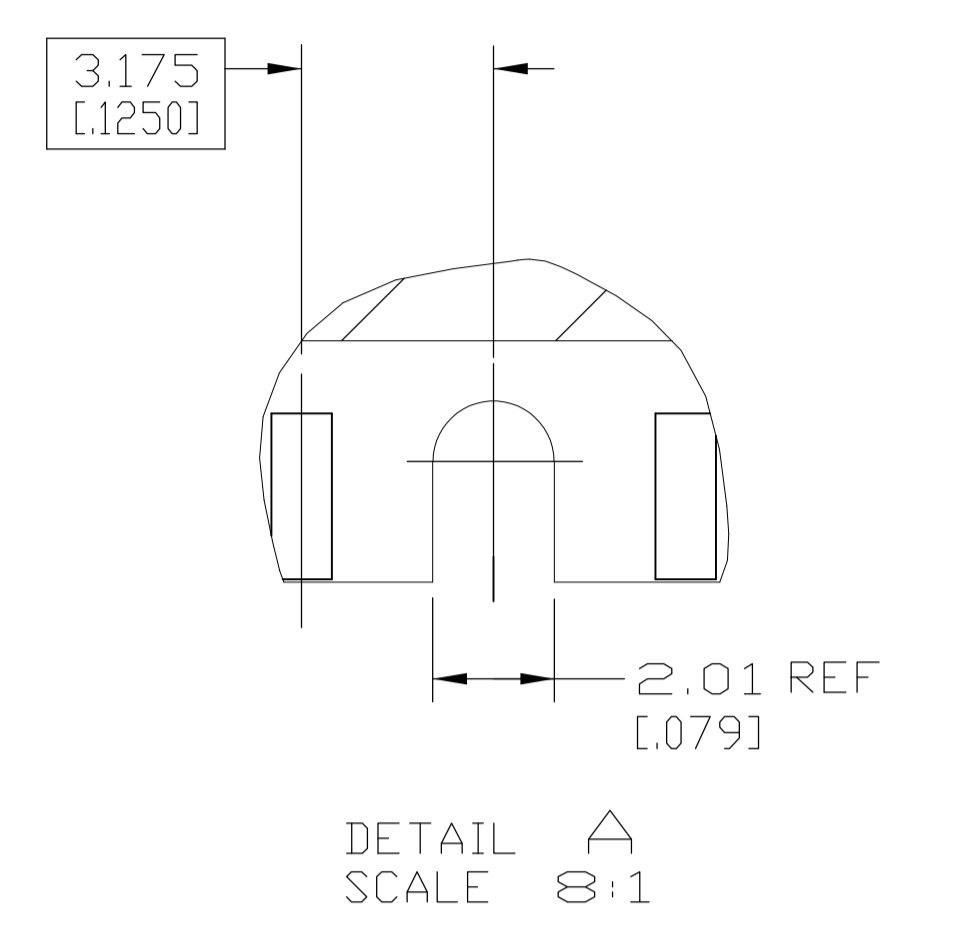
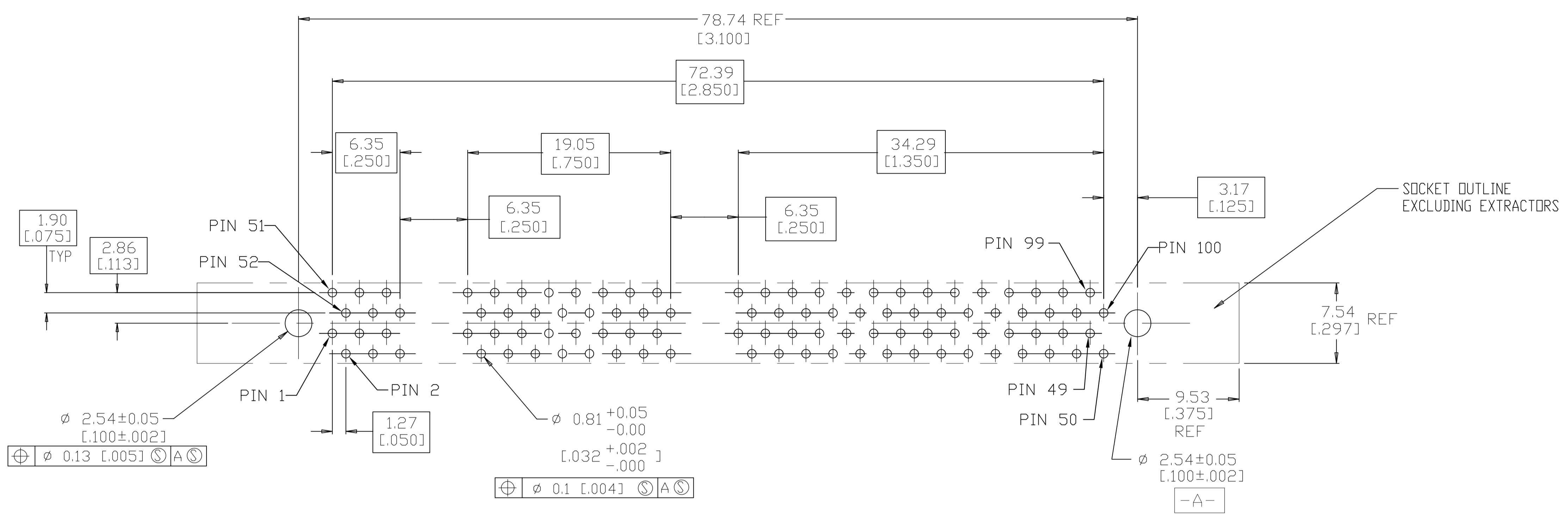


- 1 MATERIAL
HOUSING: GLASS FILLED HIGH TEMPERATURE NYLON, COLOR: BLACK.
EXTRACTORS: GLASS FILLED HIGH TEMPERATURE NYLON, COLOR: NATURAL (OFF-WHITE).
CONTACT: PHOS. BRONZE, C51100, TEMPER H06.
- 2 FINISH
CONTACT:
NICKEL PLATE ALL OVER 0.00127mm - 0.0019mm [0.00050 IN - 0.00075 IN] THICK.
PER AMP SPEC 112-25-2.
GOLD PLATE IN INTERFACE AREA 0.00038mm [0.00015 IN] THICK.
PER AMP SPEC 112-162-5.
LEAD-FREE MATTE TIN PLATE IN SOLDER TAIL AREA 0.00381mm - 0.00635mm [0.00150 IN - 0.00250 IN] THICK PER AMP SPEC 112-65-1.
- 3 CONTACT FINISH: GOLD PLATE IN INTERFACE AREA 0.00076mm [0.00030 IN] THICK PER AMP SPEC 112-162-5. NICKEL UNDERPLATE WILL BE THE SAME AS IN NOTE 2.
- 4 OBSOLETE PARTS: OBSOLETE CIS STREAMLINING PER D.RENAUD/D.SINISI

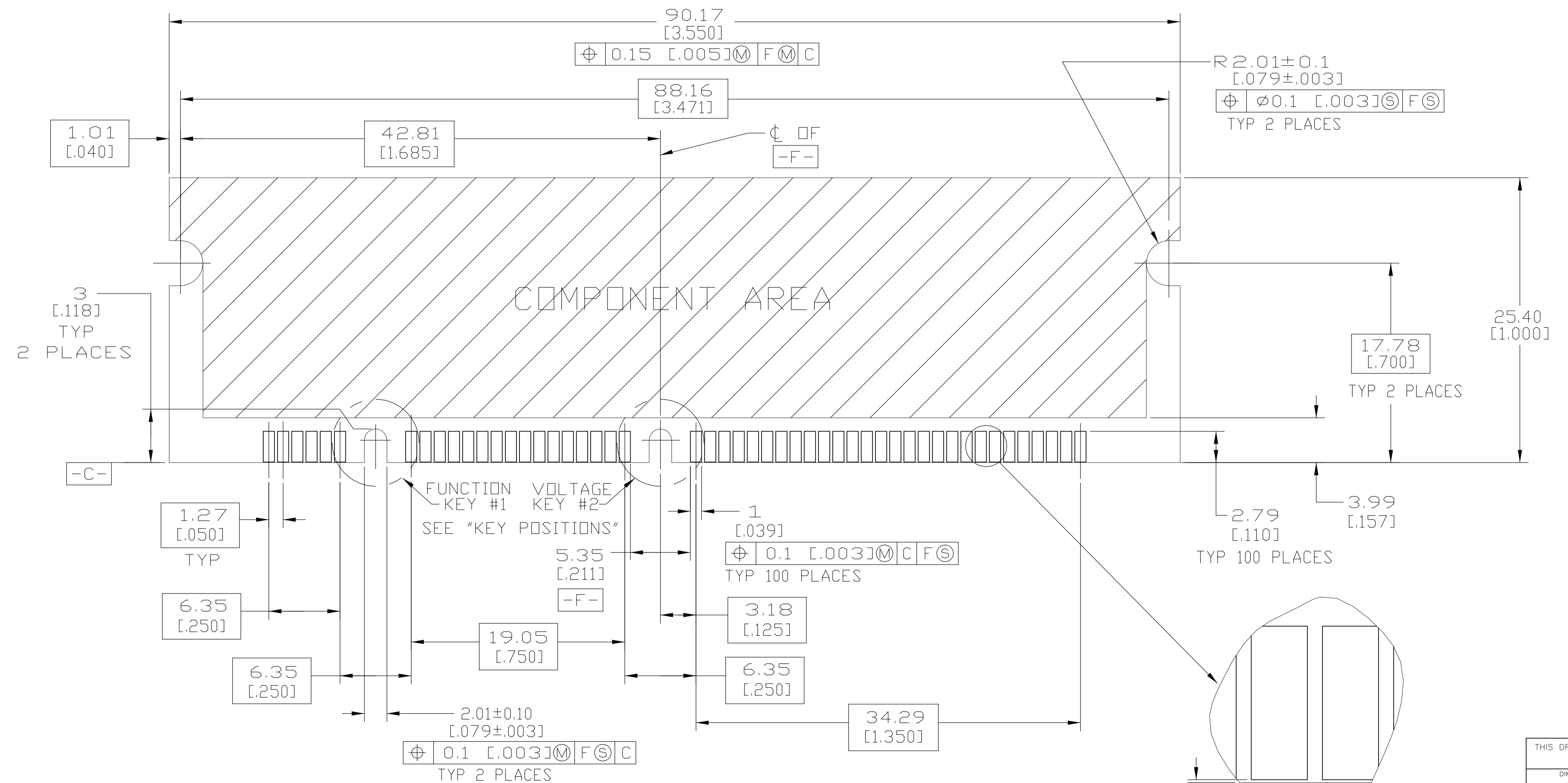
FUNCTION KEY #1	VOLTAGE KEY #2	DESCRIPTION	PART NUMBER
DETAIL-C	DETAIL-C	NON-BUFFERED DRAM, 2.5 VOLT, PRE-PLATED CONTACTS	390484-3
DETAIL-C	DETAIL-A	NON-BUFFERED DRAM, 3.3 VOLT, PRE-PLATED CONTACTS	390484-2
DETAIL-C	DETAIL-A	NON-BUFFERED DRAM, 3.3 VOLT, PRE-PLATED CONTACTS	390484-1

THIS DRAWING IS A CONTROLLED DOCUMENT.

DIMENSIONS: mm [INCHES]	TOLERANCES UNLESS OTHERWISE SPECIFIED:	DIN J.BURWELL 09FEB04	Tyco Electronics Corporation Harrisburg, Pa 17105-3608
0. PLC ± -	1. PLC ± -	CHK D.SHIRLING 09FEB04	APVD
2. PLC ± 0.13 [0.005]	3. PLC ± -	NAME	SOCKET ASSEMBLY, DIMM2P LOW INSERTION FORCE, 100 POSN LEAD-FREE
4. PLC ± -	ANGLES ± -	PRODUCT SPEC	
MATERIAL 1	FINISH 2	APPLICATION SPEC	
WEIGHT	SCALE 1:1	SIZE CASE CODE DRAWING NO	RESTRICTED TO
CUSTOMER DRAWING	SHEET 1 OF 2	A1 00779 C=390484	
	REV 01		



"KEY POSITIONS"



RECOMMENDED MODULE LAYOUT
 SEE JEDEC SPEC. MD-161 FOR COMPLETE MODULE DETAILS,
 1.27 \pm 0.10 [0.050 \pm 0.004] THICK ACROSS PADS

THIS DRAWING IS A CONTROLLED DOCUMENT.		DWG: J.BURWELL 09FEB04	Tyco Electronics Corporation Harrisburg, Pa 17105-3608	
DIMENSIONS: mm [INCHES]		CHK: D.SHIRLING 09FEB04	Tyco Electronics	
TOLERANCES UNLESS OTHERWISE SPECIFIED:		NAME: SOCKET ASSEMBLY, DIMM2P LOW INSERTION FORCE, 100 POSN LEAD-FREE		
0. PLC	\pm -	PRODUCT SPEC		
1. PLC	\pm -	APPLICATION SPEC		
2. PLC	\pm 0.13 [0.005]	SIZE: A1		
3. PLC	\pm -	CASE CODE: 00779		
4. PLC	\pm -	DRAWING NO: 390484		
ANGLES	\pm -	RESTRICTED TO		
MATERIAL	-	WEIGHT		
FINISH	-	CUSTOMER DRAWING		
		SCALE: 1:1		SHEET 2 OF 2
				REV 01