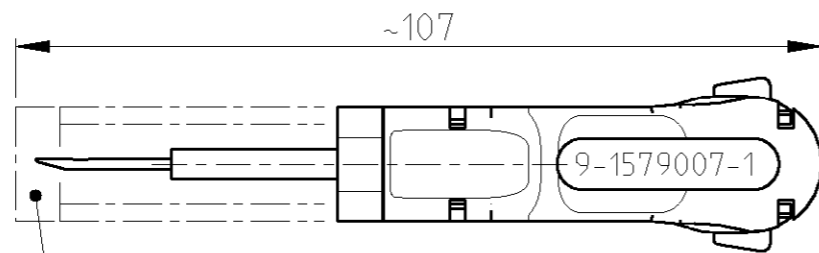
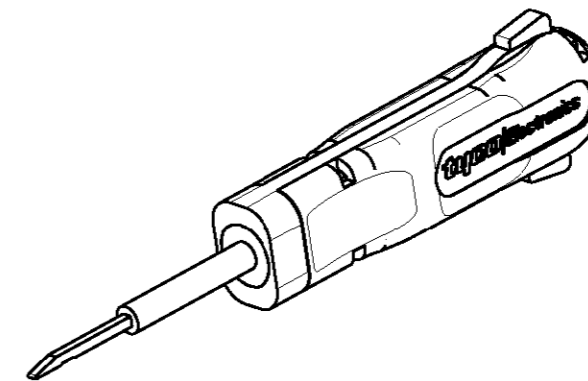
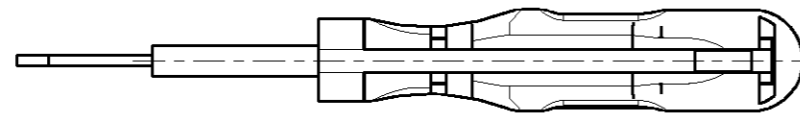
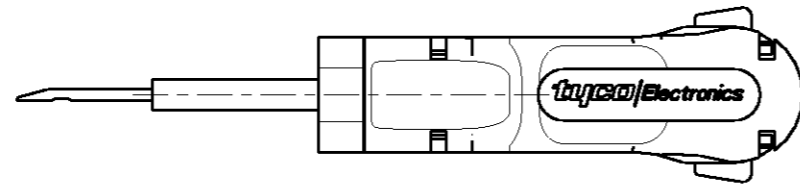


THIS DRAWING IS UNPUBLISHED. RELEASED FOR PUBLICATION 2005  
 © COPYRIGHT 2005 BY TYCO ELECTRONICS CORPORATION. ALL RIGHTS RESERVED.

LOC	DIST	REVISIONS					
		P	LTR	DESCRIPTION	DATE	DWN	APVD
A1	-		A	-	10 JAN 2006	-	-



COVER SLIDE  
Schutzschieber

FOR CONTACTS :  
AMP MULTILOCK .070 Connectors Series

( REPLACEMENT FOR TOOL 784980-1 )

<small>THIS DRAWING IS A CONTROLLED DOCUMENT FOR TYCO ELECTRONICS CORPORATION IT IS SUBJECT TO CHANGE AND THE CONTROLLING ENGINEERING ORGANIZATION SHOULD BE CONTACTED FOR THE LATEST REVISION.</small>		DWN	10 JAN 2006		tyco Electronics AMP GmbH D - 64625 Bensheim			
DIMENSIONS:		CHK	-					
mm		APVD	-		NAME EXTRACTION TOOL Entriegelungswerkzeug			
		PRODUCT SPEC	-					
TOLERANCES UNLESS OTHERWISE SPECIFIED:		APPLICATION SPEC	-		SIZE	CAGE CODE	DRAWING NO	RESTRICTED TO
0 PLC	±	WEIGHT	-		A3	00779	9-1579007-1	-
1 PLC	±	CUSTOMER DRAWING		SCALE	1:1	SHEET	1 OF 1	REV
2 PLC	±							A
3 PLC	±							
4 PLC	±							
ANGLES	±1°							
MATERIAL	FINISH							