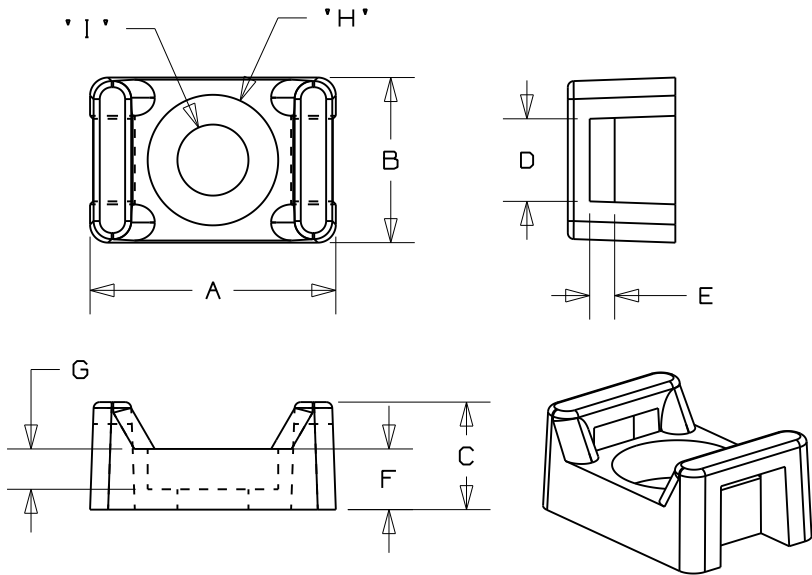


THIS COPY IS PROVIDED ON A RESTRICTED BASIS AND IS NOT TO BE USED IN ANY WAY DETRIMENTAL TO THE INTERESTS OF PANDUIT CORP.

PANDUIT PART #	RECOMMENDED FASTENER	A	B	C	D +.015 (+.38) -.005 (-.13)	E	F	G (REF)	H (REF)	I (REF)	USE WITH CABLE TIE CROSS SECTIONS	WEIGHT 100 pcs lbs (g)
TM2S8-76	#8 (M4) SCREW	.630 (16.0)	.425 (10.8)	.275 (7.0)	.215 (5.5)	.060 (1.5)	.155 (3.9)	.105 (2.7)	.325 (8.3)	.175 (4.4)	MINIATURE INTERMEDIATE STANDARD	.16 (73)
TM3S8-76		.855 (21.7)	.610 (15.5)	.375 (9.5)	.320 (8.1)	.089 (2.3)	.205 (5.2)	.110 (2.8)	.325 (8.3)	.175 (4.4)	STANDARD LIGHT HEAVY	.54 (245)
TM3S10-76	#10 (M5) SCREW	.855 (21.7)	.610 (15.5)	.375 (9.5)	.320 (8.1)	.089 (2.3)	.205 (5.2)	.110 (2.8)	.385 (9.8)	.193 (4.9)		



NOTES:

1. SEE CURRENT PRICE SHEET FOR PART NUMBER SUFFIX DESIGNATION FOR PACKAGE SIZE.
2. COUNTERBORE HOLE TO PROVIDE LESS OF AN OBSTRUCTION TO THE BUNDLE.
3. UNIQUE CRADLE DESIGN PROVIDES MAXIMUM STABILITY AND RIGIDITY TO THE WIRE BUNDLE.
4. TEFLON OFFERS A RESISTANCE TO ENVIRONMENTAL STRESSES SUCH AS CHEMICAL ATTACK, GAMMA RADIATION, ULTRAVIOLET RADIATION AND EXTREME TEMPERATURES.
5. TEFLON HAS A UL FLAMMABILITY RATING OF UL94V-0.

DIMENSIONS IN PARENTHESIS ARE IN METRIC UNITS

CAD FILENAME/LAYERS W10001CR/04-SS-27262

PANDUIT CORP. TINLEY PARK, ILLINOIS

TM2, TM3 TIE MOUNTS
ELEVATED TEMPERATURE SERIES

UNLESS OTHERWISE SPECIFIED,
DIMENSIONAL TOLERANCES ARE:
(.X) ± .1(2.5)(.XXX) ± .020(.51)
(.XX) ± .02(.5) ANGLES ± 5°

UNLESS OTHERWISE SPECIFIED,
ALL DIMENSIONS ARE GIVEN
IN INCHES, THIRD ANGLE PROJECTION.

DRAWN BY
BSH

MAT'L:

SCALE
NONE

DATE
5/19/00

TEFZEL
FLUOROPOLYMER
COLOR: -76/AQUA BLUE

DRAWING NO.

DWG

CHK'D
HVP

REG. T.M.
OF E.I. DuPont
De Nemours Co.

SS-27262

SIZE
A

REV	DATE	BY	CHK	DESCRIPTION	ECN	R	CUST	SUP
4	9/10/08	ERW		UPDATED DIMENSION 'H'. SEE ECN FOR DETAILS.	SS-27262	4		