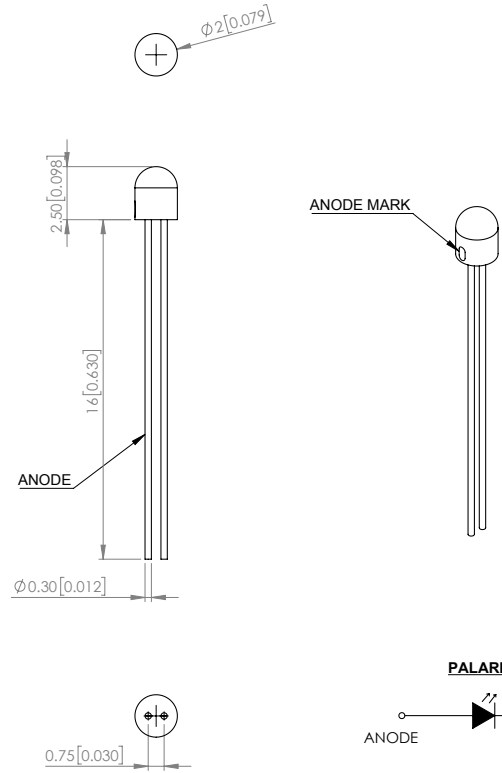


PART NUMBER	SSL-LX203CSYT	REV	D
DATE	ECN NUMBER	REV	
05.13.04	E.C.N. # 11126		A
12.27.04	E.C.N. # 11202		B
07.26.11	E.C.N. # 10BRDR & REDRAWN		C
09.12.17	ECN-Lumex201700071		D



ELECTRO-OPTICAL CHARACTERISTIC TA=25°C

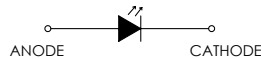
PARAMETER	MIN	TYP	MAX	UNITS	TEST COND
PEAK WAVELENGTH	-	590	-	-	If=20mA
FORWARD VOLTAGE	-	2.1	2.5	Vf	If=20mA
REVERSE VOLTAGE	-	-	5	Vf	Ir=10uA
LUMINOUS INTENSITY	-	340	-	mcd	If=20mA
VIEWING ANGLE	-	140	-	2x theta1/2	If=20mA
EMITTED COLOR	YELLOW				
EPOXY LENS FINISH	WATER CLEAR				

ABSOLUTE MAXIMUM RATINGS TA=25°C

PARAMETER	MAX	UNITS
STEADY CURRENT	25	mA
POWER DISIPATION	62.5	mW
STORAGE TEMPERATURE	-40 to +85	°C
OPERATING TEMPERATURE	-40 to +100	°C
SOLDERING TEMPERATURE	3sec MAX @ 260	°C

*t<10us

PALARITY



NOTES:

1. ANODE MARK IS INDICATED BY A SMALL MARKING ON THE SIDE OF THE CERAMIC SURFACE. RED MARK INDICATES ANODE.
2. WHITE CERAMIC BASE STEM.

*UNLESS OTHERWISE SPECIFIED TOLERANCES PER DECIMAL PRECISION ARE: X=±1 (±0.039), X.X=±0.5 (±0.020), X.XX=±0.25 (±0.010), X.XXX=±0.127 (±0.005). LEAD SIZE=±0.05 (±0.002), LEAD LENGTH=±0.75 (±0.030), MIN= ^{+0.00}DECIMAL PRECISION _{-0.00} MAX. = ^{+0.00}DECIMAL PRECISION



N. GARY AVE.
CAROL STREAM, IL 60188
PHONE : 800-278-5666
FAX : 830-315-2150
WEB : WWW.LUMEX.COM425

T-2 CREAMIC STEM LED, 590nm YELLOW LED, YELLOW TRANSPARENT LENS

"THE SPECIFICATIONS MAY CHANGE AT ANY TIME WITHOUT NOTICE DUE TO NEW MATERIALS OR PRODUCT IMPROVEMENT."

CONFIDENTIAL INFORMATION

THE INFORMATION CONTAINED IN THIS DOCUMENT IS THE PROPERTY OF LUMEX INC. EXCEPT AS SPECIFICALLY AUTHORIZED IN WRITING BY LUMEX INC., THE HOLDER OF THIS DOCUMENT SHALL KEEP ALL INFORMATION CONTAINED HEREIN CONFIDENTIAL AND SHALL PROTECT SAME IN WHOLE OR IN PART FROM DISCLOSURE AND DISSEMINATION TO ALL THIRD PARTIES.

DATE : 2017.09.12	DRAWN BY : E.C.
PAGE : 1 OF 1	CHKD BY : G.Y.
SCALE : NTF	APRVD BY : R.C.
UNIT : mm [INCH]	(R)