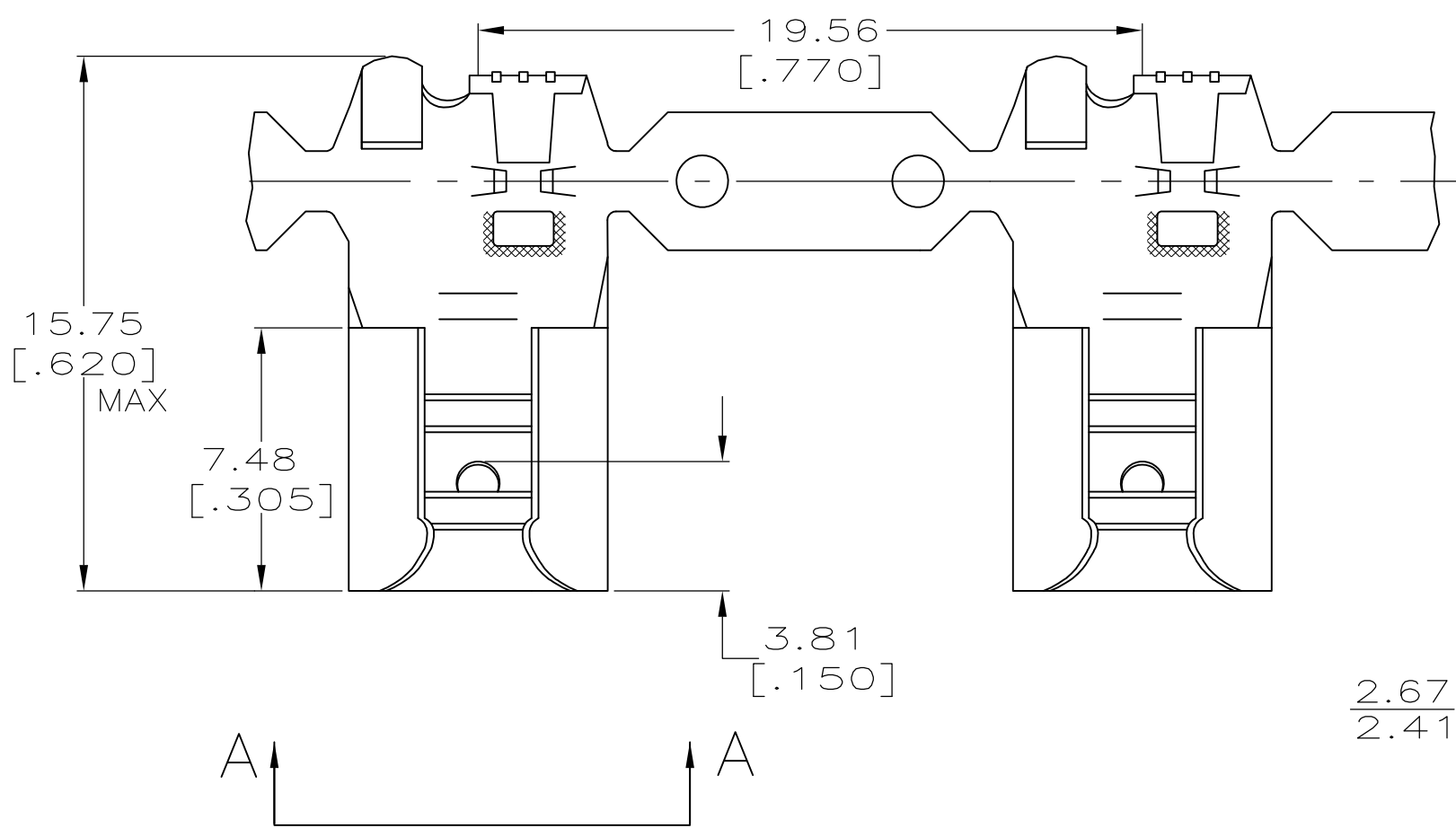
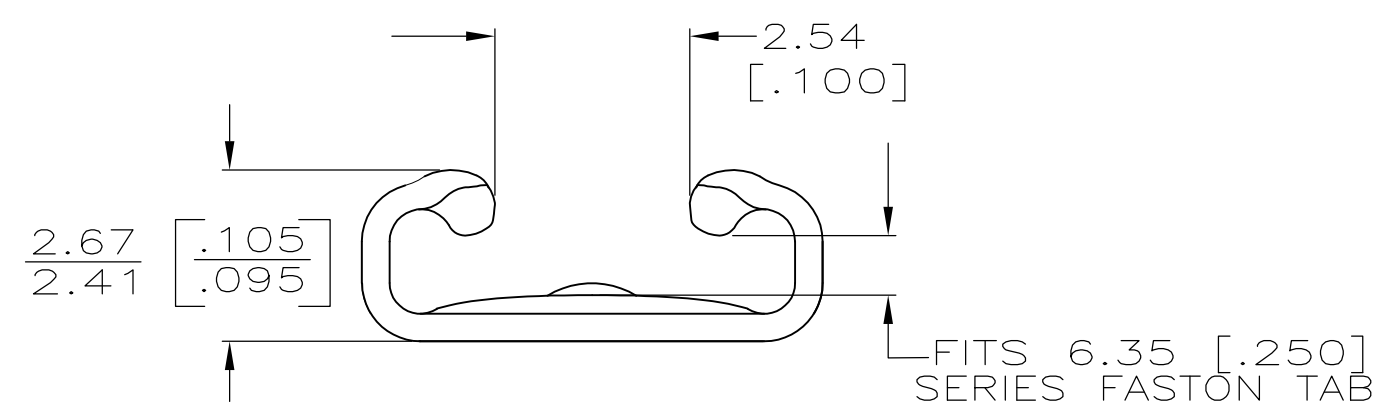


THIS DRAWING IS UNPUBLISHED. RELEASED FOR PUBLICATION  
 © COPYRIGHT - By - ALL RIGHTS RESERVED.

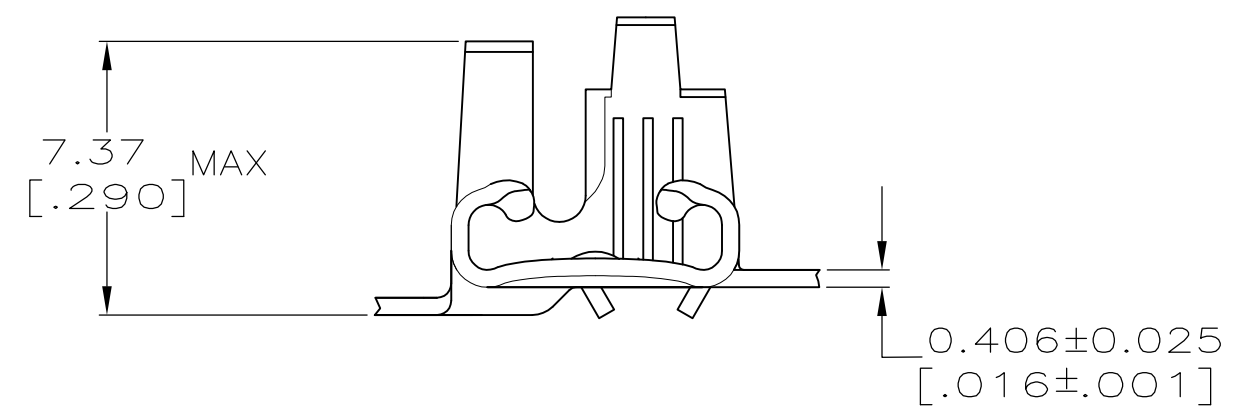
LOC	DIST	REVISIONS					
AF	50	P	LTR	DESCRIPTION	DATE	DWN	APVD
		G		REVISED PER ECR-12-013518	23NOV2012	KH	PD



1 CONTINUOUS STRIP ON REELS



VIEW A-A  
SCALE 8:1



1.78-3.30 [.070-.130]	0.3mm <sup>2</sup> -1.3mm <sup>2</sup> [22-16] AWG	0.0813±0.025 [.032±.001]	63577-1
INSULATION RANGE	WIRE RANGE	TAB THK	PART NO

THIS DRAWING IS A CONTROLLED DOCUMENT.		DWN P FORTNEY 5/25/90	TE Connectivity RECEPTACLE, FASTON, 6.35 [.250] SERIES FLAG	
DIMENSIONS: mm [INCHES]		CHK JR RUTH 5/25/90		
TOLERANCES UNLESS OTHERWISE SPECIFIED:		APVD C MEYERS 5/25/90		
0 PLC ± - 1 PLC ± - 2 PLC ± 0.25 [.010] 3 PLC ± 0.25 [.010] 4 PLC ± - ANGLES ± -		PRODUCT SPEC -	NAME	
MATERIAL BRASS		FINISH -	APPLICATION SPEC -	RESTRICTED TO -
		WEIGHT -	SIZE A3	CAGE CODE 00779
		CUSTOMER DRAWING	DRAWING NO C-63577	RESTRICTED TO -
			SCALE 5:1	SHEET 1 OF 1
				REV G