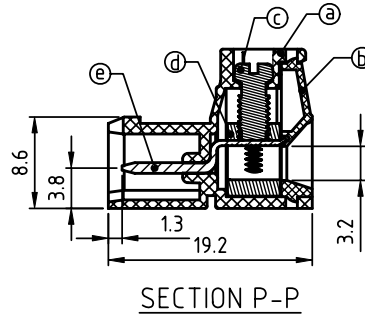
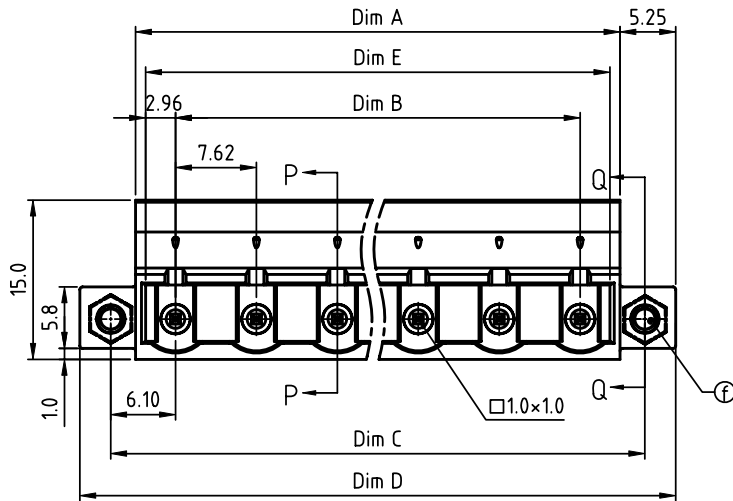
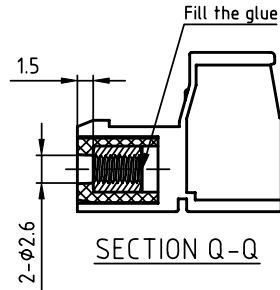
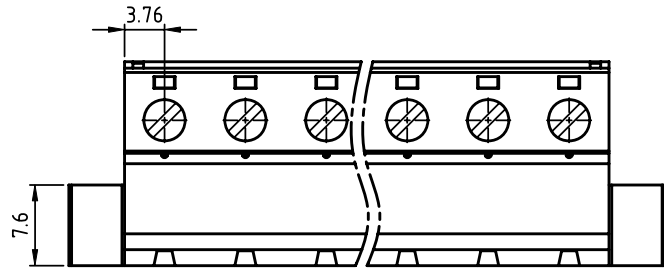


PRODUCT NUMBER	PITCH
V8xx01x100J0G	7.62 mm



Material:

- Item ① Terminal (housing): Thermoplastic (UL94V-0)
- Item ② Terminal (Cover): Thermoplastic (UL94V-0)
- Item ③ Terminal screw: Steel Zinc plating "-" slot type
- Item ④ Clamp: Brass (CuZn) nickel plating
- Item ⑤ Pin: Copper, Tin plated
- Item ⑥ Flange nut: Brass, M2.5

Electrical cULus

- Voltage rating: 300VAC
- Current rating: 20A
- Wire range:
- Solid wire (AWG): 12-24
- Stranded wire (AWG): 12-24
- Torque: 4Lb-In
- Screw: M3
- Wire strip length: 7-8mm
- Withstanding Voltage: 1.6KV
- Operating temperature: -40°C to +115°C
- Safety Approval:

DIMENSION

Dim A	(N-1)X7.62+7.52
Dim B	(N-1)X7.62
Dim C	(N-1)X7.62+12.2
Dim D	(N-1)X7.62+18.02
Dim E	(N-1)X7.62+5.92

N = Number of poles

Poles	Dim A	Dim B	Dim C	Dim D	Dim E
2p-4p	±0.15	±0.15	±0.15	±0.15	+0.15 0
5p-8p	±0.25	±0.25	±0.25	±0.25	+0.25 0
9p-12p	±0.30	±0.30	±0.30	±0.30	+0.30 0
13p-16p	±0.40	±0.40	±0.40	±0.40	+0.40 0

PART NO.: V8 xx 01 x 1 00J0 G

Solid block	0	Color	RoHS compliant
No. of poles	2	Black (RAL9005)	(lead<4%)
02 2 poles	3	Red (RAL3001/D)	In copper Alloy
03 3 poles	4	Orange (RAL2011/P)	
...	5	Yellow (RAL1018/A)	
...	6	Green (RAL6018/T)	
16 16 poles	7	Blue (RAL5015/A)	
	8	Grey (RAL7035/D)	
	9	White (RAL1102)	
	C	Green (RAL6018/U)	

mat'l. code				surface ASME Y14.5	tolerance ASME Y14.5	projection	product family
ltr	ecn no	dr	date	tolerances unless otherwise specified			TERMINAL BLOCK
				angles	X.±0.5	MM	title
				±	X.X±0.3		TERMINAL BLOCK
				X*±1"	X.XX±0.1	scale	PLUGGABLE PLUG, FLANGE WITH NUT
		dr	EVIN ZHONG	050514			dwg no
		enr	EVIN ZHONG	050514			sheet 1 of 1
		chr	HANKE FENG	050514			size
		appd	SHI JUN	050514			A4
sheet index	revision	A					type
	sheet	1					CUSTOMER Drawing