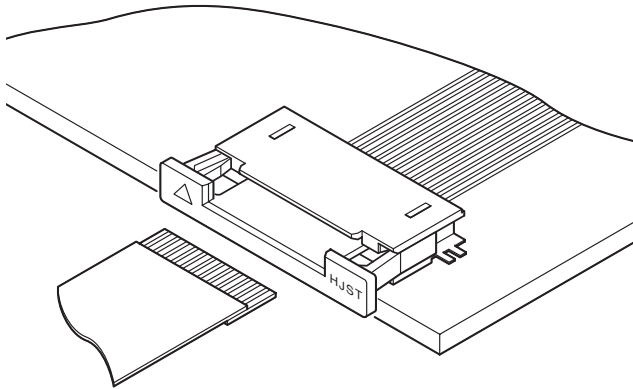




FLZ CONNECTOR

0.5mm pitch/Connectors for FFC and FPC



This extremely small 0.5mm pitch connector with a height of only 2.0mm above the PCB surface allows interconnection in extremely small spaces and is an example of JST's leading edge technology.

- Zero insertion force mechanism
- Heat resisting design suitable for surface mounting
- In-line surface mount tails
- Two types of connections
- Embossed tape for automatic mounting

Specifications

- Current rating: 0.5A AC, DC
- Voltage rating: 50V AC, DC
- Temperature range: -25°C to +85°C
(including temperature rise in applying electrical current)
- Contact resistance: Initial value/40m Ω max.
After environmental testing/60m Ω max.
- Insulation resistance: 800M Ω min.
- Withstanding voltage: 200V AC/minute
- Applicable FFC and FPC: Conductor pitch/0.5mm
Conductor width/0.35mm
Mating part thickness/0.3±0.03mm

Note: FFC and FPC to be actually used should be checked for applicability.

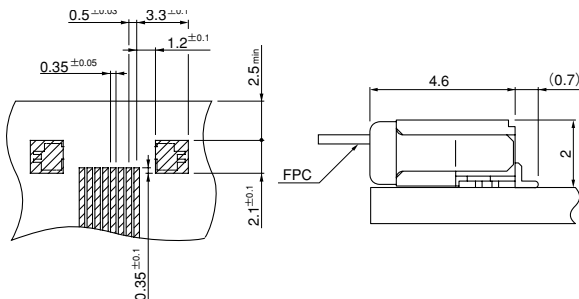
- * Compliant with RoHS.
- * Refer to "General Instruction and Notice when using Terminals and Connectors" at the end of this catalog.
- * Contact JST for details.

Standards

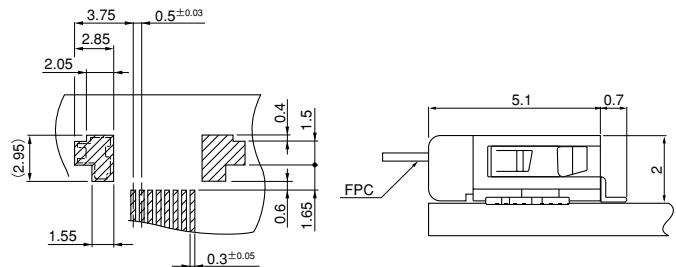
Ⓜ Recognized E60389

Ⓢ Certified LR20812

PC board layout (viewed from component side) and Assembly layout



Inner lock type

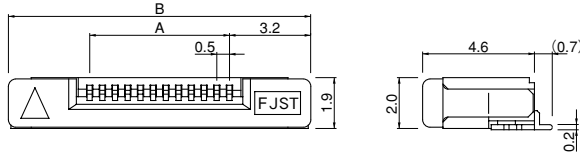


Note: 1. Tolerances are non-cumulative: ±0.03mm for all centers.
2. The dimensions above should serve as a guideline. Contact JST for details.

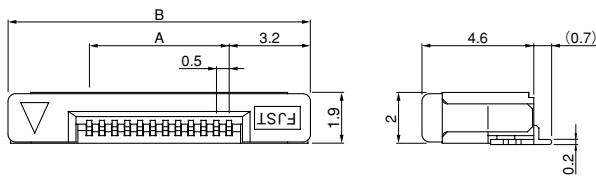
FLZ CONNECTOR

Connector

Normal type

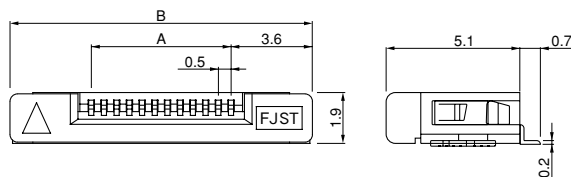


Reverse type

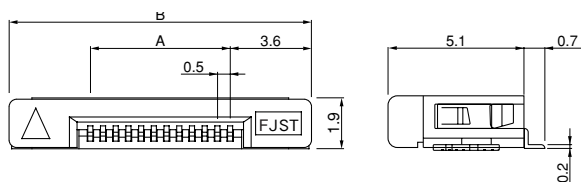


<Inner lock type>

Normal type



Reverse type



| Circuits | Model No. | | Dimensions (mm) | | Q'ty / reel |
|----------|--------------|---------------|-----------------|------|-------------|
| | Normal type | Reverse type | A | B | |
| 6 | 06FLZ-SM2-TB | 06FLZ-RSM2-TB | 2.5 | 8.9 | 2,000 |
| 7 | 07FLZ-SM2-TB | 07FLZ-RSM2-TB | 3.0 | 9.4 | 2,000 |
| 8 | 08FLZ-SM2-TB | 08FLZ-RSM2-TB | 3.5 | 9.9 | 2,000 |
| 9 | 09FLZ-SM2-TB | 09FLZ-RSM2-TB | 4.0 | 10.4 | 2,000 |
| 10 | 10FLZ-SM2-TB | 10FLZ-RSM2-TB | 4.5 | 10.9 | 2,000 |
| 11 | 11FLZ-SM2-TB | 11FLZ-RSM2-TB | 5.0 | 11.4 | 2,000 |
| 12 | 12FLZ-SM2-TB | 12FLZ-RSM2-TB | 5.5 | 11.9 | 2,000 |
| 13 | 13FLZ-SM2-TB | 13FLZ-RSM2-TB | 6.0 | 12.4 | 2,000 |
| 14 | 14FLZ-SM2-TB | 14FLZ-RSM2-TB | 6.5 | 12.9 | 2,000 |
| 15 | 15FLZ-SM2-TB | 15FLZ-RSM2-TB | 7.0 | 13.4 | 2,000 |
| 16 | 16FLZ-SM2-TB | 16FLZ-RSM2-TB | 7.5 | 13.9 | 2,000 |
| 17 | 17FLZ-SM2-TB | 17FLZ-RSM2-TB | 8.0 | 14.4 | 2,000 |
| 18 | 18FLZ-SM2-TB | 18FLZ-RSM2-TB | 8.5 | 14.9 | 2,000 |
| 19 | 19FLZ-SM2-TB | 19FLZ-RSM2-TB | 9.0 | 15.4 | 2,000 |
| 20 | 20FLZ-SM2-TB | 20FLZ-RSM2-TB | 9.5 | 15.9 | 2,000 |
| 21 | 21FLZ-SM2-TB | 21FLZ-RSM2-TB | 10.0 | 16.4 | 2,000 |
| 22 | 22FLZ-SM2-TB | 22FLZ-RSM2-TB | 10.5 | 16.9 | 2,000 |
| 23 | 23FLZ-SM2-TB | 23FLZ-RSM2-TB | 11.0 | 17.4 | 2,000 |
| 24 | 24FLZ-SM2-TB | 24FLZ-RSM2-TB | 11.5 | 17.9 | 2,000 |
| 25 | 25FLZ-SM2-TB | 25FLZ-RSM2-TB | 12.0 | 18.4 | 2,000 |
| 26 | 26FLZ-SM2-TB | 26FLZ-RSM2-TB | 12.5 | 18.9 | 2,000 |
| 27 | 27FLZ-SM2-TB | 27FLZ-RSM2-TB | 13.0 | 19.4 | 2,000 |
| 28 | 28FLZ-SM2-TB | 28FLZ-RSM2-TB | 13.5 | 19.9 | 2,000 |
| 30 | 30FLZ-SM2-TB | 30FLZ-RSM2-TB | 14.5 | 20.9 | 2,000 |
| 33 | 33FLZ-SM2-TB | — | 16.0 | 22.4 | 2,000 |

<Inner lock type>

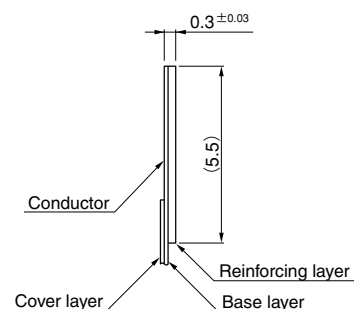
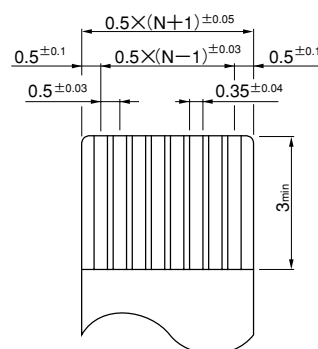
| Circuits | Model No. | | Dimensions (mm) | | Q'ty / reel |
|----------|----------------|-----------------|-----------------|------|-------------|
| | Normal type | Reverse type | A | B | |
| 13 | — | 13FLZ-RSM2-R-TB | 6.0 | 13.1 | 2,000 |
| 30 | 30FLZ-SM2-R-TB | — | 14.5 | 21.6 | 2,000 |
| 32 | 32FLZ-SM2-R-TB | 32FLZ-RSM2-R-TB | 15.5 | 22.6 | 2,000 |
| 34 | 34FLZ-SM2-R-TB | 34FLZ-RSM2-R-TB | 16.5 | 23.6 | 2,000 |
| 36 | 36FLZ-SM2-R-TB | 36FLZ-RSM2-R-TB | 17.5 | 24.6 | 2,000 |
| 40 | 40FLZ-SM2-R-TB | 40FLZ-RSM2-R-TB | 19.5 | 26.6 | 2,000 |
| 42 | 42FLZ-SM2-R-TB | — | 20.5 | 27.6 | 2,000 |
| 45 | 45FLZ-SM2-R-TB | — | 22.0 | 29.1 | 2,000 |
| 50 | 50FLZ-SM2-R-TB | — | 24.5 | 31.6 | 2,000 |

Material and Finish

Contact: Phosphor bronze, copper-undercoated, tin-plated (reflow treatment)
 Slider housing: PA 6T, UL94V-0 (black)
 Housing: PA 6T, UL94V-0
 Normal type...gray
 Reverse type...natural
 Solder tab: Phosphor bronze, copper-undercoated, tin-plated (reflow treatment)

RoHS compliance This product displays (LF)(SN) on a label.
 Note: The products listed above are supplied on embossed tape.

Lead section dimensions of FFC and FPC



Note: N --- Number of circuits