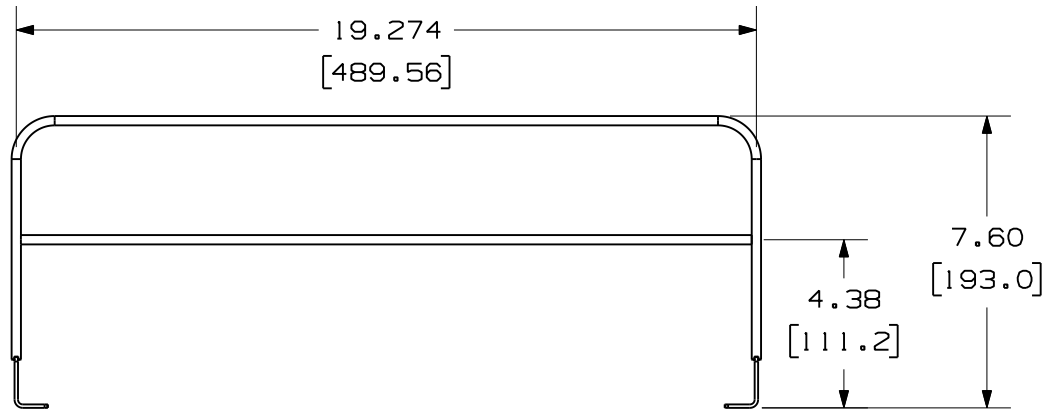


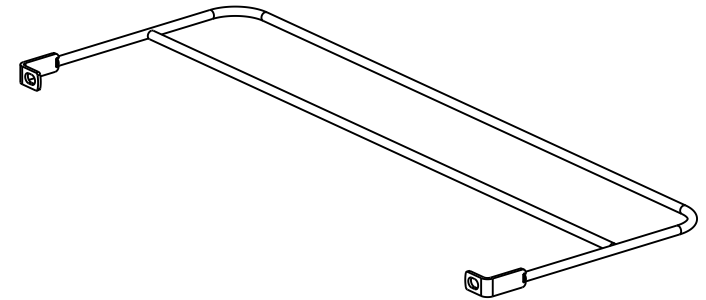
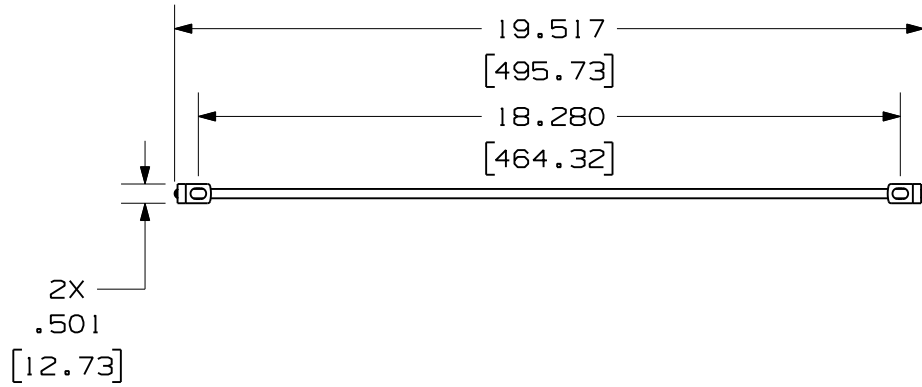
THIS COPY IS PROVIDED ON A RESTRICTED BASIS AND IS NOT TO BE USED IN ANY WAY DETRIMENTAL TO THE INTERESTS OF PANDUIT CORP.



PANDUIT P/N	WEIGHT
SRB19D7BL	.71 LB/EACH PC (321.85 g/EACH PC)

NOTES:

1. SEE CURRENT CATALOG FOR ADDITIONAL PART NUMBER SUFFIXES TO INDICATE COLOR AND OR PACKAGE QUANTITY.
2. SEE CATALOG FOR COMPLETE LIST OF PARTS APPLICABLE FOR USE WITH THIS PART.
3. DIMENSIONS IN PARENTHESES ARE IN METRIC.
4. PART INCLUDES:
 - 1- EXTENDED STRAIN RELIEF BAR
 - 1- #12-24 SCREW KIT (INCLUDES 4 SCREWS)
 - 1- M6 SCREW KIT (INCLUDES 4 SCREWS)



MODEL FILENAME	M03137AF/03	SIZE	A
DRAWING FILENAME	M03137AF_DC/03A		

MULTI-DEPTH STRAIN RELIEF BAR
CUSTOMER DRAWING

PANDUIT[®]
TINLEY PARK, IL 60487

I.I. NUMBER N/A

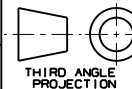
PRODUCT SPEC/ PKG SPEC N/A

ASSY METHOD/ TEST METHOD N/A

SCALE N/A

PART NO.
SRB19D7BL

DRAWING NO.
03137-12



ALL DIMENSIONS ARE GIVEN IN INCHES, UNLESS OTHERWISE SPECIFIED.
DIMENSIONAL TOLERANCES ARE:
(.X) ±.03 (.XXX) ±.005
(.XX) ±.01 ANGLES ± 1°

DRAWN BY
BJN

REVIEW DRAWING NUMBERS

DATE
2-23-11

MAT'L
MATERIAL:
STEEL BAR STOCK

REV	DATE	BY	CHK	DESCRIPTION	ECN	R	CUST	SUP	OTH
R	2-23-11	BJN		RELEASED TO PRODUCTION	03137-12				