

1

2

3

4

5

6

7

A

A

B

B

C

C

D

D

E

E

F

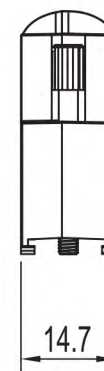
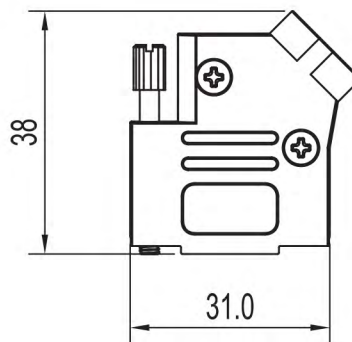
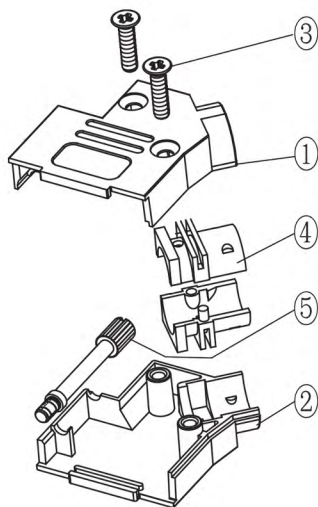
F

G

G

H

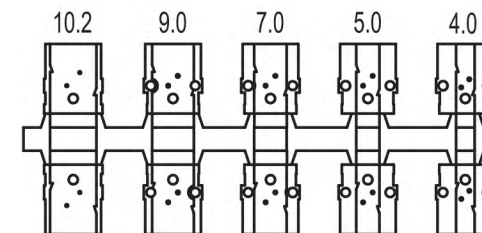
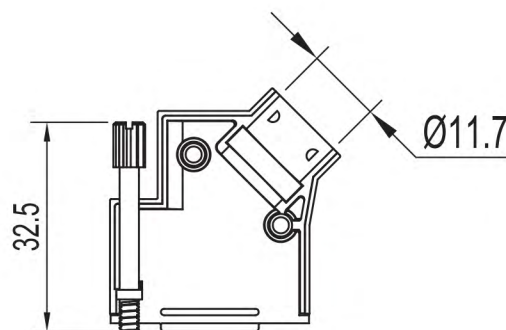
H



### TECHNICAL SPECIFICATIONS

Material: Zinc  
 Surface/Colour: Black  
 Operating Temperature: -40°C to +120°C  
 Thumbscrews: UNC 4-40

No. of contacts: 09-15-25-37



Grommet Set

Item	QTY	Part description
1	1	Upper Cover
2	1	Lower Cover
3	2	M3x12 CSK Screw
4	1	Grommet Set
5	1	Thumbscrew UNC4-40 x 32.5mm

**RoHS compliant**  
 Unit: mm

Scale	Free				Date	Name	Customer-No.	
TOLERANCE					Drawn	17.08.2017	S.Bölling	
0~6	±0.10				Approved	17.08.2017	S.Bölling	
6~30	±0.20							
30~120	±0.30							
120~400	±0.50							
DIM	Tol							
Angle	±1°	©	Drawn	17.08.2017				S.Bölling
Angle	Tol	Id.	Modification	Date				Name
						Drawing-No. <b>ASS_5266_CO</b> rev00 Replace Sheet 1/4		

1

2

3

4

5

6

7

SV4382

1

2

3

4

5

6

7

A

A

B

B

C

C

D

D

E

E

F

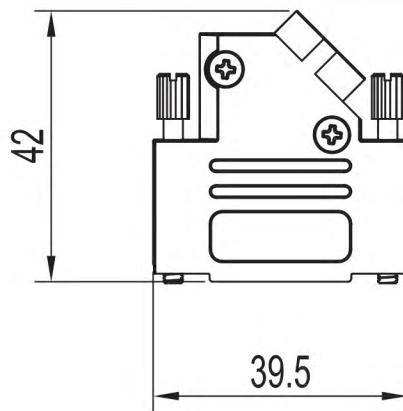
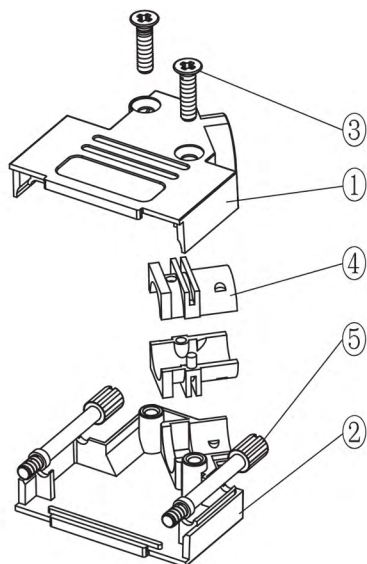
F

G

G

H

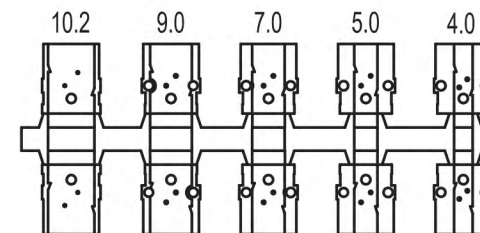
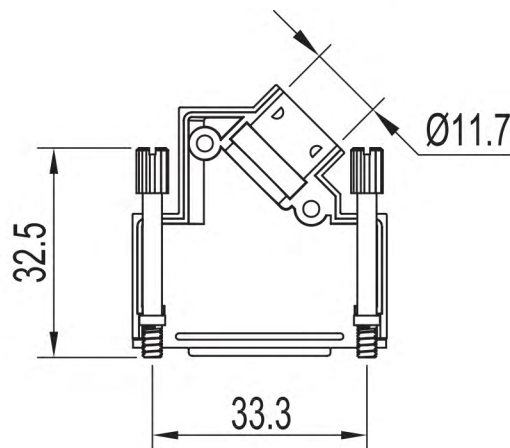
H



### TECHNICAL SPECIFICATIONS

Material: Zinc  
 Surface/Colour: Black  
 Operating Temperature: -40°C to +120°C  
 Thumbscrews: UNC 4-40

No. of contacts: 09-15-25-37



Grommet Set

Item	QTY	Part description
1	1	Upper Cover
2	1	Lower Cover
3	2	M3x12 CSK Screw
4	1	Grommet Set
5	2	Thumbscrews UNC4-40 x 32.5mm

**RoHS compliant**  
 Unit: mm

Scale	Free				Date	Name	Customer-No.	
TOLERANCE					Drawn	17.08.2017	S.Bölling	
0~6	±0.10				Approved	17.08.2017	S.Bölling	
6~30	±0.20							
30~120	±0.30							
120~400	±0.50							
DIM	Tol							
Angle	±1°	Ⓢ	Drawn	17.08.2017				S.Bölling
Angle	Tol	Id.	Modification	Date				Name
						Drawing-No.	ASS_5266_CO	rev00
						Replace		Sheet 2/4

ASSMANN WSW-No.  
 ACOV-SUB-15MB25

Drawing-No.  
 ASS\_5266\_CO

rev00

Replace

Sheet 2/4

1

2

3

4

5

6

7

SV4382

1

2

3

4

5

6

7

A

B

C

D

E

F

G

H

A

B

C

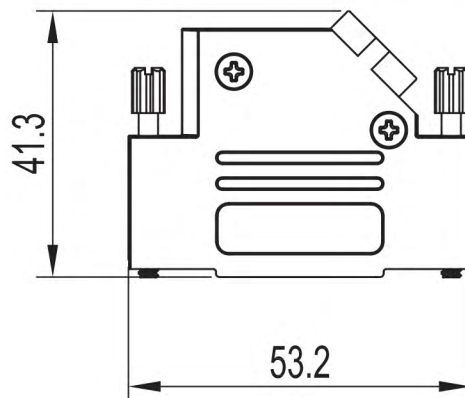
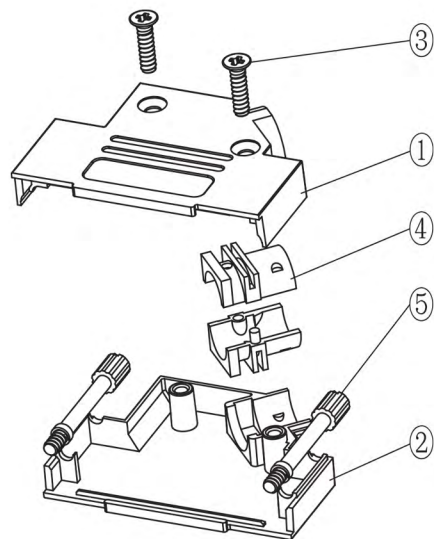
D

E

F

G

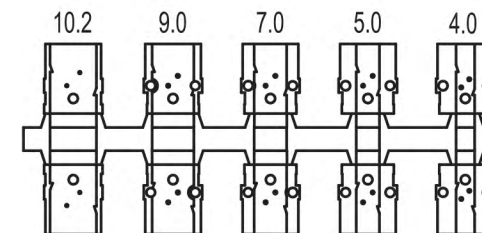
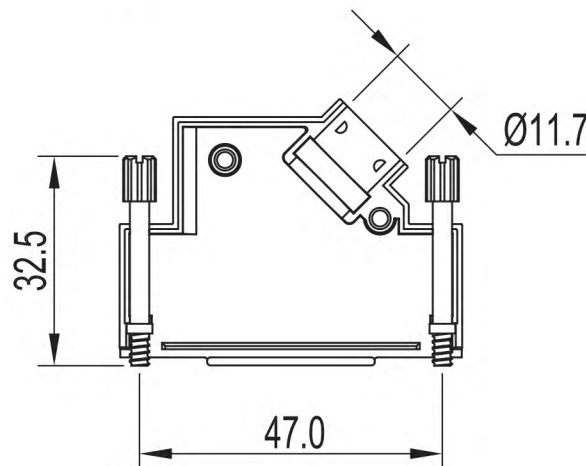
H



### TECHNICAL SPECIFICATIONS

Material: Zinc  
 Surface/Colour: Black  
 Operating Temperature: -40°C to +120°C  
 Thumbscrews: UNC 4-40

No. of contacts: 09-15-25-37



Grommet Set

Item	QTY	Part description
1	1	Upper Cover
2	1	Lower Cover
3	2	M3x12 CSK Screw
4	1	Grommet Set
5	2	Thumbscrews UNC4-40 x 32.5mm

**RoHS compliant**  
 Unit: mm

Scale	Free				Date	Name	Customer-No.
TOLERANCE					Drawn	17.08.2017	S.Bölling
0~6	±0.10				Approved	17.08.2017	S.Bölling
6~30	±0.20						
30~120	±0.30						
120~400	±0.50						
DIM	Tol						
Angle	±1°	© Drawn	17.08.2017	S.Bölling			
Angle	Tol	Id.	Modification	Date			

Customer-No.  
 ASSMANN WSW-No.  
**ACOV-SUB-25MB25**

Drawing-No.  
**ASS\_5266\_CO** rev00  
 Replace  
 Sheet 3/4

1

2

3

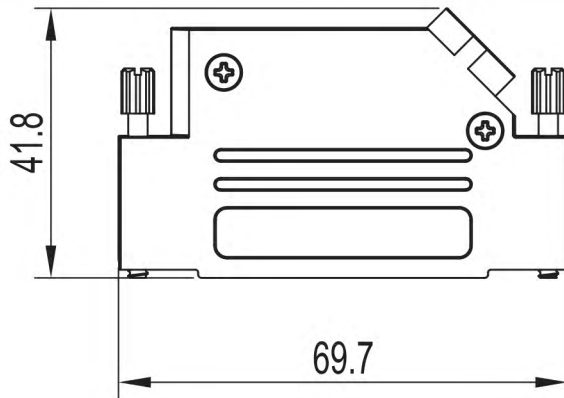
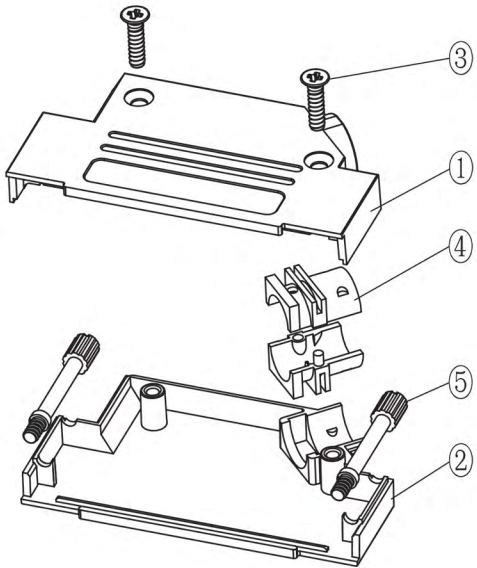
4

5

6

7

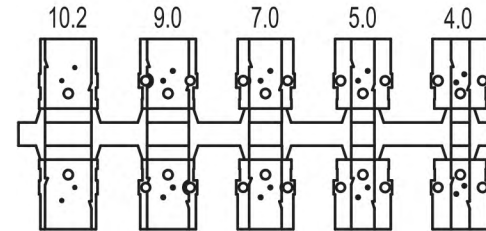
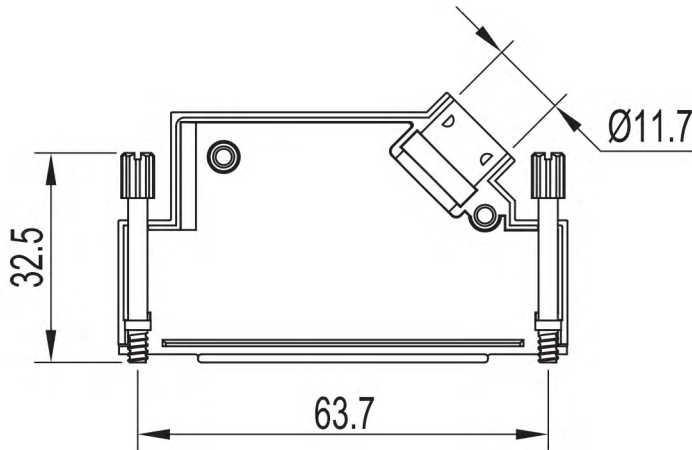
SV4382



**TECHNICAL SPECIFICATIONS**

Material: Zinc  
 Surface/Colour: Black  
 Operating Temperature: -40°C to +120°C  
 Thumbscrews: UNC 4-40

No. of contacts: 09-15-25-37



Grommet Set

Item	QTY	Part description
1	1	Upper Cover
2	1	Lower Cover
3	2	M3x12 CSK Screw
4	1	Grommet Set
5	2	Thumbscrews UNC4-40 x 32.5mm

**RoHS compliant**  
 Unit: mm

Scale	Free						Date	Name	Customer-No.	
TOLERANCE							Drawn	17.08.2017	S.Bölling	ASSMANN WSW-No. <b>ACOV-SUB-37MB25</b>
0~6	±0.10						Approved	17.08.2017	S.Bölling	
6~30	±0.20									
30~120	±0.30									
120~400	±0.50									Drawing-No.
DIM	Tol									<b>ASS_5266_CO</b>
Angle	±1°	Ⓢ	Drawn				17.08.2017	S.Bölling		rev00
Angle	Tol	Id.	Modification							Sheet 4/4



Replace