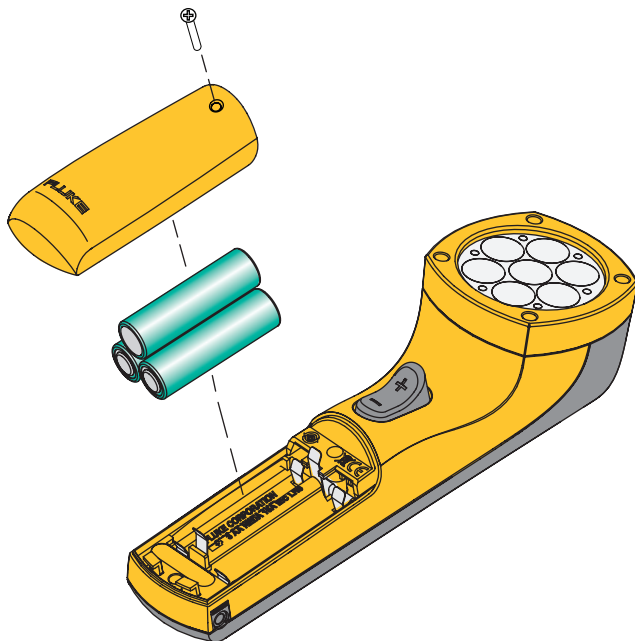




820-2 Stroboscope

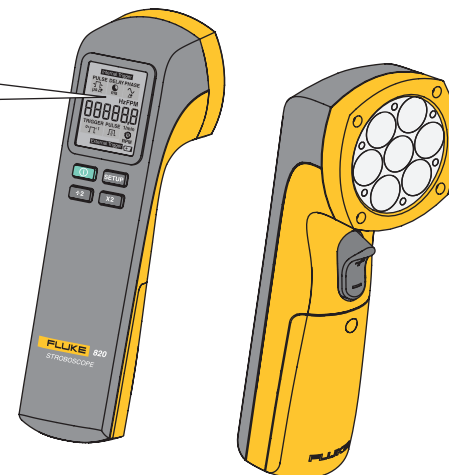
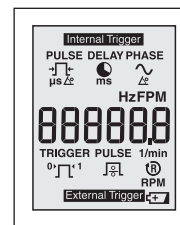
Quick Reference Guide



⚠ Warning

To prevent possible injury read the “820 Safety Sheet” before you use this Product.

Go to www.fluke.com to register your product, download manuals, and find more information.



Basic Operation

1

Internal Trigger

FPM

1000

FLUKE 620 STROBOSCOPE

2

FPM

1000

FLUKE 620 STROBOSCOPE

FPM = Flashes/Minute
RPM = Revolutions/Minute

3

÷2 / X2

Internal Trigger

FPM

2000

FLUKE 620 STROBOSCOPE

Any reference point on shaft.

4

+

Internal Trigger

FPM

1800

RPM 1800 = FPM 1800

5

+

Internal Trigger

FPM

1776

RPM 1776 = FPM 1776

6

X2

Internal Trigger

FPM

3552

7

÷2

Internal Trigger

FPM

1776

Motor Nameplate

MODEL NO. _____

RPM 1800 AMP _____

_____ HZ _____ SFA _____

_____ BRGS _____