

4

3

2

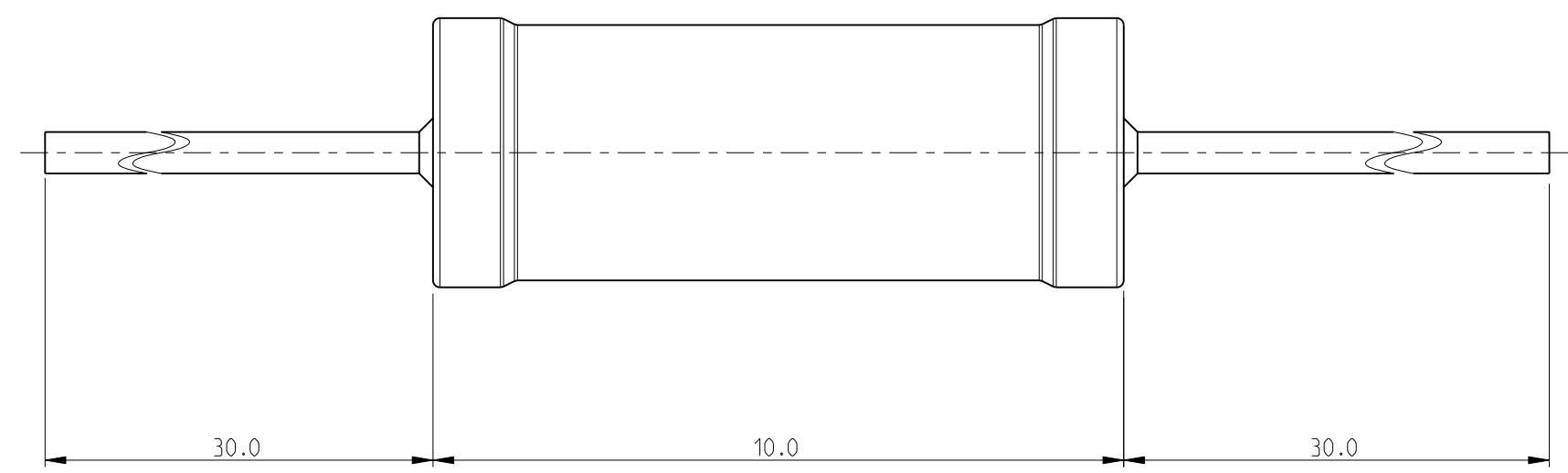
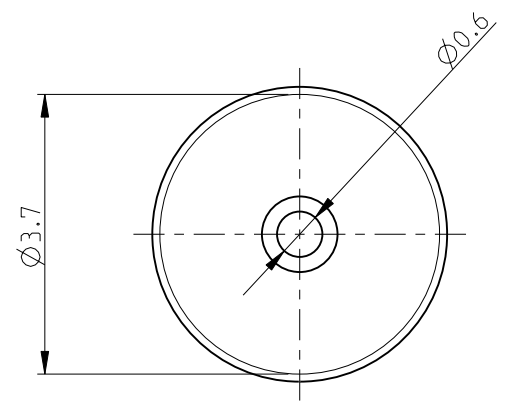
1

THIS DRAWING IS UNPUBLISHED. RELEASED FOR PUBLICATION 2009

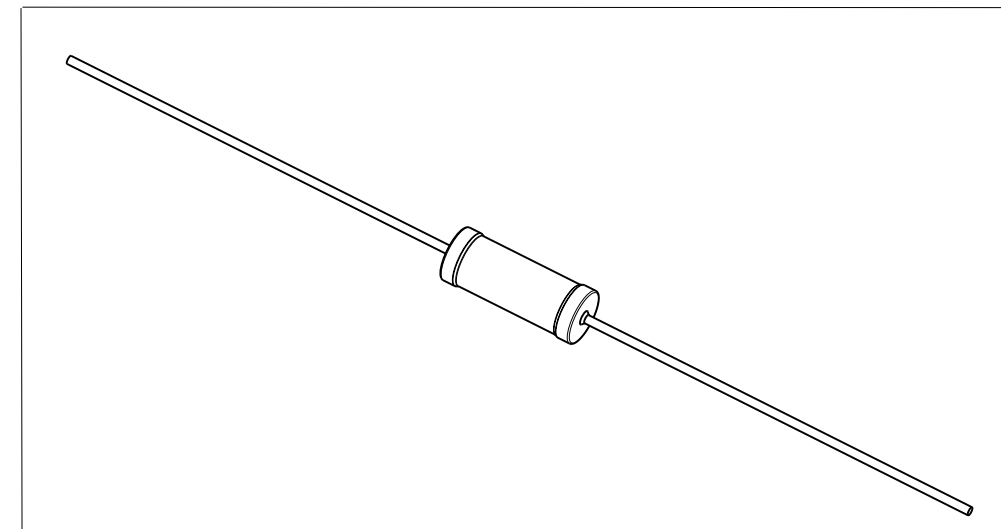
© COPYRIGHT 2009 BY TYCO ELECTRONICS CORPORATION. ALL RIGHTS RESERVED.

LOC		DIST		REVISIONS			
P	LTR	DESCRIPTION		DATE	DWN	APVD	
	BA	NEW RELEASE		29 JUNE 2010	PT	St.P	

FOR FURTHER INFORMATION SEE DATA SHEET FOR SERIES HOLCO, AXIAL LEADED PRECISION RESISTORS



RoHS Compliant



THIS DRAWING IS A CONTROLLED DOCUMENT FOR TYCO ELECTRONICS CORPORATION IT IS SUBJECT TO CHANGE AND THE CONTROLLING ENGINEERING ORGANIZATION SHOULD BE CONTACTED FOR THE LATEST REVISION.

DIMENSIONS:		TOLERANCES UNLESS OTHERWISE SPECIFIED:	
mm			
		0 PLC	± 0.2
		1 PLC	± 0.1
		2 PLC	± -
		3 PLC	± -
		4 PLC	± -
MATERIAL -		ANGLES	± 5°
		FINISH	-

DWN	29 JUNE 2010
CHK	29 JUNE 2010
APVD	29 JUNE 2010
PRODUCT SPEC	-
APPLICATION SPEC	-
WEIGHT	-
CUSTOMER DRAWING	

Tyco Electronics Corporation Dorcan, Swindon, SN3 5HH		NAME AXIAL LEADED PRECISION RESISTORS SERIES HOLCO H4	
SIZE	CAGE CODE	DRAWING NO	RESTRICTED TO
A3	00779	C-1879689	-
SCALE 10:1		SHEET 1 OF 1	REV BA