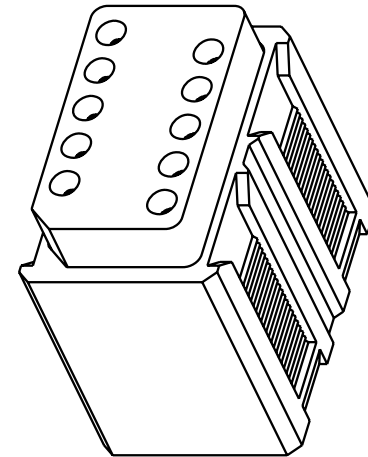
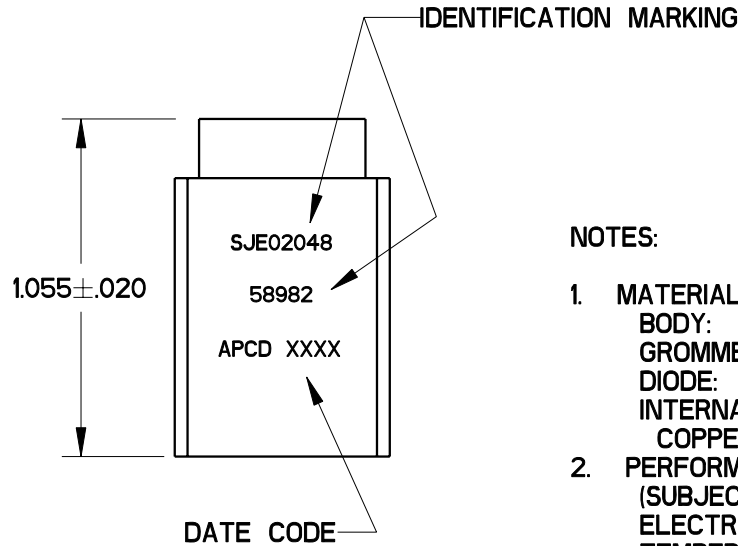
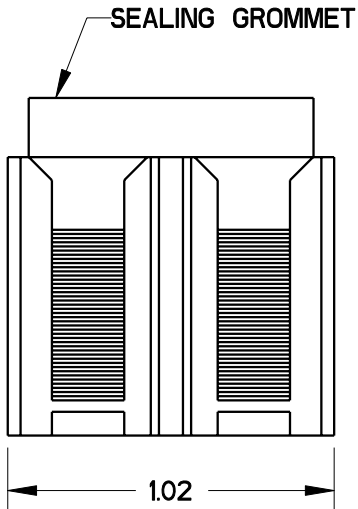
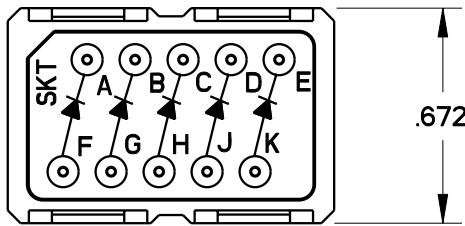


REV	ECN	APP'D
-	6001	JT 1-15-07



**NOTES:**

- MATERIALS:**  
 BODY: POLYETHERIMIDE PER MIL-P-46184.  
 GROMMET: SILICONE BLEND ELASTOMER.  
 DIODE: SEE TABLE  
 INTERNAL PIN CONTACT:  
 COPPER ALLOY, HARD GOLD PLATE PER MIL-G-45204.
- PERFORMANCE SPECIFICATION PER MIL-T-81714.**  
 (SUBJECT TO LIMITATIONS OF THE ELECTRONIC COMPONENTS)  
 TEMPERATURE: -65°C TO 200°C.  
 INSULATION RESISTANCE: 5000 MEGOHMS MIN AT 25°C.  
 DIELECTRIC WITHSTANDING VOLTAGE:  
 1500 VRMS AT SEA LEVEL,  
 AND 200 VRMS AT 100,000 FT. ALTITUDE.  
 CURRENT RATING: 7.5A FOR SIZE 20 CONTACTS.  
 VIBRATION AND SHOCK: PER MIL-T-81714 PARA 3.5.8 & 9.
- MODULE ACCEPTS SOCKET CONTACTS (10) M39029/22-192.
- MODULE TO BE MOUNTED ON M81714/67 RAIL SYSTEM.

CONFIG	DIODE
F-A	1N4007
G-B	1N4007
H-C	1N4007
J-D	1N5406
K-E	1N5406

<b>DIMENSIONS</b> ANSI Y14.5M UNITS: INCHES Pro/E FILE	<b>TOLERANCES</b> .XX ±0.01 .XXX ±0.005 ANGLES ±1.0°	<b>PROJECTION</b> 	<h1>Amphenol Pcd</h1> <p>SPECIFICATION DRAWING</p>		<b>SJE SERIES</b> <b>ELECTRONIC MODULE</b> <b>1N4007, 1N5406 DIODE</b>		
			ENGR J. TON	1-15-07	SIZE <b>A</b>	DWG NO. <b>SJE020048_C</b>	REV -
THIS DOCUMENT CONTAINS PROPRIETARY INFORMATION WHICH IS THE CONFIDENTIAL PROPERTY OF AMPHENOL PCD INC., PEABODY, MA			CHKD	APPD	CODE: 58982	SCALE: 5:3	SHEET 1 OF 1