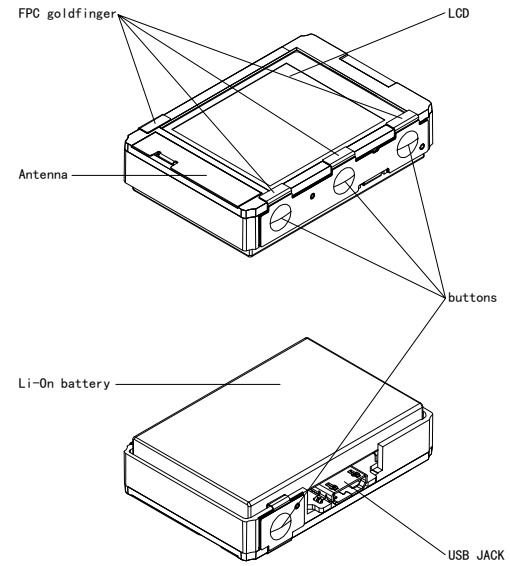
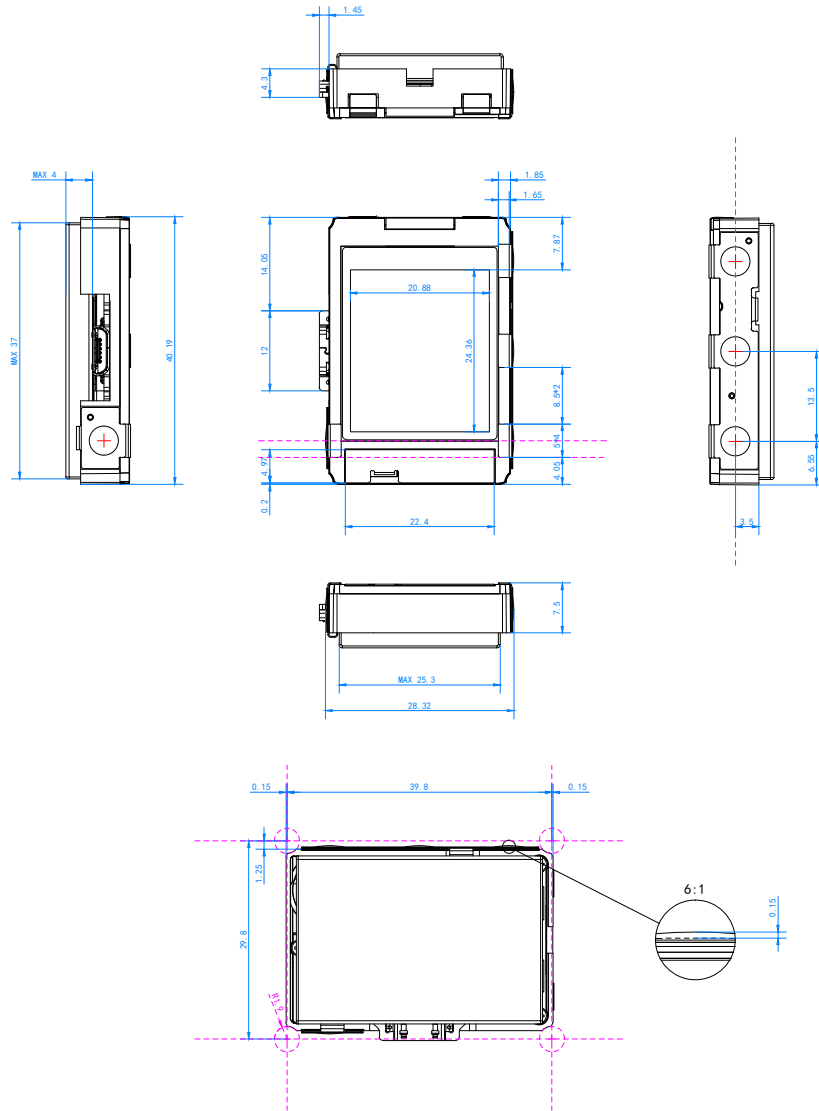


PART NO. / DOC. NO.

REV.	Description	ZONE	DATE	MADE BY	APP BY



TITLE				MODEL NO.	
Assembly drawing				Gena	
MATERIAL:				PART NO. / DOC. NO.	
UNLESS OTHERWISE SPECIFIED: DIMENSIONS ARE IN mm. GENERAL TOLERANCE.				DRAWN	
FINISH:		PROJECTION:		Zhuo	
0°50		+/-0.05		DATE	
50°200		+/-0.10		Aug 30, 08	
CAD REF.:		ANGULAR		CHKD	
200°		+/-0.25°		DATE	
SHEET:		DIMENSION IN MM		APPD	
1/1		SCALE: 1:1		DATE	
Size: A4		Rev: V1.0		Weight (g): 17g	



Focalcrest, Ltd.

