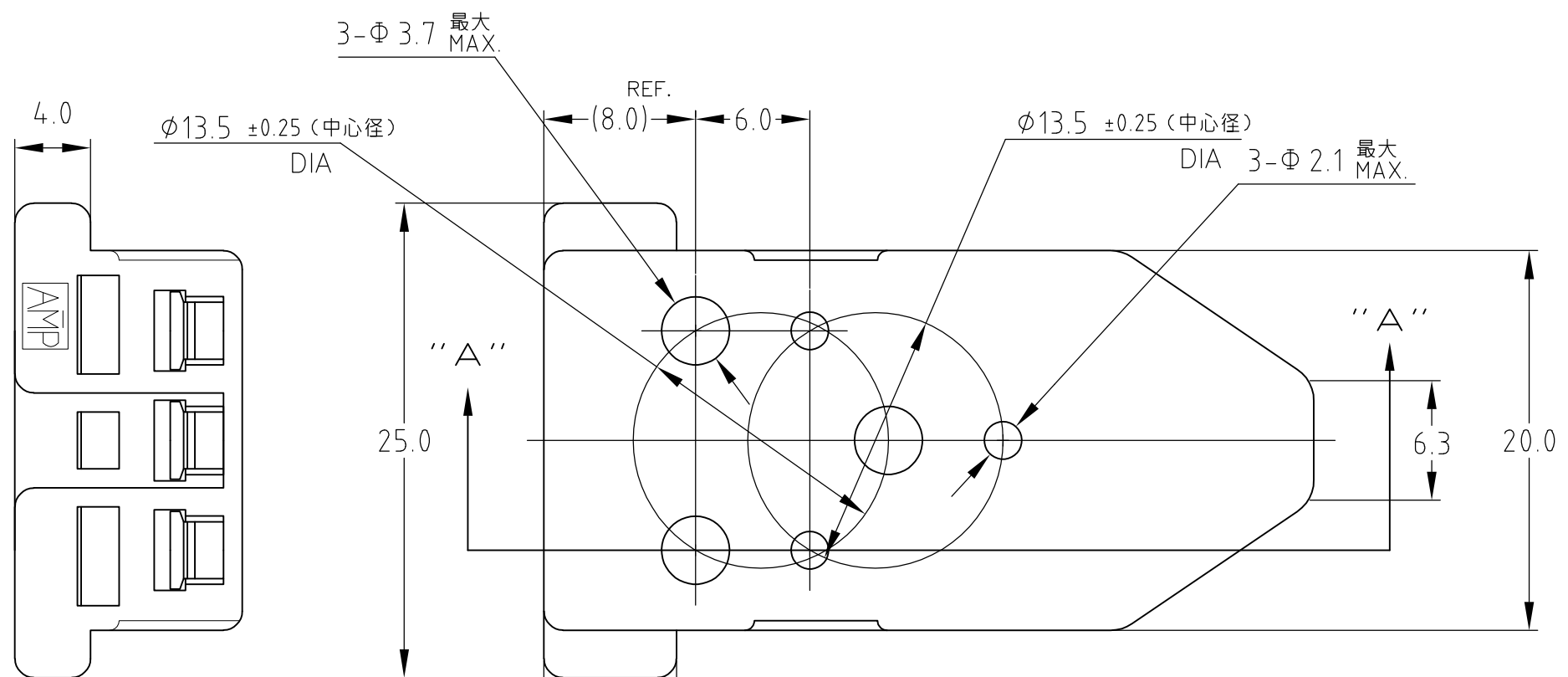


THIS DRAWING IS UNPUBLISHED. RELEASED FOR PUBLICATION OCT. 18 .
 © COPYRIGHT 2002 Tyco Electronics JAPAN G.K. ALL RIGHTS RESERVED.

REVISIONS					
P	LTR	DESCRIPTION	DATE	DWN	APVD
	C1	REVISED PER ECR-16-004471	30MAY2016	K.S	PKS

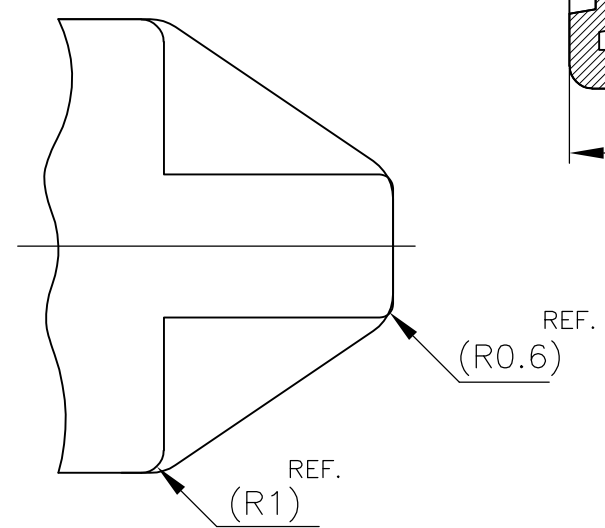
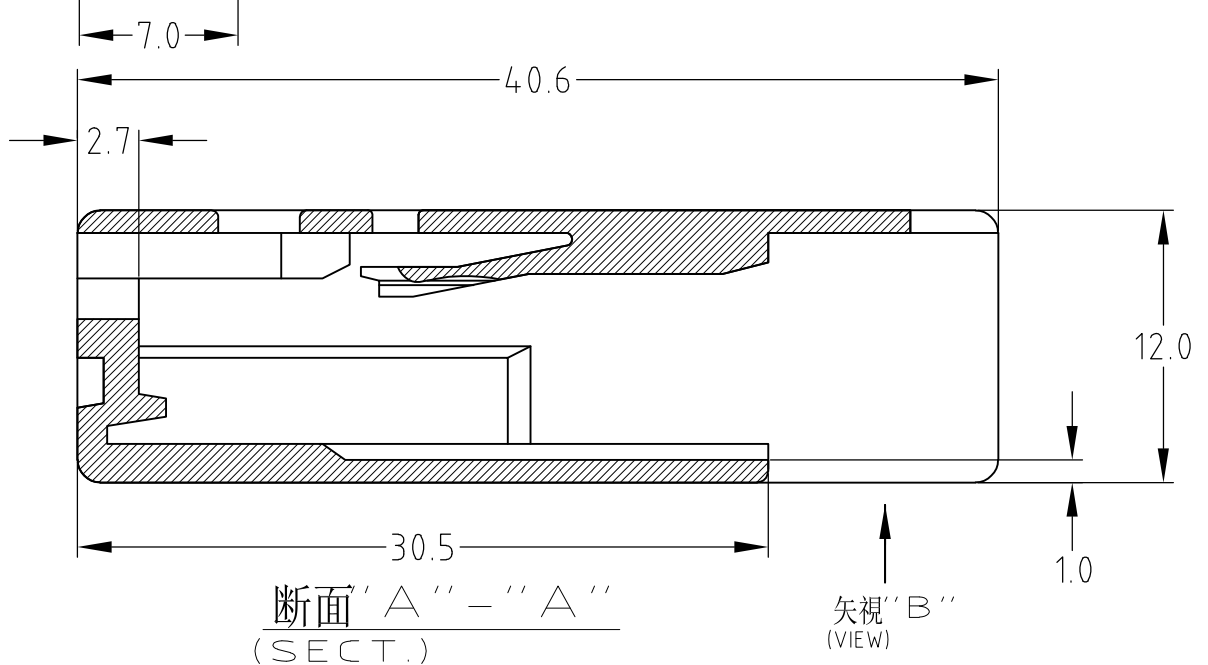


注記

- 1. 適用コンタクト 316294, 316292
- △ 耐加水分解PBT

NOTE;

- 1. APPLICABLE CONTACT : 316294, 316292
- △ MATERIAL; HYDROLYTIC CLEAVAGE RESISTANCE PBT



自然色 (NATURAL)	LCP (UL94V-0)	316293-3
黒 (BLACK)	△ 耐加水分解PBT(ガラス強化) GLASS FILLED (UL94HB)	316293-2
自然色 (NATURAL)	PBT(ガラス強化)(UL94HB) GLASS FILLED	316293-1
色調 (COLOR)	材料 (MATERIAL)	型番 (P/N)

THIS DRAWING IS A CONTROLLED DOCUMENT.	
DIMENSIONS: ??? ? mm	TOLERANCES UNLESS OTHERWISE SPECIFIED: ????
0 PLØ ± 0.3	1 PLC ± -
2 PLC ± -	3 PLC ± -
4 PLØ ± -	ANGLES ± 3 deg
MATERIAL ??	FINISH ??
SEE TABLE	

DWN M.SUZUKI 18OCT02	STE TE Connectivity	
CHK M.SHINDO 18OCT02		
APVD M.SHINDO 18OCT02	NAME ??	3.2Φクラスター・ブロック 3.2DIA CLUSTER BLOCK
PRODUCT SPEC 108-5494	SIZE	
APPLICATION SPEC 114-5215	CAGE CODE	DRAWING NO. C-316293
WEIGHT 0	A300779	RESTRICTED TO -
CUSTOMER DRAWING	SCALE 3:1	SHEET 1 OF 1
		REV C1