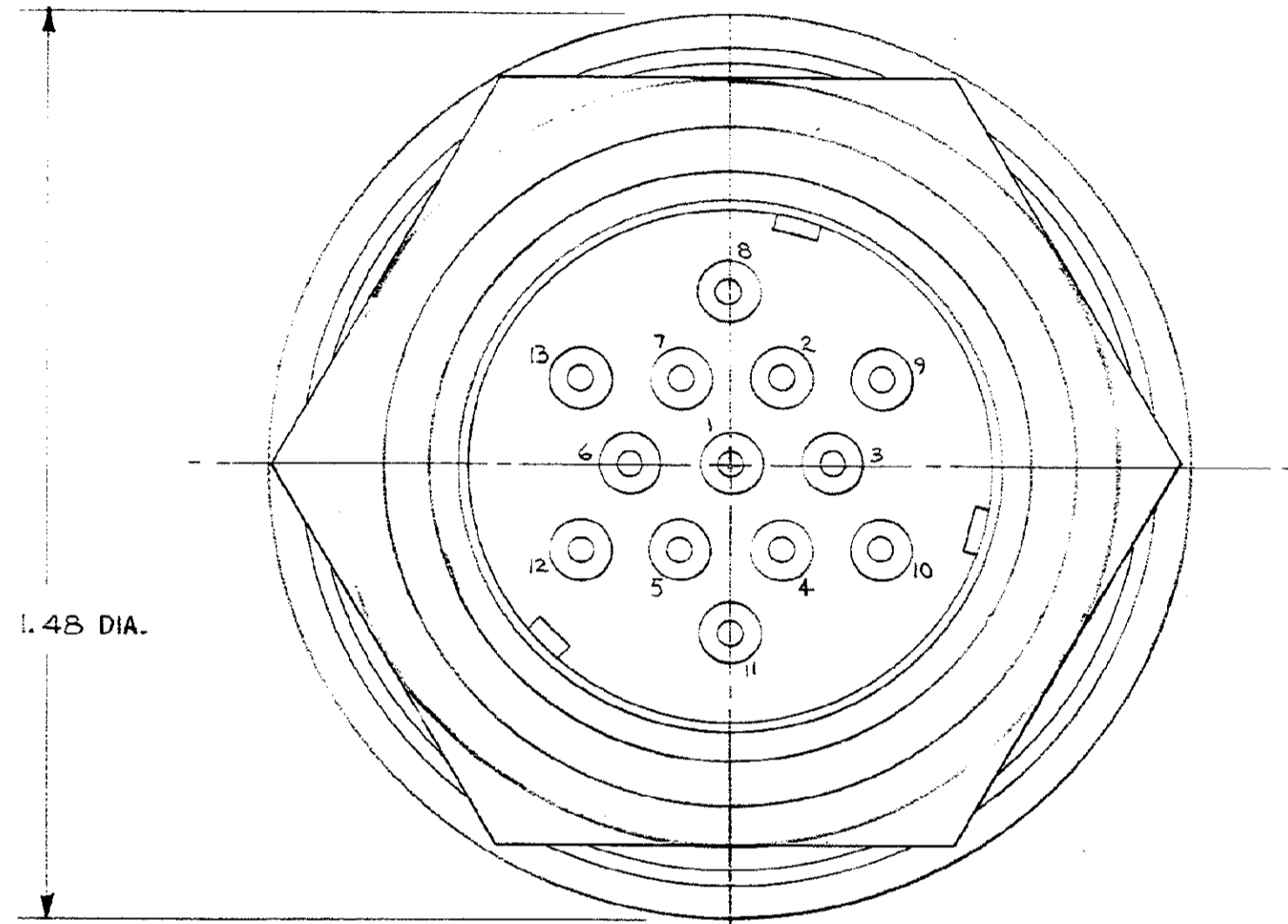
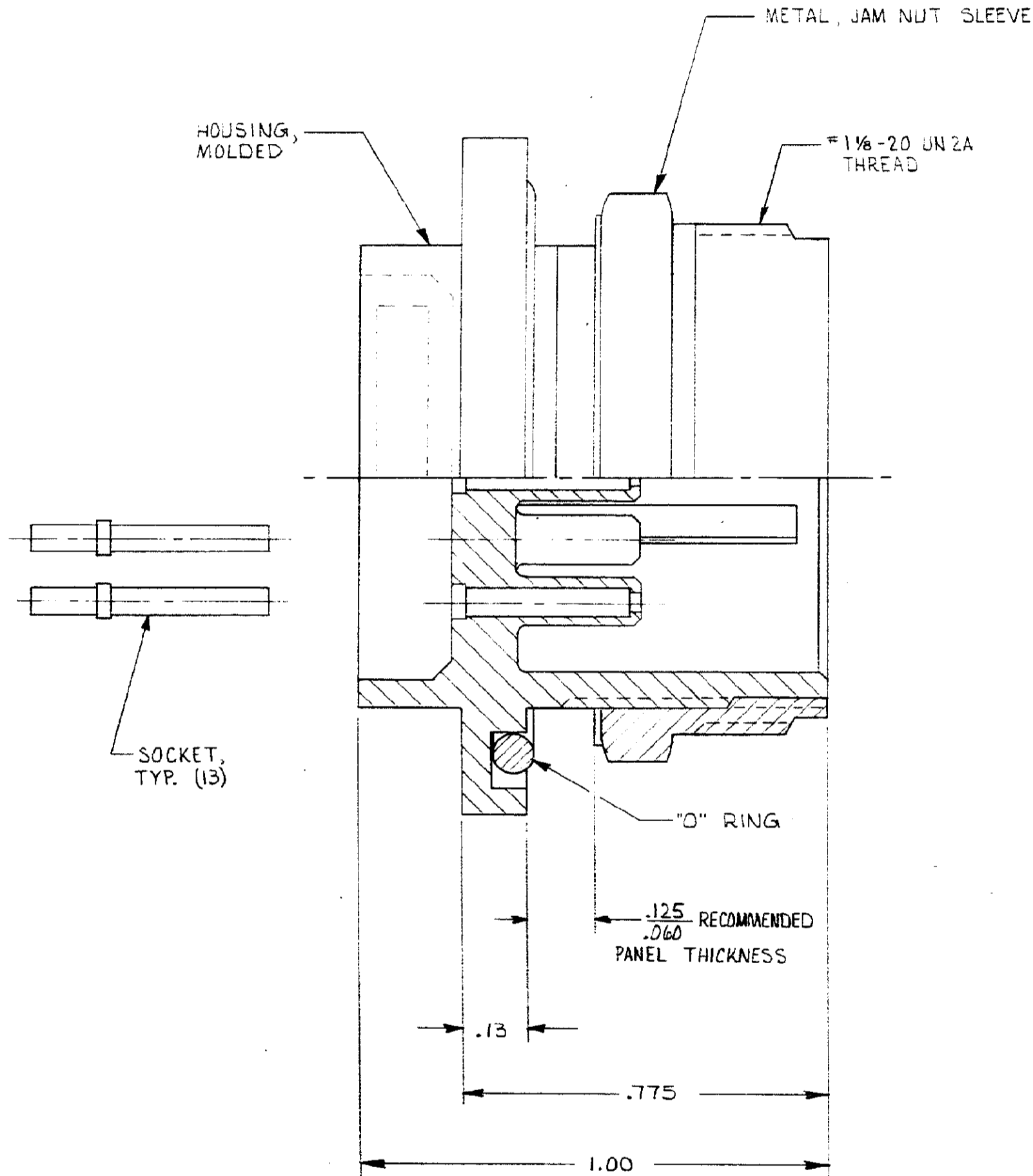


DRAWING MADE IN THIRD ANGLE PROJECTION

© COPYRIGHT 1979 BY AMP INCORPORATED, HARRISBURG, PA.
 ALL INTERNATIONAL RIGHTS RESERVED. AMP INCORPORATED PRODUCTS
 COVERED BY U. S. AND FOREIGN PATENTS AND/OR PATENTS PENDING.

LOC L 37
 DIST 37

REVISIONS						
P	F	ZONE	LTR	DESCRIPTION	DATE	APPROVED
				REF. SD-43975	DS 1-15-79	g.w.saw



865574-1 AS SHOWN

				UNLESS OTHERWISE SPECIFIED DIMENSIONS ARE IN INCHES. TOLERANCES: .00 ± .02 .000 ± .005 ANGLES ±		CONTRACT NO		AMP INCORPORATED Elizabethtown, Pa.	
				MATERIAL		DR DICK STONE 1-15-79		NAME	
				FINISH		CHK		13 PIN CIRCULAR RECEPTACLE KIT	
				NEXT ASSY		APPD g.w.saw 1-16-79		SIZE CODE IDENT NO DRAWING NO	
				USED ON		DSGN APPD		C 00779 865574	
NEXT ASSY				FINAL ASSY		OTHER APPD		SCALE 1/1	
QTY REQ				APPLICATION				SHEET 1/1	