

5

4

3

2

1

DRAWING NO.
26-8016-CUST

REVISIONS

OFFICAL RELEASE

01

08-25-09

T W B Y T

2009.09.0
Betty 08-29-07
+08009

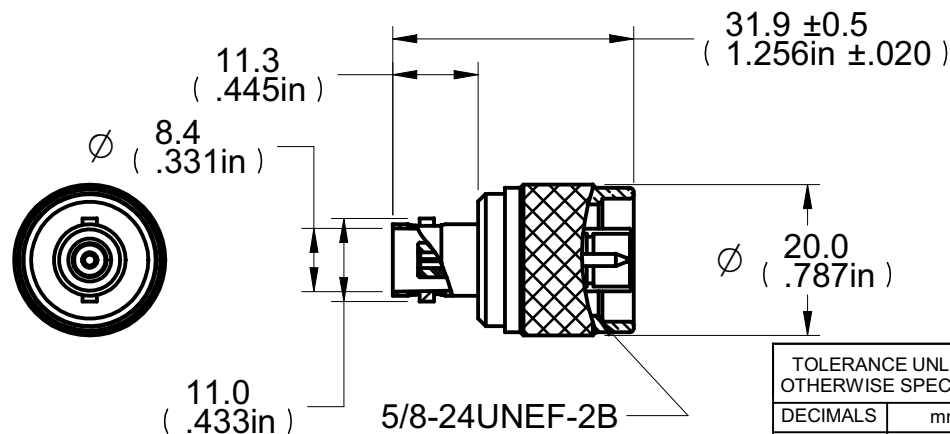
Description: Adapter BNC Jack to N Plug
 Part No: 26-8016
 Application: Adapter
 Crimp Tool: N/A
 Impedance: 50 Ohms
 Fequency Range: 0-4 GHz
 Material: Body Brass Nickel Plated
 Contact Brass Gold Plated
 Insulator Derlin
 Crimp Sleeve Brass Nickel Plated
 Coupling Nut Zinc Nickel Plated

RoHS Compliance: Yes
 Technical Detail: Refer to Emerson Document P/N 27-0000&26-0000



受控 CONTROLLED DOCUMENT

编号 P/N	25-8016-CUST	版本 Rev	01	日期 Rel'd Date	SEP 14,09
-----------	--------------	-----------	----	------------------	-----------



DIM OUTLINE

CUSTOMER COPY



TOLERANCE UNLESS OTHERWISE SPECIFIED		DRAWN BY	DATE
DECIMALS	mm	TERRY.W	08-25-09
X	± 0.5	CHECKED BY	DATE
X.X	± 0.3	TERRY.W	08-25-09
X.XX	± 0.1	APPROVED BY	DATE
ANGLES	± 0.5°	THOMAS	08-25-09
		U/M	mm

TITLE
ADAPTER,N PLUG TO BNC JACK

THIS DRAWING WAS PRODUCED BY COMPUTER,
DO NOT SCALE DRAWING OR UPDATE MANUALLY.

SHEET
1 OF 1

DRAWING NO.
26-8016-CUST

SIZE
A

5

4

3

2

1